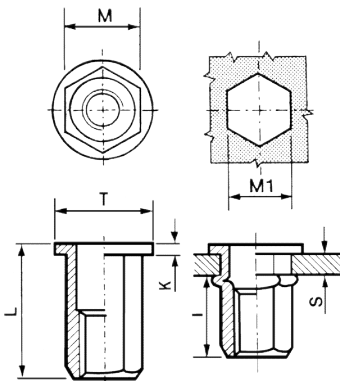


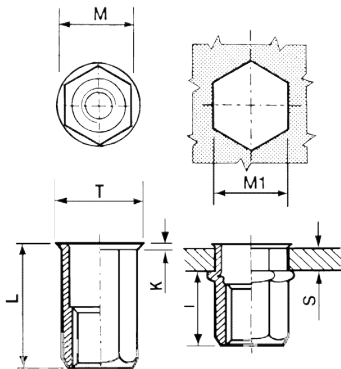




ETCM
CABEZA PLANA


| CODIGO |  | S | M <small>+/-0,07/+0,1</small> | M1 <small>+0,1/-0</small> | T <small>+/-0,3</small> | K <small>+/-0,15</small> | L <small>+/-0,3</small> | I <small>~</small> |  Nm |
|-------------|-----------------------------------------------------------------------------------|-----------|----------------------------------|------------------------------|----------------------------|-----------------------------|----------------------------|-----------------------|----------------------------------------------------------------------------------------|
| ETCM0420FI | M4 | 0,5 - 2,0 | 5,9 | 6 | 9 | 0,8 | 11 | 6,5 | 5 |
| ETCM04_50FI | | 2,0 - 5,0 | | | | | 13,5 | 6,5 | |
| ETCM0525FI | M5 | 0,5 - 3,0 | 6,9 | 7 | 10 | 1 | 14 | 8 | 8,5 |
| ETCM05_50FI | | 3,0 - 6,0 | | | | | 16,5 | 8 | |
| ETCM0630FI | M6 | 0,5 - 3,0 | 8,9 | 9 | 13 | 1,2 | 16 | 9,5 | 15 |
| ETCM06_60FI | | 3,0 - 5,0 | | | | | 19,5 | 8,5 | |
| ETCM0835FI | M8 | 1,0 - 3,5 | 10,9 | 11 | 16 | 1,5 | 17 | 9,5 | 26 |
| ETCM08_60FI | | 3,5 - 6,0 | | | | | 21,5 | 10,5 | |
| ETCM1035FI | M10 | 1,0 - 3,5 | 12,9 | 13 | 18 | 1,7 | 21 | 13,5 | 50 |
| ETCM10_65FI | | 3,5 - 6,5 | | | | | 12,9 | 13 | |
| ETCM1240FI | M12 | 2,0 - 5,0 | 15,9 | 16 | 23 | 2 | 27 | 16,5 | 80 |

ETFM
CABEZA REDUCIDA


| CODIGO |  | S | M <small>+/-0,07/+0,1</small> | M1 <small>+0,1/-0</small> | T <small>+/-0,3</small> | K <small>+/-0,15</small> | L <small>+/-0,3</small> | I <small>~</small> |  Nm |
|--------------|-------------------------------------------------------------------------------------|-----------|----------------------------------|------------------------------|----------------------------|-----------------------------|----------------------------|-----------------------|------------------------------------------------------------------------------------------|
| ETFM0320FI | M3 | 0,5 - 1,5 | 4,9 | 5 | 6 | 0,45 | 8,5 | 5 | 1 |
| ETFM0425FI | M4 | 0,5 - 2,5 | 5,9 | 6 | 7 | 0,5 | 11 | 6,7 | 3 |
| ETFM04_50FI | | 2,5 - 5,0 | | | | | 13,5 | 6,7 | |
| ETFM0530FI | M5 | 0,5 - 3,0 | 6,9 | 7 | 8 | 0,5 | 14,5 | 9 | 6 |
| ETFM05_50FI | | 3,0 - 5,0 | | | | | 16 | 9 | |
| ETFM0635FI | M6 | 1,0 - 3,5 | 8,9 | 9 | 10 | 0,6 | 16 | 10 | 11 |
| ETFM06_60FI | | 3,5 - 6,0 | | | | | 18 | 10 | |
| ETFM0840FI | M8 | 1,0 - 4,0 | 10,9 | 11 | 12 | 0,65 | 18 | 11,5 | 20 |
| ETFM08_60FI | | 4,0 - 6,0 | | | | | 20 | 11,5 | |
| ETFM1035FI | M10 | 1,0 - 3,5 | 12,9 | 13 | 14,5 | 0,75 | 19 | 12,5 | 32 |
| ETFM10_60FI | | 3,5 - 6,0 | | | | | 12,9 | 13 | |
| ETFM1240FI15 | M12 | 1,0 - 4,0 | 14,9 | 15 | 17,5 | 1,1 | 22,5 | - | 50 |
| ETFM1240FI16 | | 1,0 - 5,0 | | | | | 15,9 | 16 | |