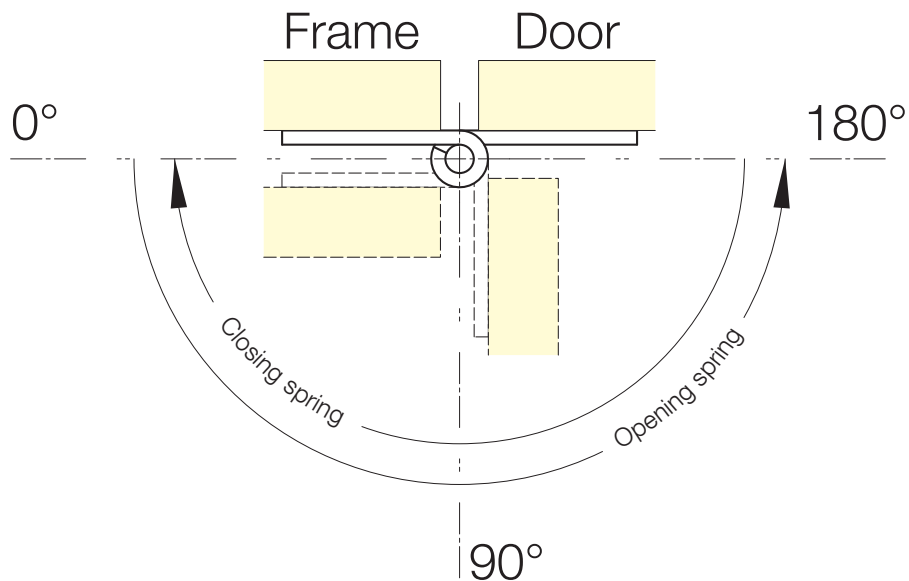


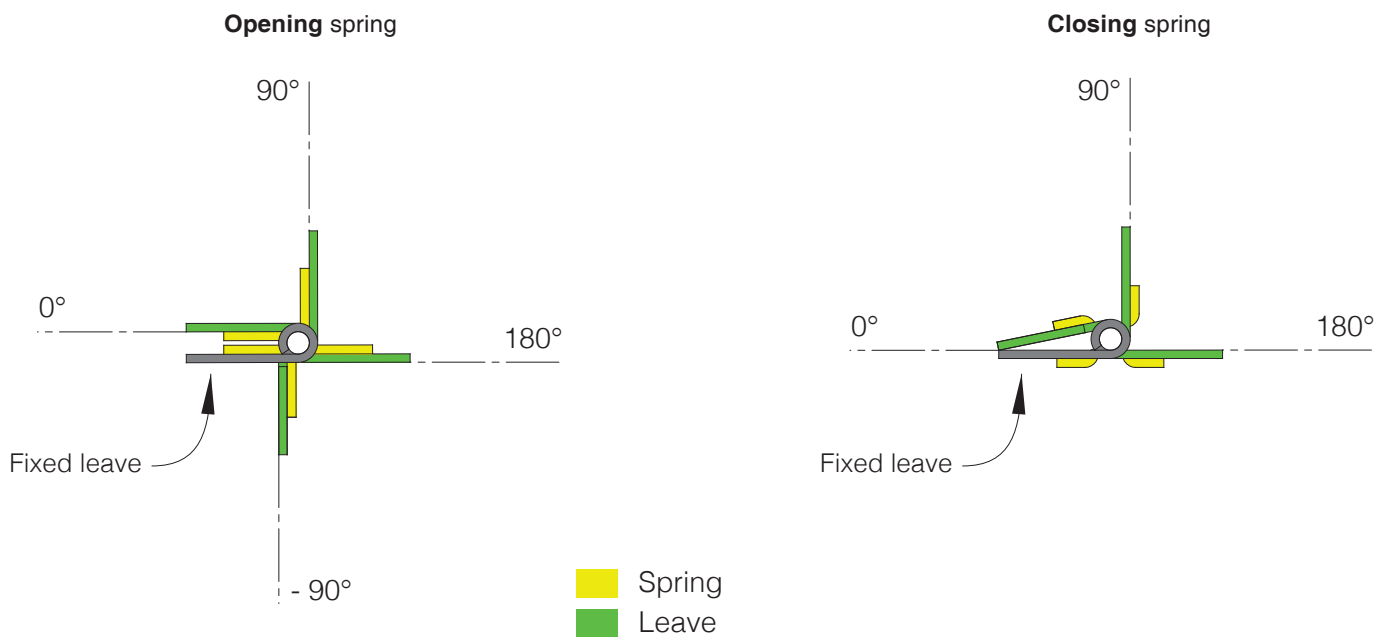
Hinges with dual function

Spring hinges

The way a spring hinge opens relates to the spring type



Angles of opening or closing

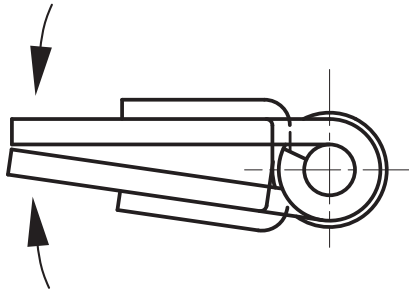


Definition of spring hinge torques

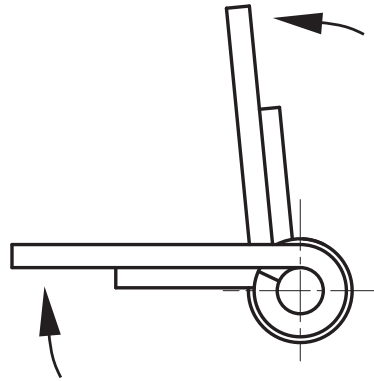
- M:** hinge torque at various positions
- M(0°):** torque when hinge leaves are parallel
- M(90°):** torque when leaves are at 90°
- M(180°):** torque when leaves are at 180°

Spring hinges delivered as shown

When delivered, hinges have the following position:



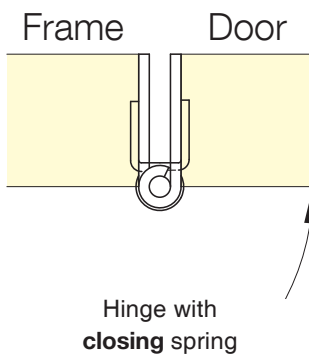
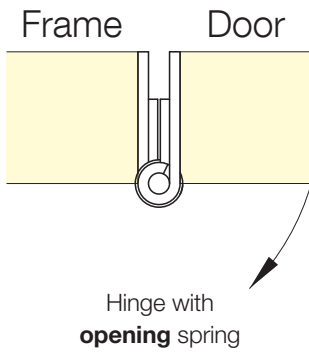
Hinge with **closing** spring



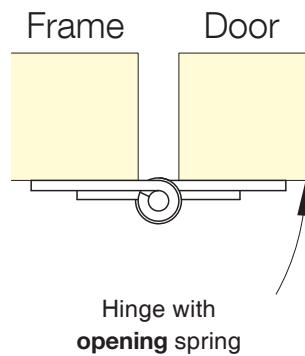
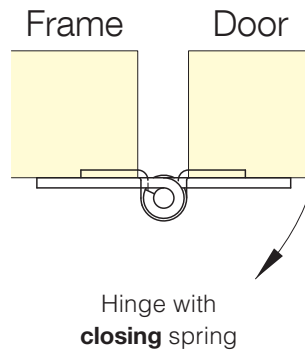
Hinge with **opening** spring

Mouting shows the way doors open

Concealed mounting



Surface mounting



Arrows indicate rotation of hinge due to the effect of the spring