



# HANDLES

410







# HANDLES



412



> Handles PF 94 ..... Page **414 - 415**



> Handles PF 118 ..... Page **414 - 415**



> Handles PF 132 ..... Page **414 - 415**



> Round handles ..... Page **416 - 417**



> Round handles ..... Page **416 - 417**



> Push-in handles ..... Page **418 - 419**




> Round handles PR 20 ..... Page **420 - 421**



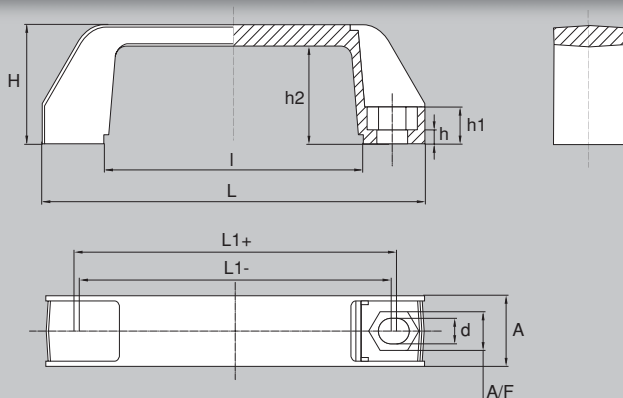
> Round handles PR 30 ..... Page **422 - 423**



> Universal handles .....  ..... Page **424 - 425**



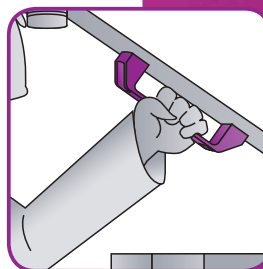
# HANDLES > Handles PF 94 / PF 118 / PF 132



L1-/L1+	L	l	d	For screw	A/F	h	h1	h2	H	A	Unit of sale	Part N°
90 - 94	110,0	72,5	6,5	M6	10	5,0	12,0	30,0	36,0	21,0	50	PF94B
112 - 118	137,0	92,5	8,5	M8	13	5,0	13,5	35,0	42,0	26,0	50	PF118B
126 - 132	151,0	106,5	8,5	M8	13	5,0	13,5	35,0	42,0	26,0	50	PF132B

414

- > For all industrial sectors (furniture, medical, electronics, metal construction...).
- > Fixing with hex screws/nuts (DIN 933, ISO 4017, DIN 934, ISO 4032) or hex socket head screws (DIN 912, ISO 4762).
- > Screw cover included.



## MATERIALS - COLOURS

### STANDARD :

- Black Nylon.

### ON REQUEST :

- White Nylon / Red Nylon / Yellow Nylon / Green Nylon / Blue Nylon / Grey Nylon / or other colours...
- Colours : see RAL colour chart page 510 / 511.  
Minimum quantity on request.





415



White Nylon



Red Nylon



Yellow Nylon



Green Nylon



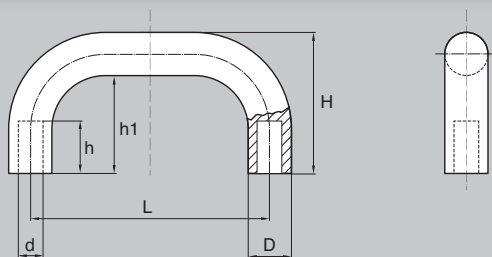
Blue Nylon



Grey Nylon



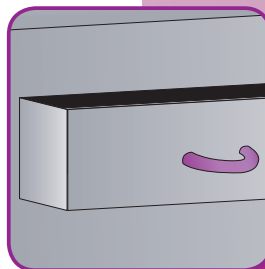
# HANDLES > Round handles



L	d	D	h	h1	H	Form	Material	Unit of sale	Part N°
32,0	3,5	10,0	10,0	16,0	26,0	A	PA	500	P3210B
32,0	3,0	10,0	10,0	13,0	23,0	A	PP	500	P321023X
64,0	3,5	10,0	10,0	21,0	31,0	C	PA	500	P6410B
64,0	3,0	10,0	10,0	23,0	33,0	C	PP	500	P641033X
64,0	3,5	8,0	10,0	15,0	23,0	B	PS	500	PC6408B
64,0	3,5	8,0	10,0	20,0	28,0	B	PS	500	PC640820B
96,0	3,0	8,0	10,0	21,0	29,0	C	PA	500	P9608B
96,0	3,5	11,0	10,0	20,0	31,0	C	PA	500	P9610B
96,0	3,0	10,0	10,0	18,0	28,0	C	PP	500	P961028X
96,0	3,0	10,0	10,0	25,0	35,0	C	PP	500	P961035X
96,0	3,0	15,0	10,0	23,0	38,0	C	PP	500	P961538X
120,0	3,5	8,0	10,0	20,0	28,0	B	PS	500	PC12008B
128,0	3,0	10,0	10,0	25,0	35,0	C	PP	500	P1281035X
128,0	3,0	15,0	10,0	22,0	37,0	C	PP	500	P1281537X

> For all industrial sectors  
(furniture, medical, electronics,  
metal construction...).

> Fixing with self-tapping screw.



## MATERIALS - COLOURS

### STANDARD :

- Black / White.
- PA = Nylon.
- PP = Polypropylene.
- PS = Polystyrol.

### ON REQUEST :

- White / Red / Yellow / Green / Blue / Grey / or other colours...
- Colours : see RAL colour chart page 510 / 511.  
Minimum quantity on request.

Form A >>



<< Form B



Form C >>



417



White



Red



Yellow



Green



Blue

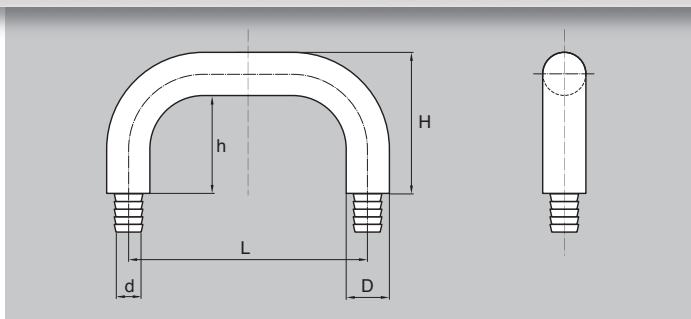


Grey





# HANDLES > Push-in handles



L	d	D	h	H	Material	Unit of sale	Part N°
32,0	8,0	10,0	16,0	26,0	PA	500	P13210B
64,0	8,0	10,0	21,0	31,0	PA	500	P16410B
96,0	8,0	10,0	20,0	30,0	PA	500	P19610B

418

> For all industrial sectors (furniture, medical, electronics, metal construction...).

> Push-in to fit.

> Hole diameter to be determined according to the material to be drilled.



## MATERIALS - COLOURS

### STANDARD :

- Black / White.
- PA = Nylon.

### ON REQUEST :

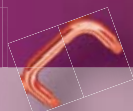
- Red Nylon / Yellow Nylon / Green Nylon / Blue Nylon / Grey Nylon / or other colours...
- Colours : see RAL colour chart page 510 / 511.  
Minimum quantity on request.



419



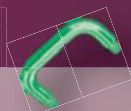
White Nylon



Red Nylon



Yellow Nylon



Green Nylon



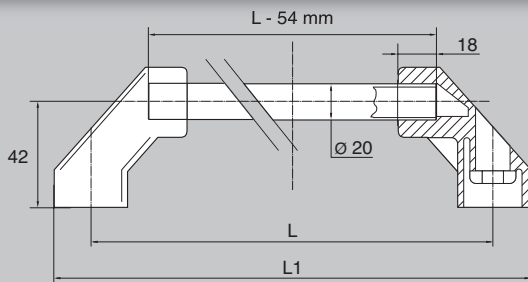
Blue Nylon



Grey Nylon



# HANDLES > Round handles PR 20



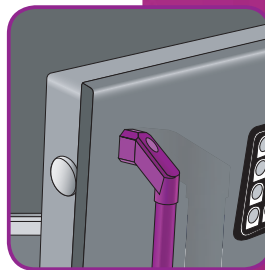
L	L1	Unit of sale	Part N° Aluminium tube	Part N° Plastic tube
150	180	100	PR20A150	PR20PL150
180	210	100	PR20A180	PR20PL180
200	230	100	PR20A200	PR20PL200
250	280	100	PR20A250	PR20PL250
300	330	100	PR20A300	PR20PL300
350	380	100	PR20A350	PR20PL350
400	430	100	PR20A400	PR20PL400
500	530	100	PR20A500	PR20PL500
600	630	100	PR20A600	PR20PL600
-	-	200	Fixing housings only - Part N° PR20 embout.	

> For all industrial sectors  
(furniture, medical, electronics,  
metal construction...)

> Other lengths on request.

> Fixing with screw DIN 933,  
ISO 4017 (hex head).

> Screw cover included.



## MATERIALS - COLOURS

### STANDARD :

- Black nylon (fixing housings).  
+ Black PVC (tube).
- Black nylon (fixing housings).  
+ Aluminium (tube).

### ON REQUEST :

- Fixing housings White / Red / Yellow / Green / Blue / Grey / or other colours...
- Colours : see RAL colour chart page 510 / 511.  
Minimum quantity on request.



421



White



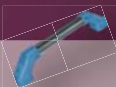
Red



Yellow



Green



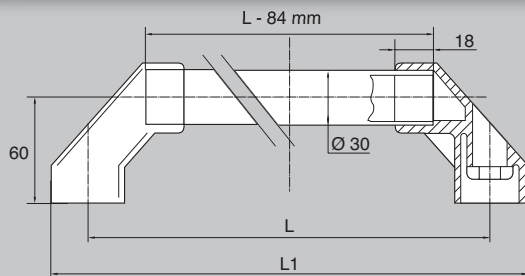
Blue



Grey



# HANDLES > Round handles PR 30



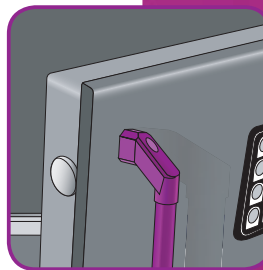
L	L1	Unit of sale	Part N° Aluminium tube	Part N° Plastic tube
150	190	100	PR30A150	PR30PL150
180	220	100	PR30A180	PR30PL180
200	240	100	PR30A200	PR30PL200
250	290	100	PR30A250	PR30PL250
300	340	100	PR30A300	PR30PL300
350	390	100	PR30A350	PR30PL350
400	440	100	PR30A400	PR30PL400
500	540	100	PR30A500	PR30PL500
600	640	100	PR30A600	PR30PL600
-	-	200	Fixing housings only - Part N° PR30 embout.	

> For all industrial sectors  
(furniture, medical, electronics,  
metal construction...)

> Other lengths on request.

> Fixing with screw DIN 933,  
ISO 4017 (hex head).

> Screw cover included.



## MATERIALS - COLOURS

### STANDARD :

- Black nylon (fixing housings).  
+ Black PVC (tube).
- Black nylon (fixing housings).  
+ Aluminium (tube).

### ON REQUEST :

- Fixing housings White / Red / Yellow / Green / Blue / Grey / or other colours...
- Colours : see RAL colour chart page 510 / 511.  
Minimum quantity on request.





423



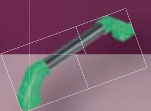
White



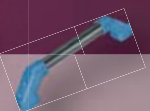
Red



Yellow



Green



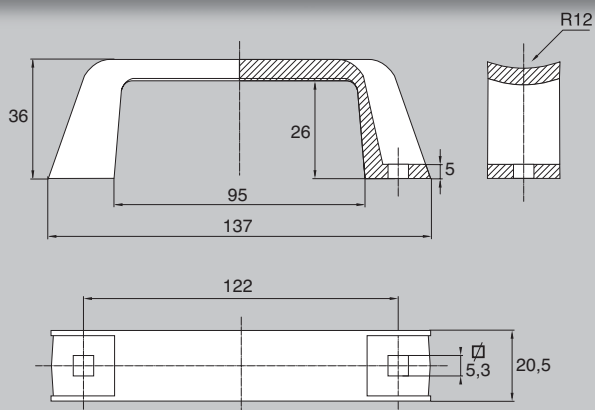
Blue



Grey



# HANDLES > Universal handles

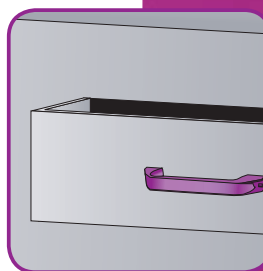


Colour	RAL	Unit of sale	Part N°
Black	-	100	PU122B
White	-	100	PU122C
Red	3020	100	PU122RAL3020
Blue	5015	100	PU122RAL5015
Grey	7035	100	PU122RAL7035

424

> For all industrial sectors  
(furniture, medical, electronics,  
metal construction...)

> Fixing with screw M5 – DIN 912,  
DIN 933, DIN 84, DIN 85  
or DIN 603



## MATERIALS - COLOURS

### STANDARD :

- Black Nylon / White Nylon / Red Nylon RAL 3020  
Blue Nylon RAL 5015  
Grey Nylon RAL 7035.

### ON REQUEST :

- Yellow Nylon / Green Nylon / or other colours...
- Colours : see RAL colour chart page 510 / 511.  
Minimum quantity on request.



425



White Nylon



Red Nylon



Yellow Nylon



Green Nylon



Blue Nylon



Grey Nylon

