















SUPPORT STAYS

	Support stays with automatic release - small size	315
	Support stay with automatic release - 239 mm long	315
	Support stays with automatic release in stainless steel	316
	Support stay with automatic release - 495 mm long	316
	Support stays with manual release	317
	Bracket	317
	Multi-angle lid stay with lock	318
	Support stay	319

LID STAYS

	Heavy duty spring loaded stay	320
NEW 	Stay with safety stop	321
	Black zinc plated stays A	322
	Black zinc plated stays B	322
	Stays without bracket	323
	Zinc plated stays	323


NEW







Folding bracket

324







DOOR HOLDER

	Door holders	325
--	--------------	-----

RECESSED HOOKS

NEW 	Soft closing recessed hook	326
NEW 	Bracket for soft closing recessed hook	326
NEW 	Spring loaded recessed hook	327
NEW 	Bracket for spring loaded recessed hook	327

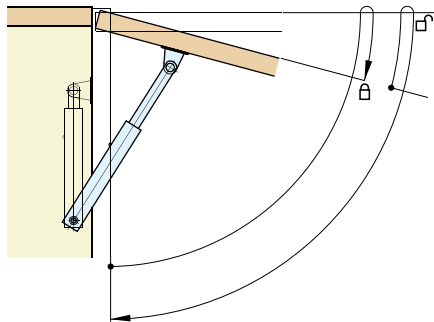
TELESCOPIC SLIDES

	Aluminium mini slides	328
	3/4 extension ball-bearing slide (2 pieces), front disconnect	329
	Full extension ball-bearing slide (3 pieces), front disconnect and positive lock	330
	Full extension ball-bearing slide (3 pieces), front disconnect and positive stop	331
	Heavy duty, full extension ball-bearing slide (3 pieces), front disconnect and positive stop	332
NEW 	Full extension ball-bearing slide (3 pieces), soft-closing	333



Support stays

Support stays with automatic release

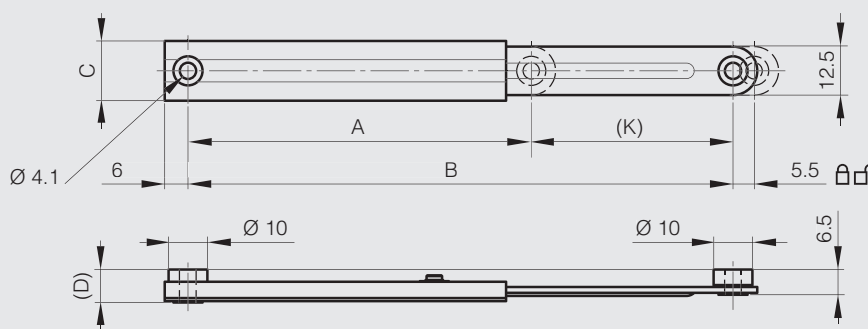


Support stays with automatic release - small size

Load capacity: 6 kg.



Part number	Material	Finish	A	B	C	D	K	Weight (g)
24-7-3577	304 stainless steel	raw	67	100	15.4	8.8	32	10
24-7-3571	304 stainless steel	raw	88	140	15.4	8.8	52	40



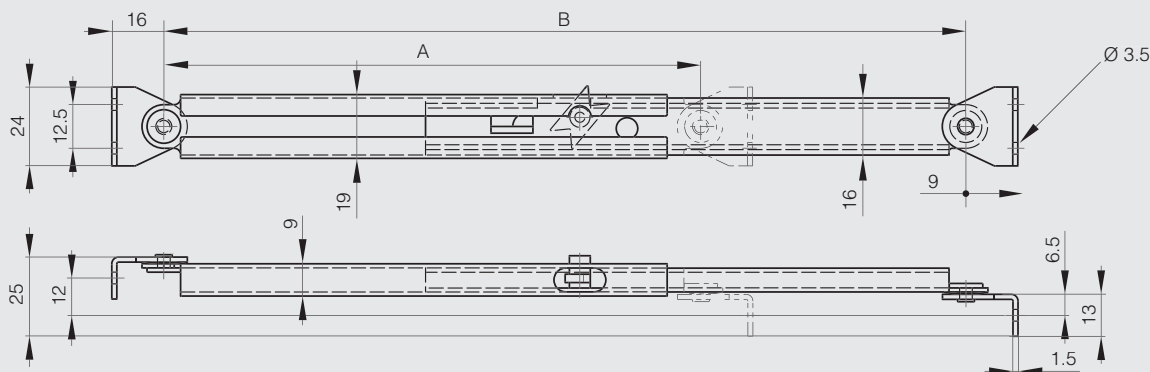
Support stay with automatic release - 239 mm long

A = closed dimension.

B = extended dimension.



Part number	Material	Finish	A	B	Weight (g)
24-7-3542	steel	zinc plated	159	239	112

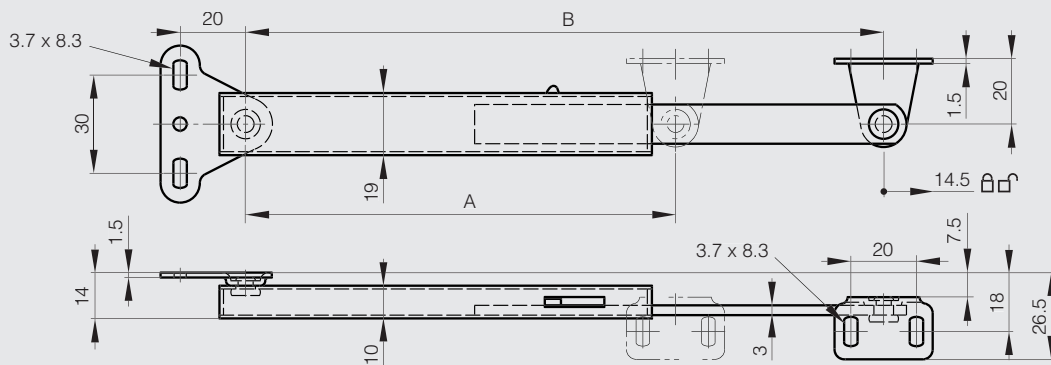


Support stays with automatic release in stainless steel

Load capacity: 15 kg.

STAINLESS
STEEL

Part number	Material	Finish	A	B	Weight (g)
24-7-3552	304 stainless steel	satin	133	195	125
24-7-3553	304 stainless steel	satin	170	270	150



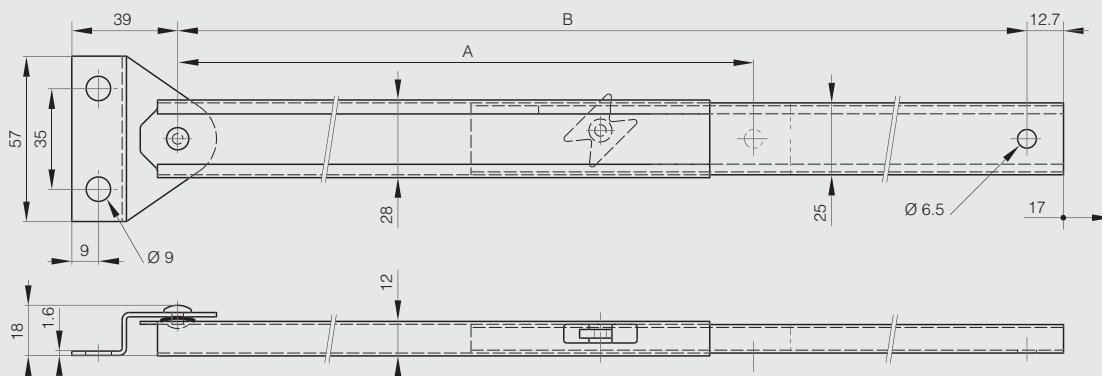
Support stay with automatic release - 495 mm long

A = closed dimension.

B = extended dimension.

STEEL RoHS

Part number	Material	Finish	A	B	Weight (g)
24-7-3543	steel	zinc plated	290	495	300





Support stays with manual release



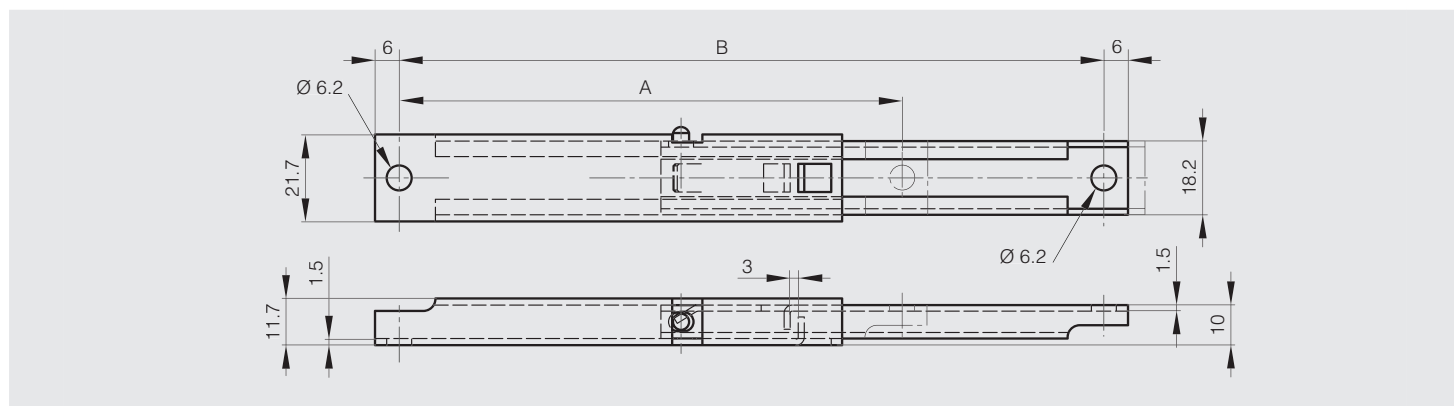
A = closed dimension.

B = extended dimension.

Load capacity: 50 kg.

Push button release.

Part number	Material	Finish	A	B	Weight (g)
24-1-3558	304 stainless steel	raw	125	175	101
24-1-3559	304 stainless steel	raw	150	225	125
24-1-3560	304 stainless steel	raw	175	275	145



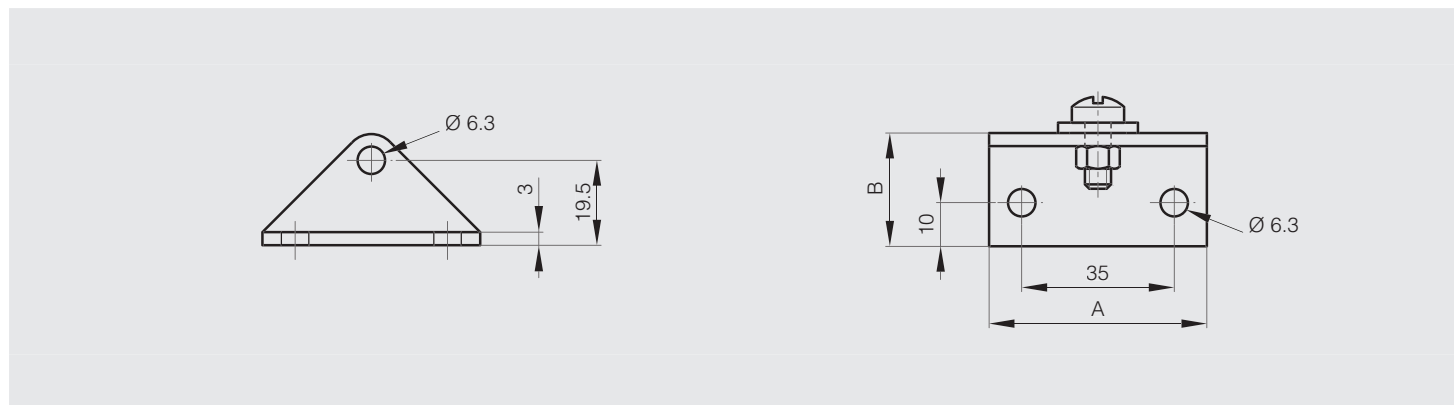
Bracket

Complete with M6 screw, M6 nut and 3 mm thick washer.

For part numbers 24-1-3558, 24-1-3559 and 24-1-3560.



Part number	Material	Finish	A	B	Weight (g)
99-1-3558	stainless steel	raw	50	26	54





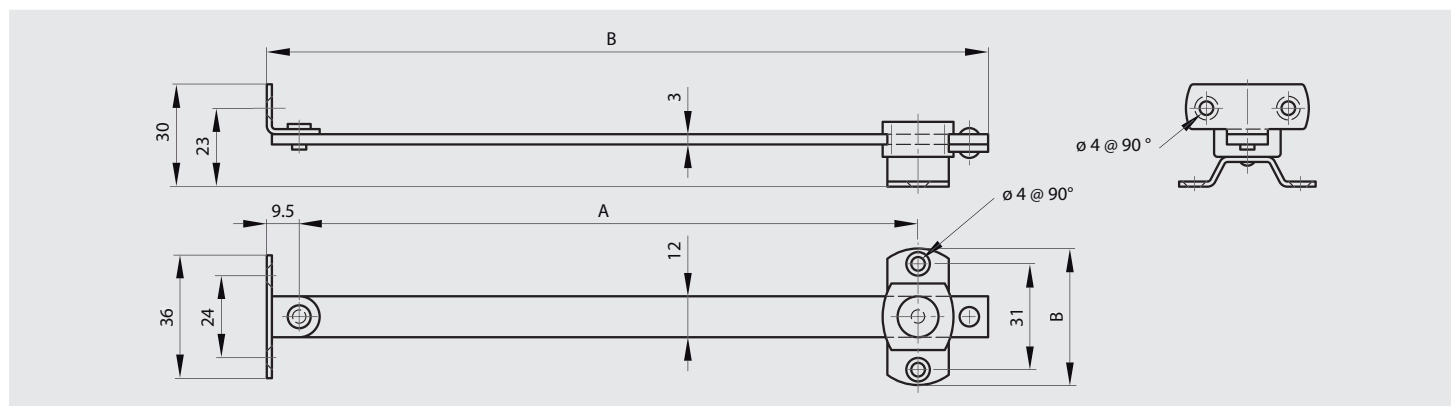
Support stay

Support stay

For holding lids or panels in open position (vertical to horizontal).



Part number	Material	Finish	A	B	Weight (g)
24-7-3546	304 stainless steel	satin	210	180	89.5
24-7-3547	304 stainless steel	satin	240	210	94.5
24-7-3548	304 stainless steel	satin	270	240	106.5





Heavy duty spring loaded stay



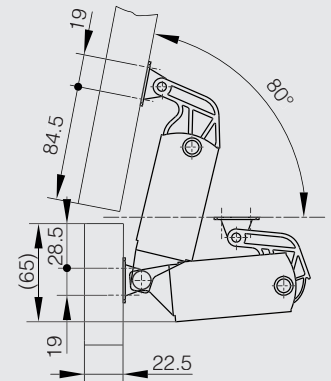
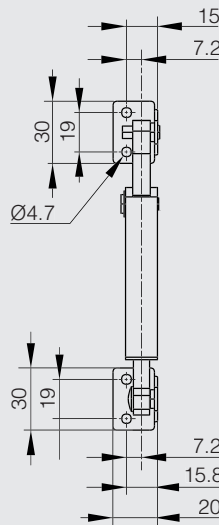
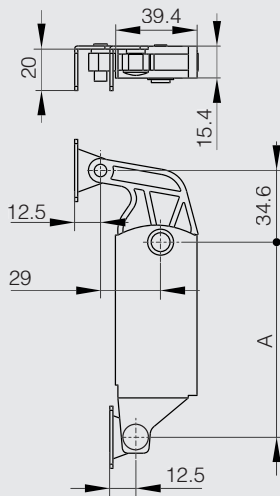
- Spring mechanism assists in lifting door and holds in open position (10° to 80°).
- Can be installed individually or in pairs.
- Non-handed: can be installed on left or right side.
- Torque calculation:

Torque (N.m) = H(m) x 1/2 x W (kg) x 9.8 with:

- H = door height (m).
- W = door weight (kg).



Part number	Material	Finish	A	Torque	Weight (g)
24-7-3579	430 stainless steel	raw	94.2	8.8 - 11.8 N.m	195



Easy Operation with power assist



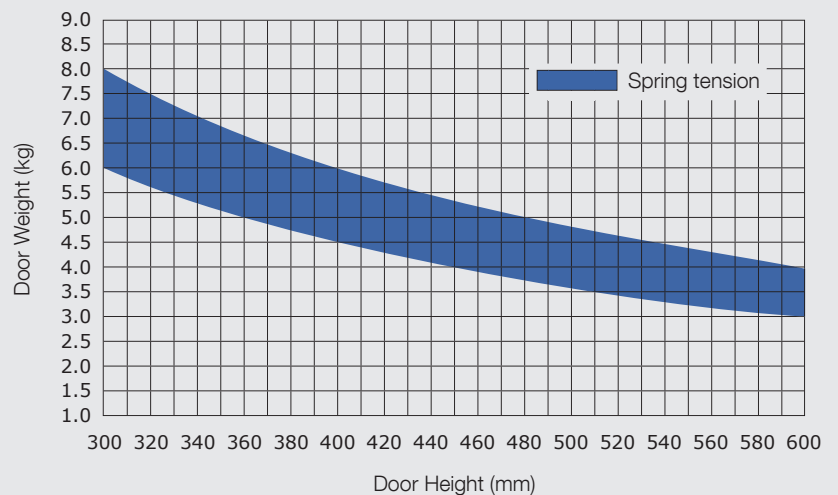
Free stop



Compact



Selection graph



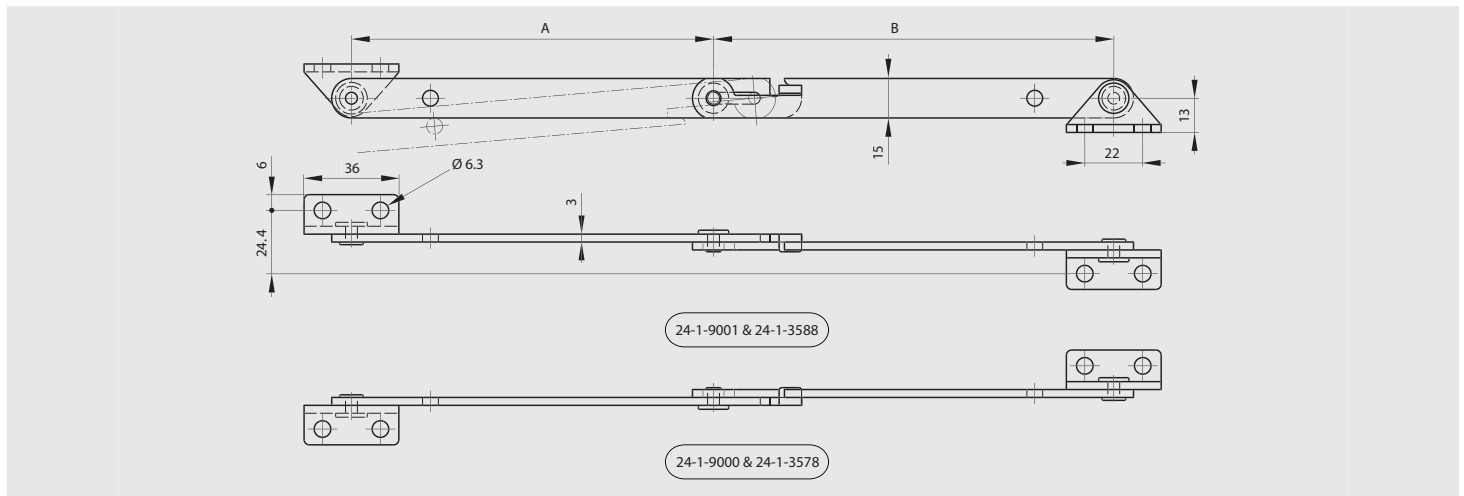


Stay with safety stop



STAINLESS STEEL STEEL RoHS

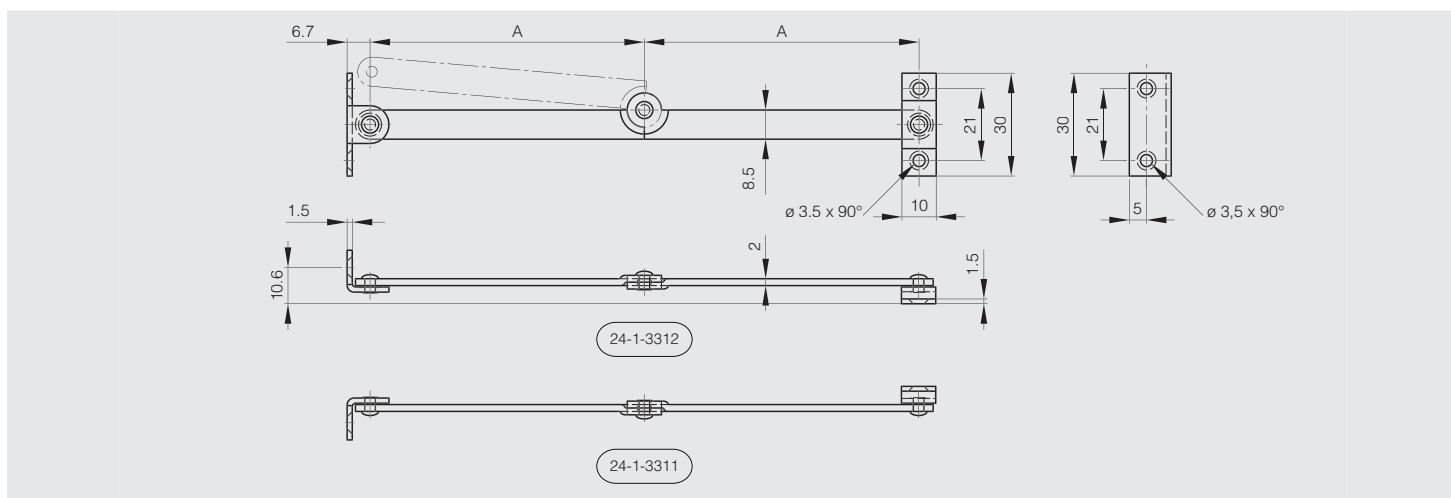
	Part number	Material	Finish	A	B	Weight (g)
NEW	24-1-3578	steel	zinc plated	139	151	148
NEW	24-1-3588	steel	zinc plated	139	151	148
	24-1-9000	304 stainless steel	raw	139	151	148
	24-1-9001	304 stainless steel	raw	139	151	148



Black zinc plated stays A

STEEL  RoHS

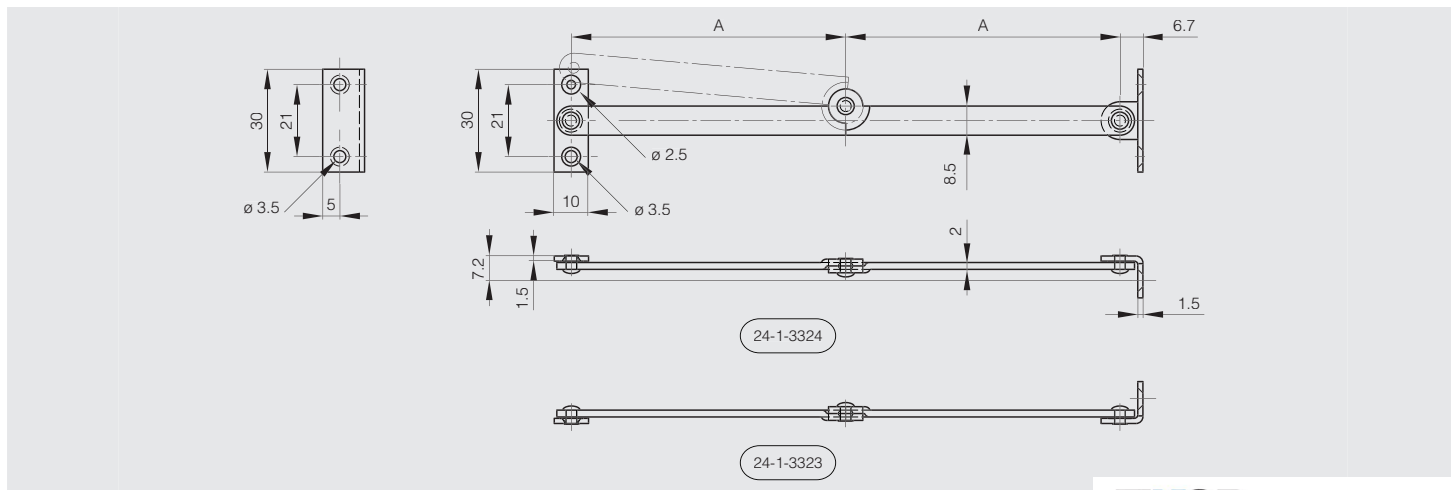
Part number	Material	Finish	A	Weight (g)
24-1-3311	steel	black zinc plated	80	33.5
24-1-3312	steel	black zinc plated	80	33.5



Black zinc plated stays B

STEEL  RoHS

Part number	Material	Finish	A	Weight (g)
24-1-3323	steel	black zinc plated	80	33
24-1-3324	steel	black zinc plated	80	33



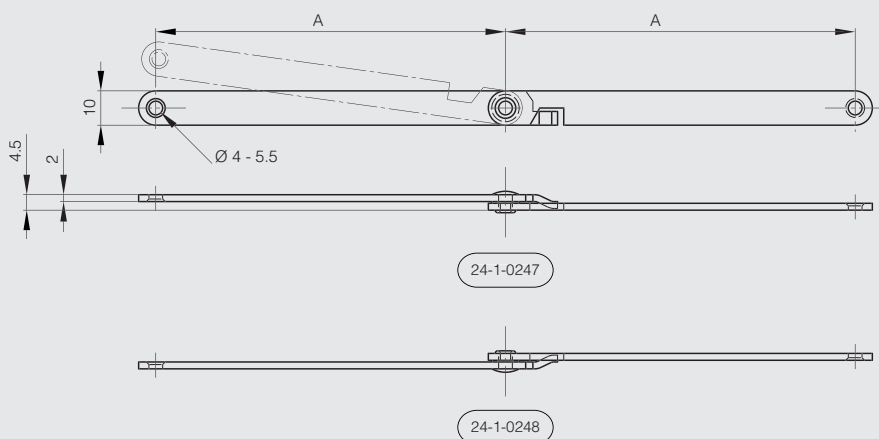


Lid stays

Stays without bracket



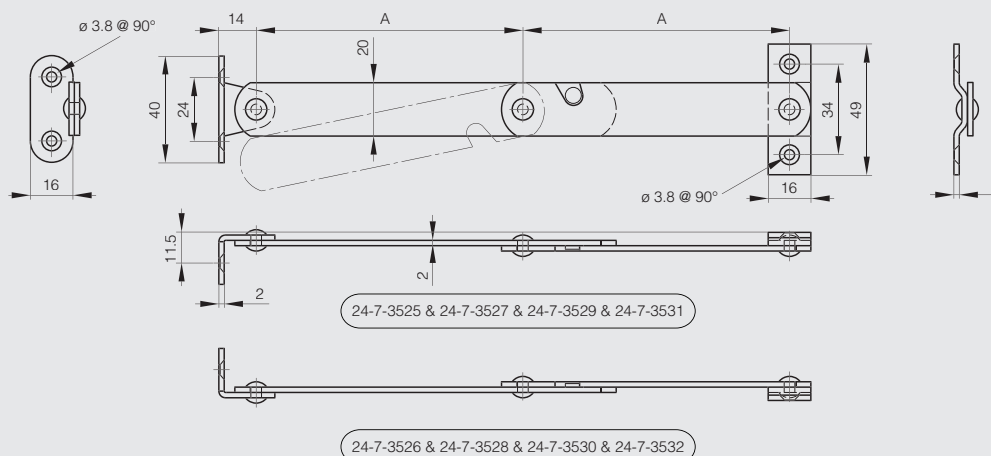
Part number	Material	Finish	A	Weight (g)
24-1-0247	304 stainless steel	polished	102	35
24-1-0248	304 stainless steel	polished	102	35



Zinc plated stays



Part number	Material	Finish	A	Weight (g)
24-7-3525	steel	zinc plated	125	116
24-7-3526	steel	zinc plated	125	116
24-7-3527	steel	zinc plated	150	133
24-7-3528	steel	zinc plated	150	133
24-7-3529	steel	zinc plated	175	152
24-7-3530	steel	zinc plated	175	152
24-7-3531	steel	zinc plated	200	167
24-7-3532	steel	zinc plated	200	167





Folding bracket



Automatically locks when flap is in opened position.

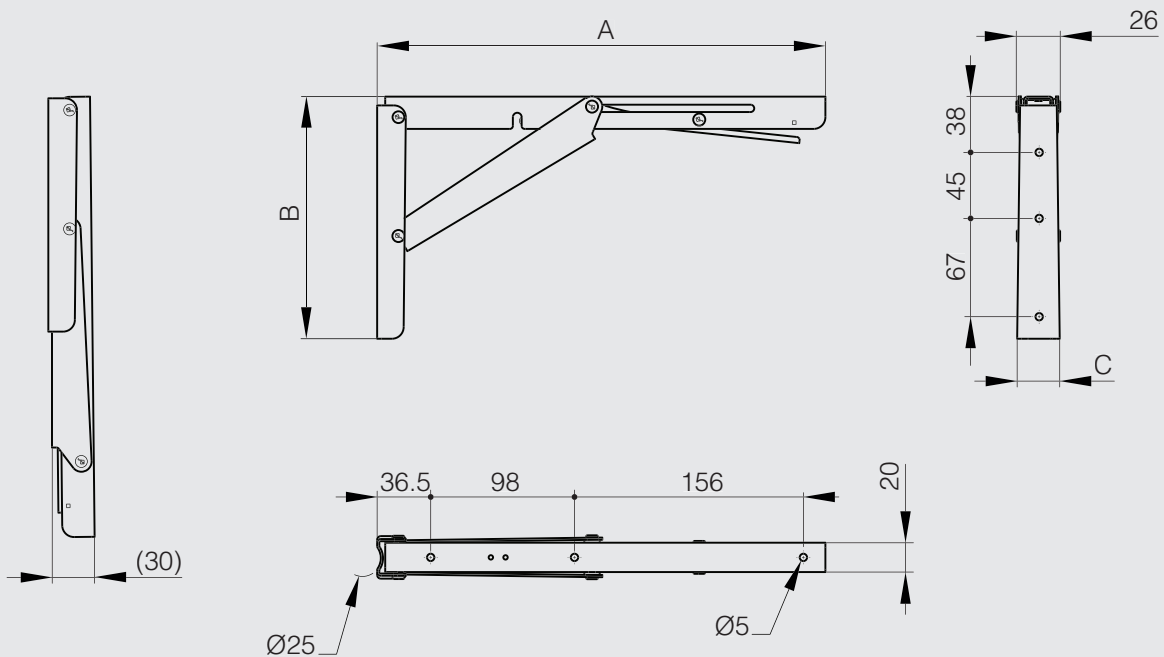
Press lever to release the lock.

Bracket with hinge function in one unit.

Load capacity: 150 kg.



	Part number	Material	Finish	A	B	C	Weight (g)
NEW	24-7-3587	304 stainless steel	polished	305.5	165	29	515





Door holders

Automatically locks door when fully opened. Slide the locking lever to release the lock.

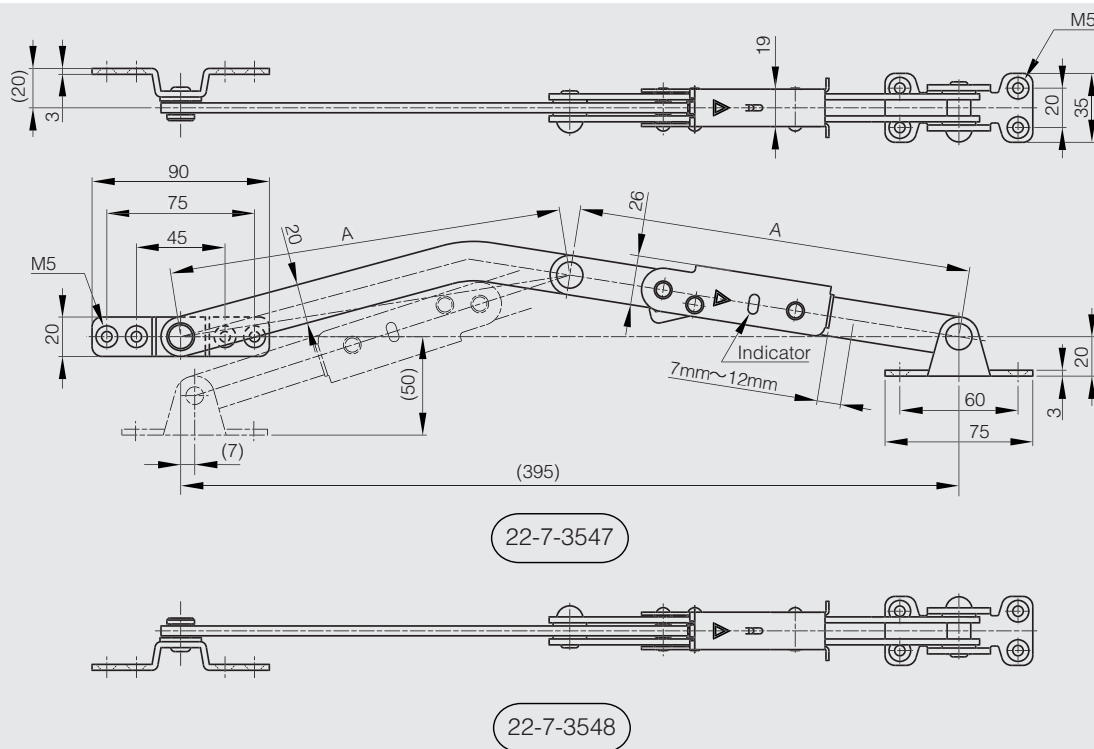
Tensile force: Max 1500 N.

Compression load: Max 600 N.

Handed: specific left and right hand mounting.

STAINLESS
STEEL

Part number	Material	Finish	A	Weight (g)
22-7-3547	304 stainless steel	polished	200	630
22-7-3548	304 stainless steel	polished	200	630



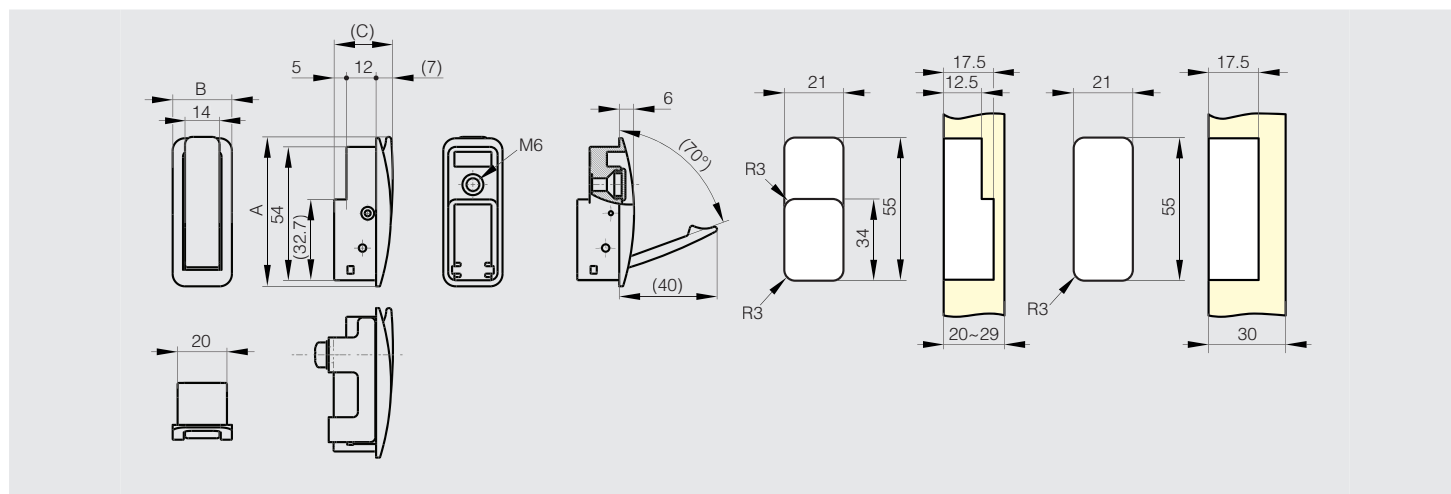
Soft closing recessed hook



Hook is spring loaded to retract with a soft closing mechanism.
 Can be mounted on wood or sheet metal.
 Installation on sheet metal: use bracket 22-7-3551.
 Installation on wooden panel: please take off the cushion rubber.
 Panel Thickness:
 Wood: Min. 20 mm.
 Sheet Metal: 0.8 to 4.0 mm.
 Load capacity: 300 N max.
 Material: aluminium, POM, pin in stainless steel.



	Part number	Material	Finish	A	B	C	Weight (g)
NEW	22-7-3549	aluminium	dark grey	60	24	24	49
NEW	22-7-3550	aluminium	silver	60	24	24	49

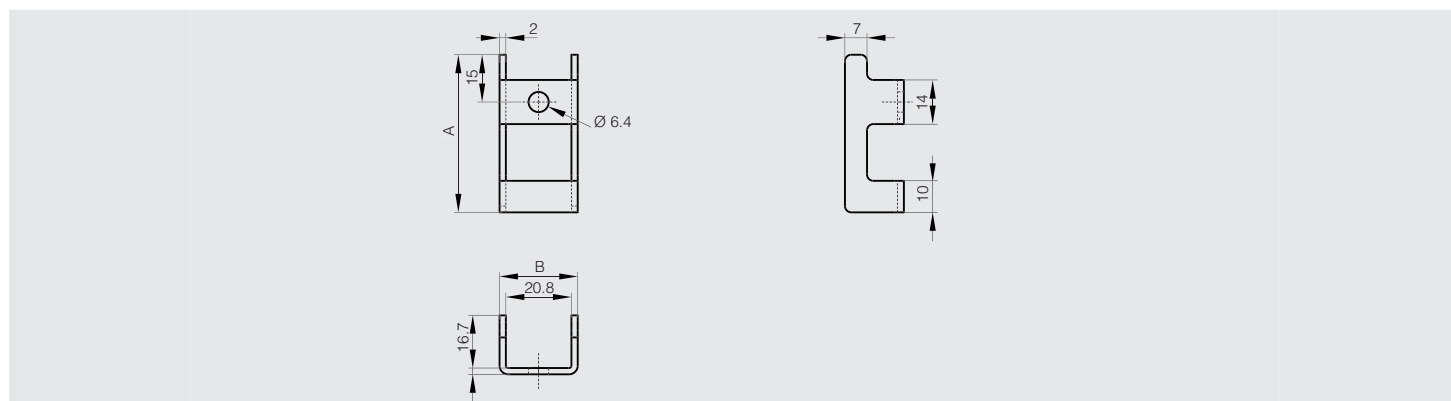


Bracket for soft closing recessed hook



For sheet metal application. Panel thickness from 0.8 to 4.0 mm.
 Supplied with one M6x20 stainless steel screw.

	Part number	Material	Finish	A	B	Weight (g)
NEW	22-7-3551	steel	zinc chromate plated	50	24.8	25



Spring loaded recessed hook

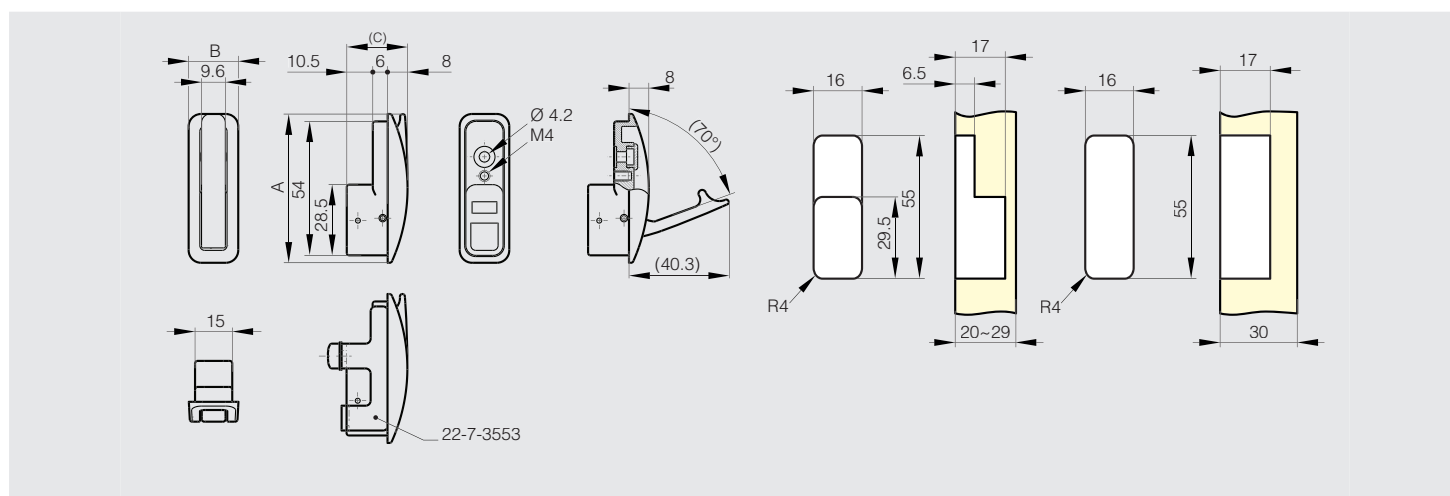


ALU

Hook is spring loaded to retract.
 Can be mounted on wood or sheet metal.
 Installation on sheet metal: use bracket 22-7-3553.
 Installation on wooden panel: please take off the cushion rubber.
 Panel Thickness:
 Wood: Min. 20 mm.
 Sheet Metal: 0.8 to 1.6 mm.
 Load capacity: 200 N max.
 Material: aluminium, pin in stainless steel.



	Part number	Material	Finish	A	B	C	Weight (g)
NEW	22-7-3552	aluminium	dark grey	60	20	24.5	31



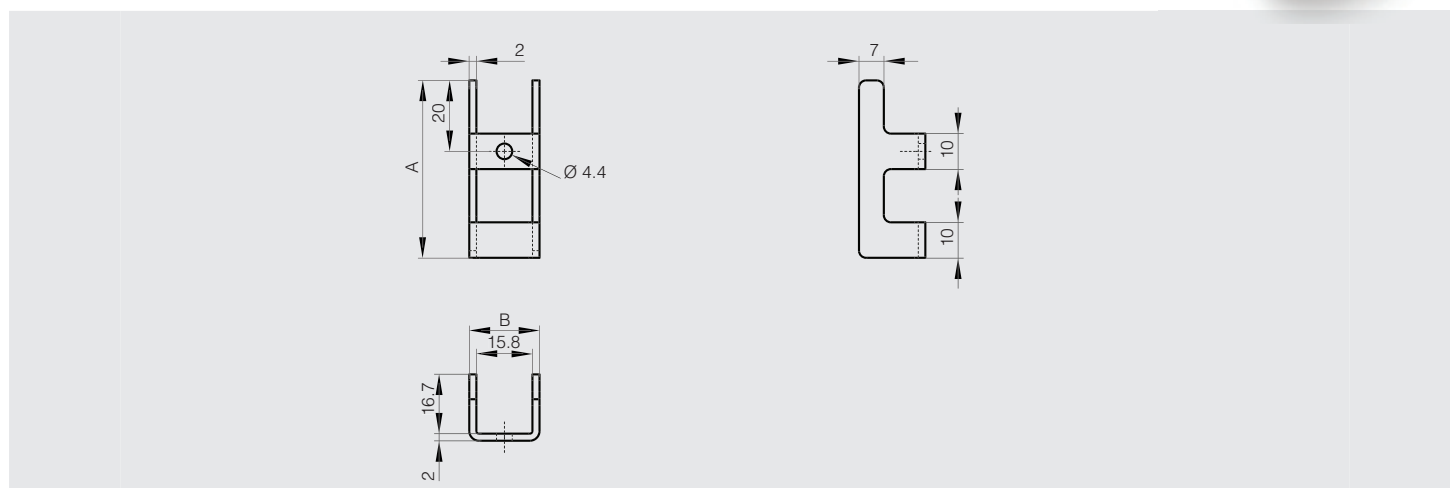
Bracket for spring loaded recessed hook



STEEL

For sheet metal application. Panel thickness from 0.8 to 1.6 mm.
 Supplied with one M4x14 stainless steel screw.

	Part number	Material	Finish	A	B	Weight (g)
NEW	22-7-3553	steel	zinc chromate plated	50	19.8	22





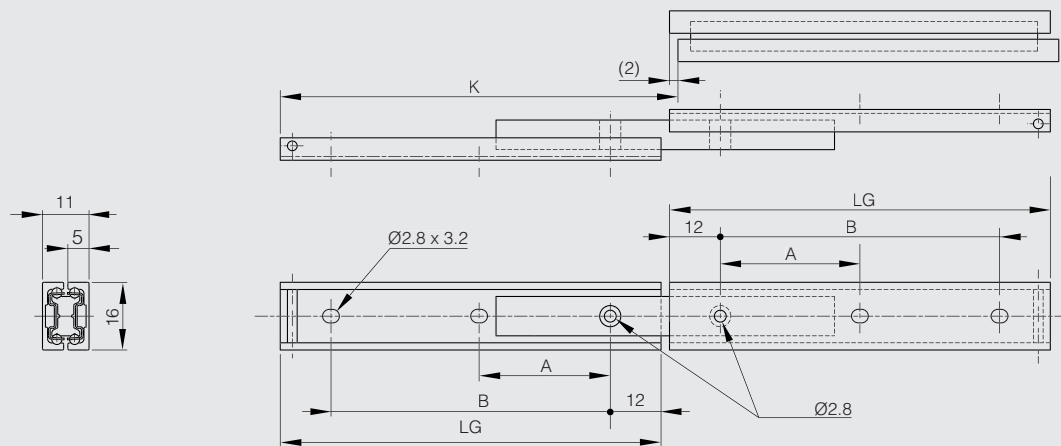
Aluminium mini slides



Full extension. Positive stop.
Thin profile for various applications.
LG = slide length.
K = travel length.
CN = load rating (kg/pair).



Part number	Material	Finish	K	LG	A	B	CN	Weight (g)
21-7-3581	aluminium	anodised	77	80	-	56	20	31.5
21-7-3582	aluminium	anodised	117	100	38	76	29	36
21-7-3583	aluminium	anodised	151	150	63	126	39	54.5





Telescopic slides

Stainless steel slides

3/4 extension ball-bearing slide (2 pieces), front disconnect



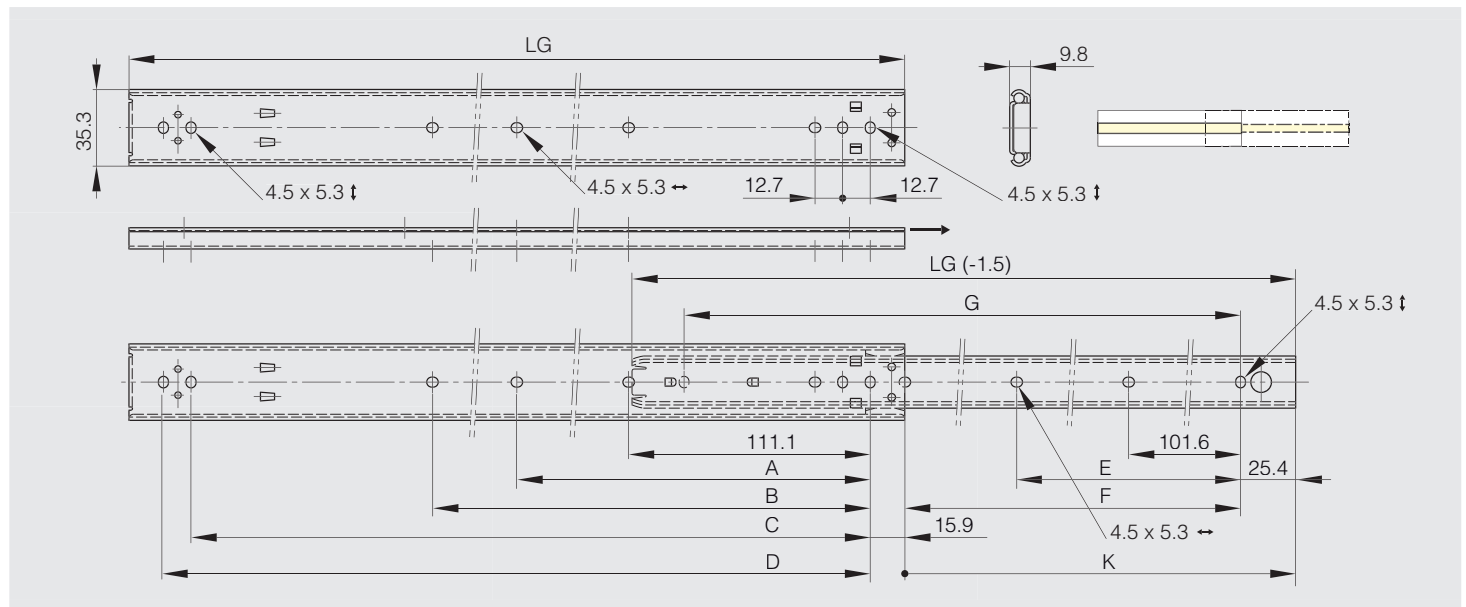
LG = slide length.

K = travel length.

CN = load rating (kg/pair).



Part number	Material	Finish	K	LG	A	B	C	D	E	F	G	CN	Weight (g)
21-7-3576	304 stainless steel	raw	228.6	304.8	-	149.2	260.3	273	-	152.4	254	49	300
21-7-3577	304 stainless steel	raw	279.4	355.6	-	200	311.1	323.8	-	203.2	304.8	47	360
21-7-3562	304 stainless steel	raw	304.8	406.4	-	250.8	361.9	374.6	-	254	359.6	43	420
21-7-3563	304 stainless steel	raw	330.2	457.2	212.7	301.6	412.7	425.4	203.2	304.8	406.4	41	460
21-7-3564	304 stainless steel	raw	382	508	238.1	352.4	463.5	476.2	228.6	355.6	457.2	37	490
21-7-3565	304 stainless steel	raw	406.4	558.8	263.5	403.2	514.3	527	254	406.4	508	34	560
21-7-3566	304 stainless steel	raw	432.8	609.6	288.9	454	565.1	577.8	279.4	457.2	558.8	30	590
21-7-3567	304 stainless steel	raw	482.6	660.4	314.3	504.8	615.9	628.6	304.8	508	609.6	27	660
21-7-3568	304 stainless steel	raw	508	711.2	339.7	555.6	666.7	679.4	330.2	558.8	660.4	25	690





Telescopic slides

Aluminium slides

Full extension ball-bearing slide (3 pieces), front disconnect and positive lock



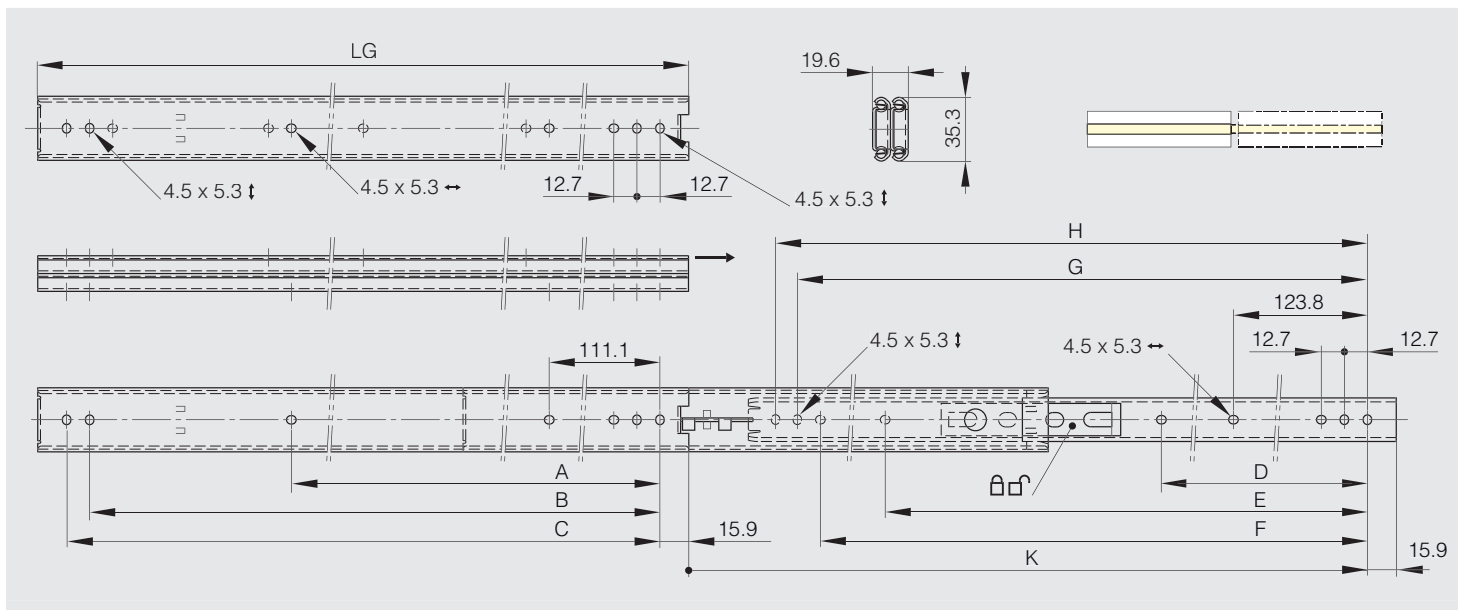
LG = slide length.

K = travel length.

CN = load rating (kg/pair).



Part number	Material	Finish	K	LG	A	B	C	D	E	F	G	H	CN	Weight (g)
21-7-3569	304 stainless steel	raw	421.7	406.4	250.8	361.9	374.6	-	-	349.2	361.9	374.6	57	840
21-7-3570	304 stainless steel	raw	472.5	457.2	301.6	412.7	425.4	212.7	-	400	412.7	425.4	53	950
21-7-3571	304 stainless steel	raw	523.3	508	352.4	463.5	476.2	238.1	-	450.8	463.5	476.2	49	1030
21-7-3572	304 stainless steel	raw	574.1	558.8	403.2	514.3	527	263.5	415.9	501.6	514.3	527	45	1150
21-7-3573	304 stainless steel	raw	624.9	609.6	454	565.1	577.8	288.9	466.7	552.4	565.1	577.8	42	1280
21-7-3574	304 stainless steel	raw	675.7	660.4	504.8	615.9	628.6	314.3	517.5	603.2	615.9	628.6	39	1400
21-7-3575	304 stainless steel	raw	726.5	711.2	555.6	666.7	679.4	339.7	568.3	654	666.7	679.4	36	1500





Telescopic slides

Stainless steel slides

Full extension ball-bearing slide (3 pieces), front disconnect and positive stop



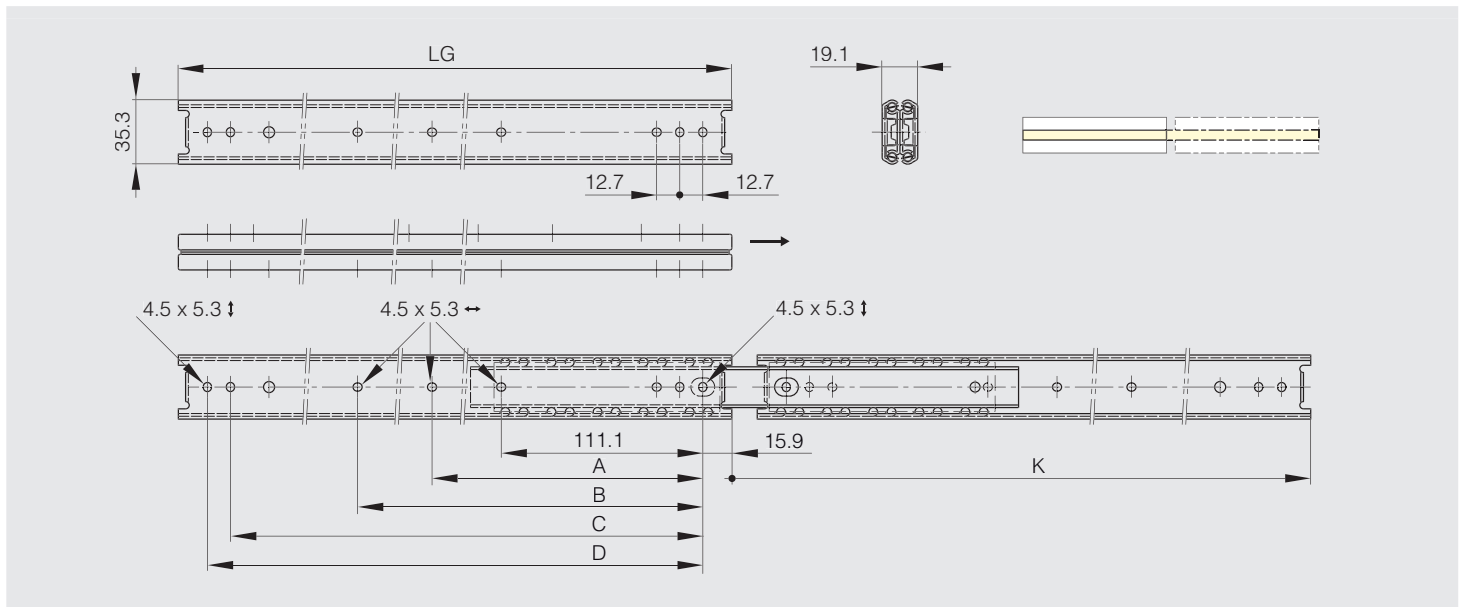
LG = slide length.

K = travel length.

CN = load rating (kg/pair).



Part number	Material	Finish	K	LG	A	B	C	D	CN	Weight (g)
21-7-3578	304 stainless steel	raw	327.2	304.8	-	149.2	260.3	273	60	620
21-7-3579	304 stainless steel	raw	378	355.6	-	200	311.1	323.8	59	720
21-7-3555	304 stainless steel	raw	428.4	406.4	-	250.8	361.9	374.6	57	820
21-7-3556	304 stainless steel	raw	479.2	457.2	212.7	301.6	412.7	425.4	56	920
21-7-3557	304 stainless steel	raw	530	508	238.1	352.4	463.5	476.2	54	1025
21-7-3558	304 stainless steel	raw	580.8	558.8	263.5	403.2	514.3	527	51	1125
21-7-3559	304 stainless steel	raw	631.6	609.6	288.9	454	565.1	577.8	49	1225
21-7-3560	304 stainless steel	raw	682.4	660.4	314.3	504.8	615.9	628.6	47	1325
21-7-3561	304 stainless steel	raw	733.2	711.2	339.7	555.6	666.7	679.4	45	1425





Telescopic slides

Aluminium slides

Heavy duty, full extension ball-bearing slide (3 pieces), front disconnect and positive stop

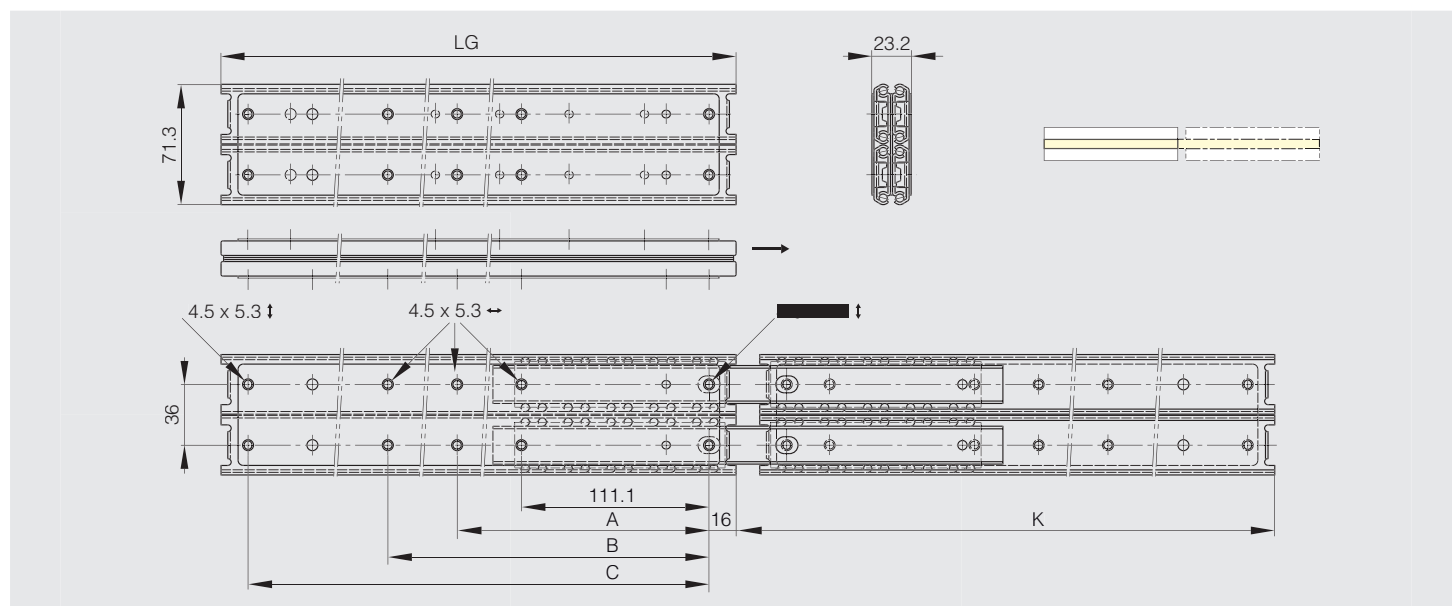
LG = slide length.

K = travel length.

CN = load rating (kg/pair).



Part number	Material	Finish	K	LG	A	B	C	CN	Weight (g)
21-7-3548	304 stainless steel	raw	420.6	406.6	-	250.8	374.6	259	2340
21-7-3549	304 stainless steel	raw	471.4	457.4	212.7	301.6	425.4	250	2500
21-7-3550	304 stainless steel	raw	522.2	508.2	238.1	352.4	476.2	241	2840
21-7-3551	304 stainless steel	raw	573	559	263.5	403.2	527	229	3250
21-7-3552	304 stainless steel	raw	623.8	609.8	288.9	454	577.8	216	3500
21-7-3553	304 stainless steel	raw	674.6	660.6	314.3	504.8	628.6	200	3840
21-7-3554	304 stainless steel	raw	725.4	711.4	339.7	555.6	679.4	182	4170





Telescopic slides

Stainless steel slides

Full extension ball-bearing slide (3 pieces), soft-closing



LG = slide length.

K = travel length.

CN = load rating (kg/pair).

Soft-close slide.

The drawer can be detached by pushing the lever while pulling the drawer out.

Soft-closes at 20 mm distance from closed position (LG = 300-350 mm) or 36 mm distance from closed position (LG = 400-700 mm).

The maximum width of the drawer is the slide length (LG) + 200 mm.

Sold in pairs.



Part number	Material	Finish	K	F	LG	A	B	C	D	E	G	H	CN	Weight (g)
NEW 21-7-3584	304 stainless steel	raw	265	-	300	145	-	-	-	-	-	174	16	390
NEW 21-7-3585	304 stainless steel	raw	340	-	350	151	-	-	-	-	-	224	16	465
NEW 21-7-3586	304 stainless steel	raw	400	-	400	167	-	-	-	96	-	256	20	535
NEW 21-7-3587	304 stainless steel	raw	450	-	450	119	215	-	-	128	-	306	30	605
NEW 21-7-3588	304 stainless steel	raw	500	160	500	119	279	-	-	96	-	344	35	680
NEW 21-7-3589	304 stainless steel	raw	550	160	550	119	215	311	-	96	-	394	35	730
NEW 21-7-3590	304 stainless steel	raw	600	192	600	119	247	375	-	128	-	444	35	830
NEW 21-7-3591	304 stainless steel	raw	650	224	650	119	215	311	407	128	416	494	35	905
NEW 21-7-3592	304 stainless steel	raw	700	224	700	119	215	343	471	128	480	544	35	980

