



Drop handles

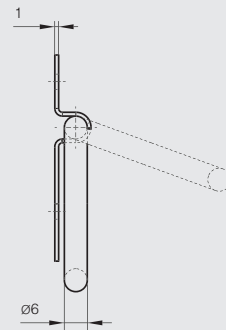
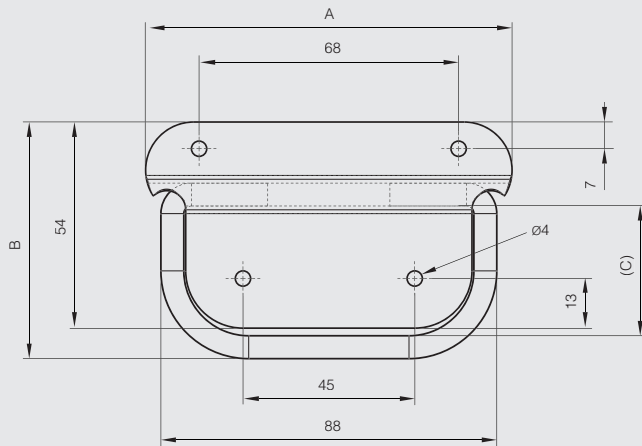
Drop handles - free swing

Drop handles 96 x 61 mm - load 25 kg

Maximum load: 25 kg.
With 80° stop.

STEEL

Part number	Material	Finish	A	B	C	Note	Weight (g)
19-7-3339	steel	raw	96	63	34	undrilled	77
19-7-3637	steel	zinc plated	96	63	34	drilled	77

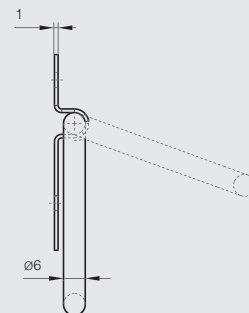
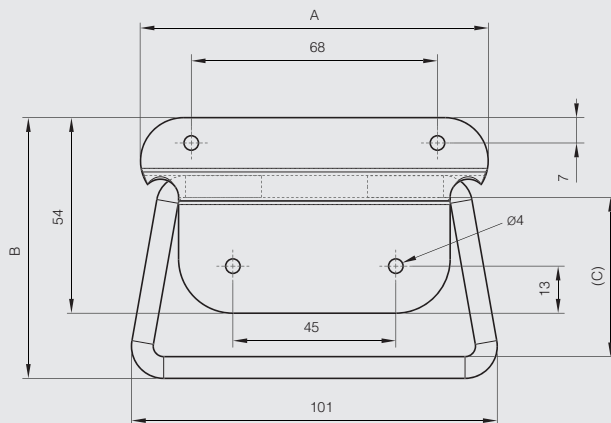


Drop handle 96 x 71 mm - load 25 kg

Maximum load: 25 kg.
With 80° stop.

STEEL

Part number	Material	Finish	A	B	C	Note	Weight (g)
19-7-3633	steel	zinc plated	96	72	45	drilled	107



FIXORSL

Calle del Dr. Mata num 5, 08203 Sabadell
Tel 93 710 41 60, tecnica@fixor.es
www.fixor.es

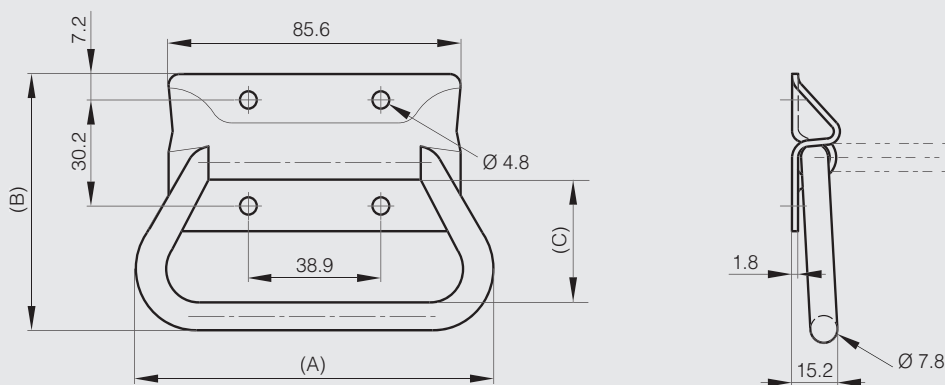
Drop handles - free swing

Drop handle 104.8 x 73.7 mm - load 90 kg

Maximum load: 90 kg.
With 90° stop.

STEEL

Part number	Material	Finish	A	B	C	Weight (g)
19-7-3721	steel	zinc plated	104.8	73.7	34.9	181

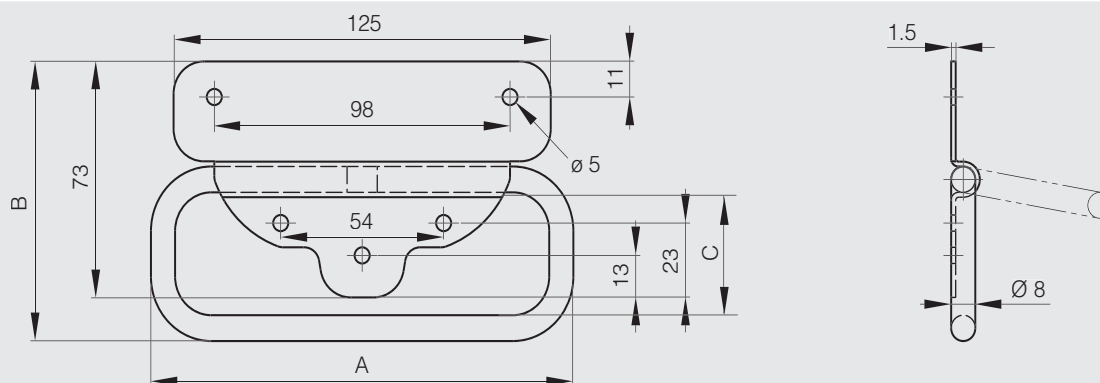


Drop handles 140 x 87 mm - load 60 kg

Maximum load: 60 kg.
With 80° stop.

STEEL

Part number	Material	Finish	A	B	C	Note	Weight (g)
19-7-3341	steel	raw	118	80	34	undrilled	180
19-7-3638	steel	zinc plated	118	80	34	drilled	180

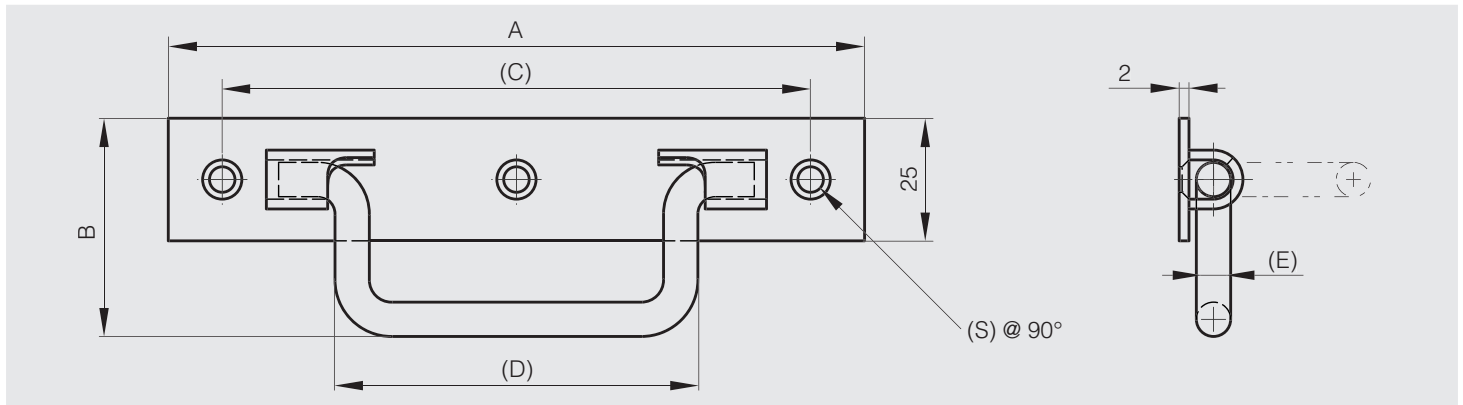


Drop handles - load 35 kg or 45 kg

With 90° stop.

STEEL

Part number	Material	Finish	A	B	C	D	E	S	Note	Weight (g)
19-7-3515	steel	zinc plated	142	45	120	75	8	5.2	load: 35 kg	115
19-7-3535	steel	zinc plated	160	46	138	94	8	5.2	load: 45 kg	142
19-7-3649	steel	zinc plated	187	49.6	162	109	8	5.2	load: 45 kg	155

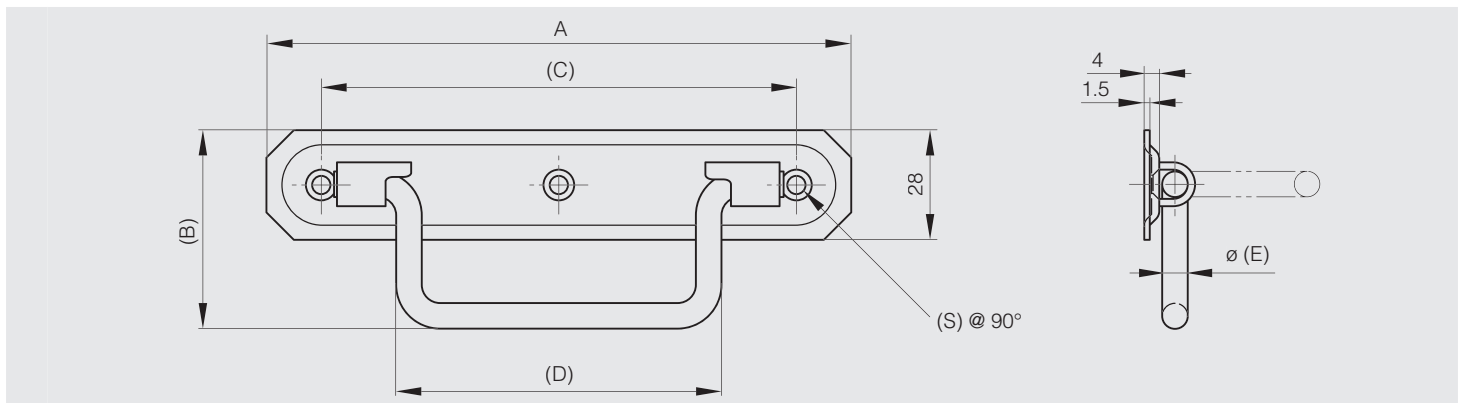


Drop handle with chamfredded angles - load 35 kg

With 90° stop.

STAINLESS STEEL
RoHS

Part number	Material	Finish	A	B	C	D	E	S	Note	Weight (g)
19-7-3690	304 stainless steel	raw	158	54	130	89	7	5.2	load: 35 kg / chamfredded angles	120





Drop handles

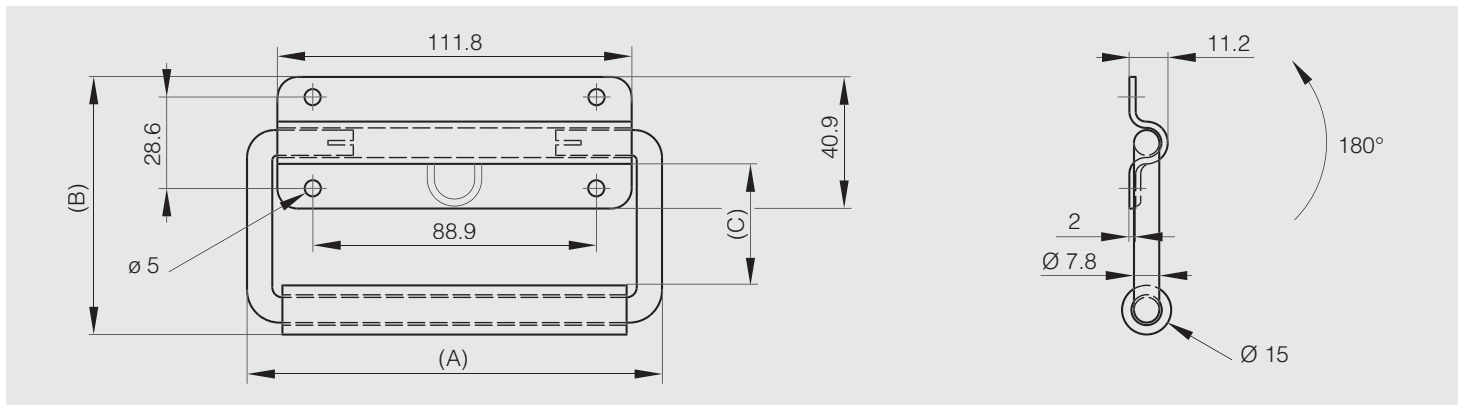
Drop handles - free swing

Drop handle 130 x 80 mm - load 68 kg

Maximum load: 68 kg.
With 180° stop.
Rubber grip in neoprene.

STEEL

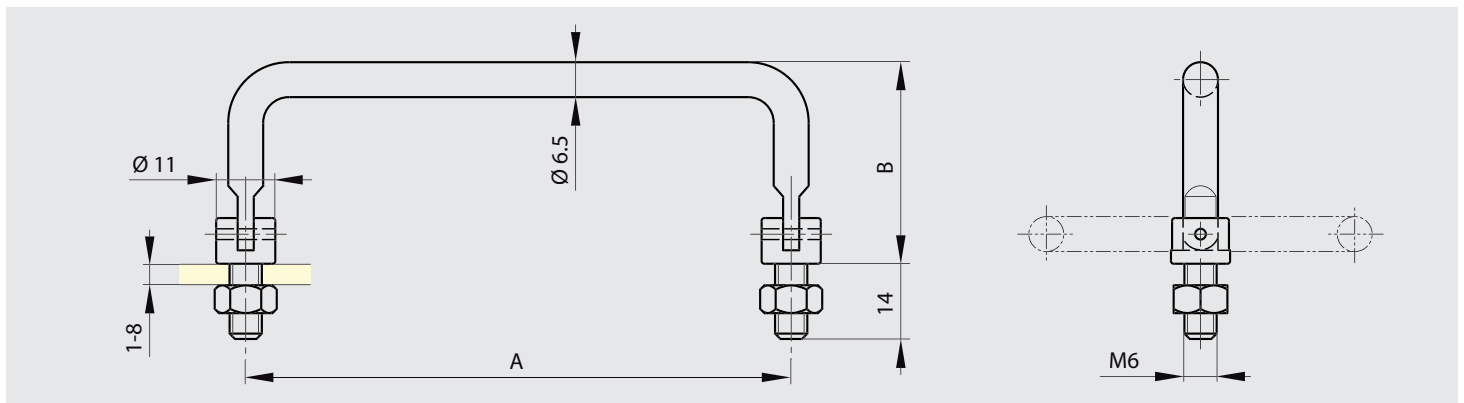
Part number	Material	Finish	A	B	C	Weight (g)
19-7-3706	steel	zinc plated	130	80	38.1	227



Black steel folding handle

STEEL

Part number	Material	Finish	A	B	Weight (g)
19-1-9006	steel	black epoxy	101.5	37.5	54



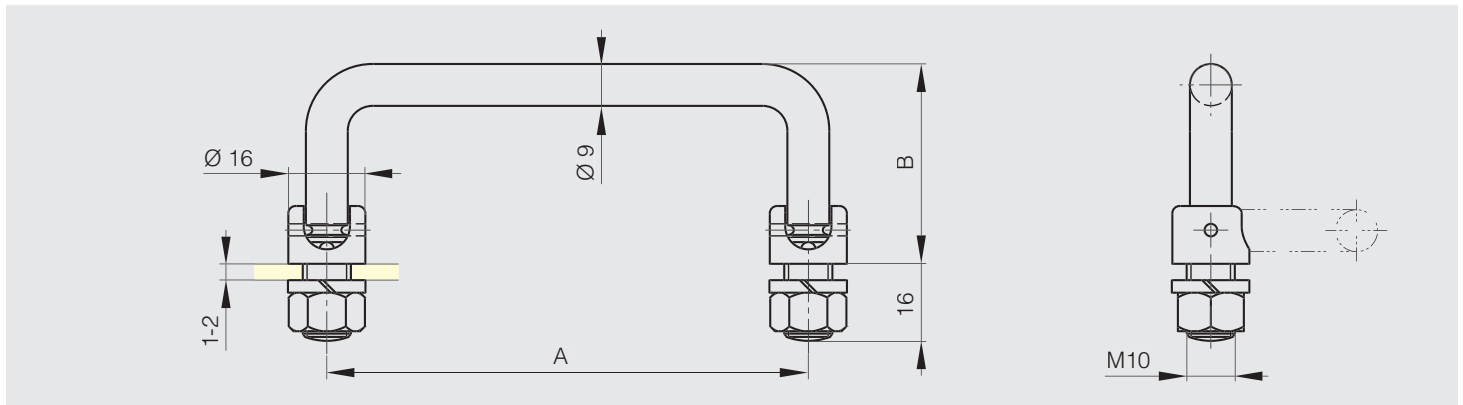


Folding handle with stop in open position

With 90° stop and position control.

STEEL RoHS

Part number	Material	Finish	A	B	Weight (g)
19-1-9004	steel	chrome plated	100	41.5	120
19-1-9005	steel	chrome plated	135	41.5	150





Drop handles

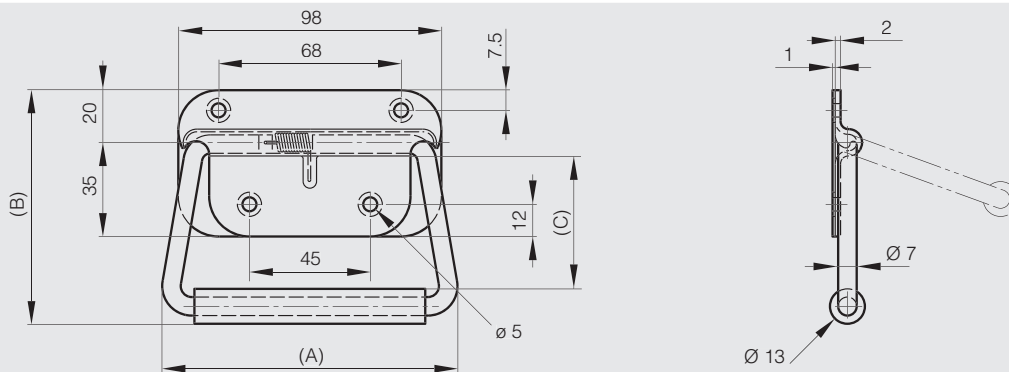
Spring loaded drop handles

Spring loaded handles 110 mm - load 25 kg

Maximum load: 25 kg.
With 70° stop.

STEEL

Part number	Material	Finish	A	B	C	Weight (g)
19-7-3641	steel	zinc plated	110	87	50.5	210

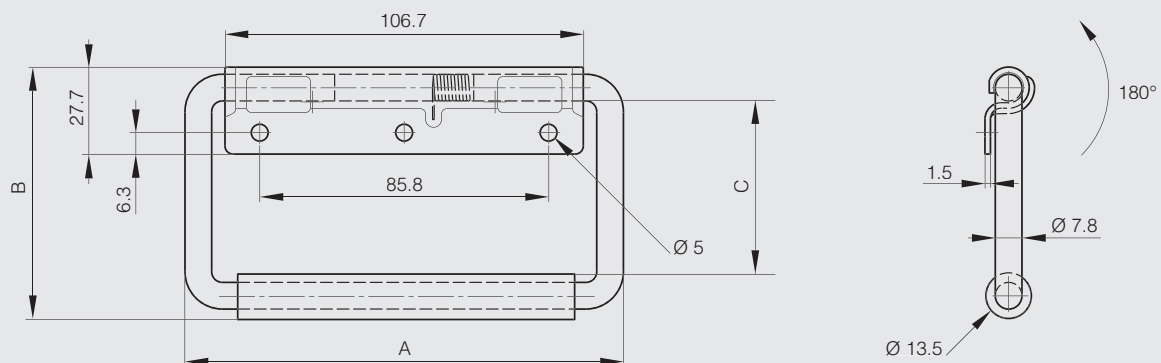


Spring loaded handles - load 34 kg - 180° opening

Maximum load: 34 kg.
With 180° stop.
Rubber grip in EPDM.

STAINLESS STEEL STEEL RoHS

Part number	Material	Finish	A	B	C	Weight (g)
19-7-3710	steel	black epoxy	130	75.4	46	227
19-7-3711	stainless steel	passivated	130	75.4	46	227



FIXOR^{SL}

Calle del Dr. Mata num 5, 08203 Sabadell
Tel 93 710 41 60, tecnica@fixor.es
www.fixor.es

www.pinetuk.com

PINET



Drop handles

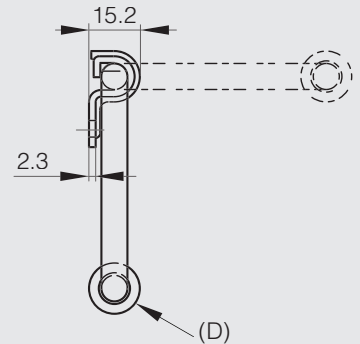
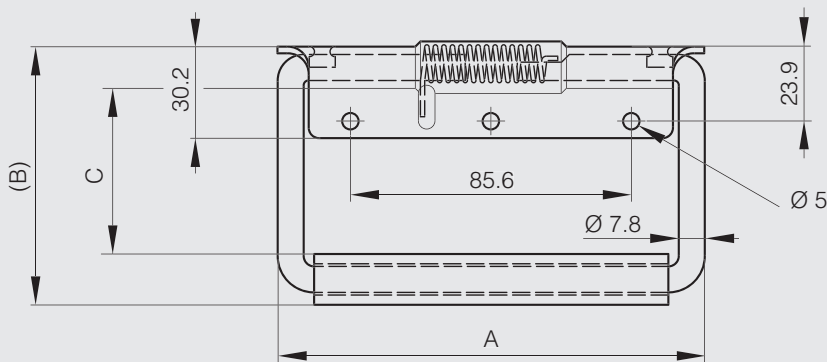
Spring loaded drop handles

Spring loaded handles 130 mm - load 45 kg

Maximum load: 45 kg.
With 90° stop.
Rubber grip.

STEEL

Part number	Material	Finish	A	B	C	D	Weight (g)
19-7-3733	steel	zinc plated	130	81.3	48.3	15	226

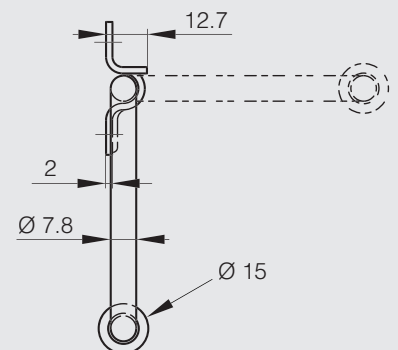
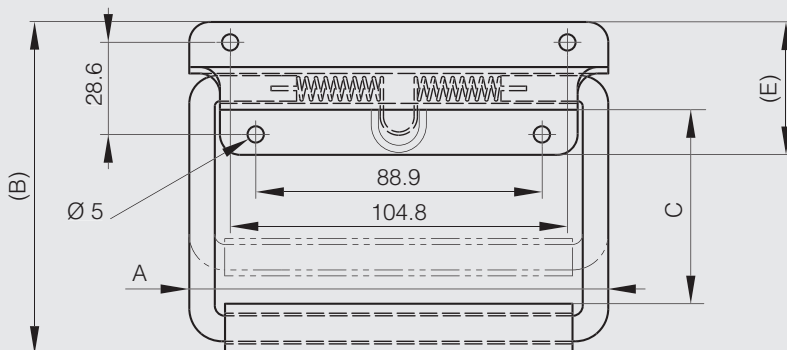


Spring loaded handles 130.3 mm - load 45 kg

Maximum load: 45 kg.
With 90° stop.
Rubber grip.

STAINLESS STEEL STEEL

Part number	Material	Finish	A	B	C	E	Weight (g)
19-7-3745	steel	zinc plated	130.3	82.6	38.1	39.6	272
19-7-3740	steel	zinc plated	130.3	104.1	60.4	39.6	272
19-7-3746	stainless steel	raw	130.3	82.6	38.1	41.9	272
19-7-3741	stainless steel	raw	130.3	104.1	60.4	41.9	272



Spring loaded handle 130 mm - load 54 kg

Maximum load: 54 kg.

With 90° stop.

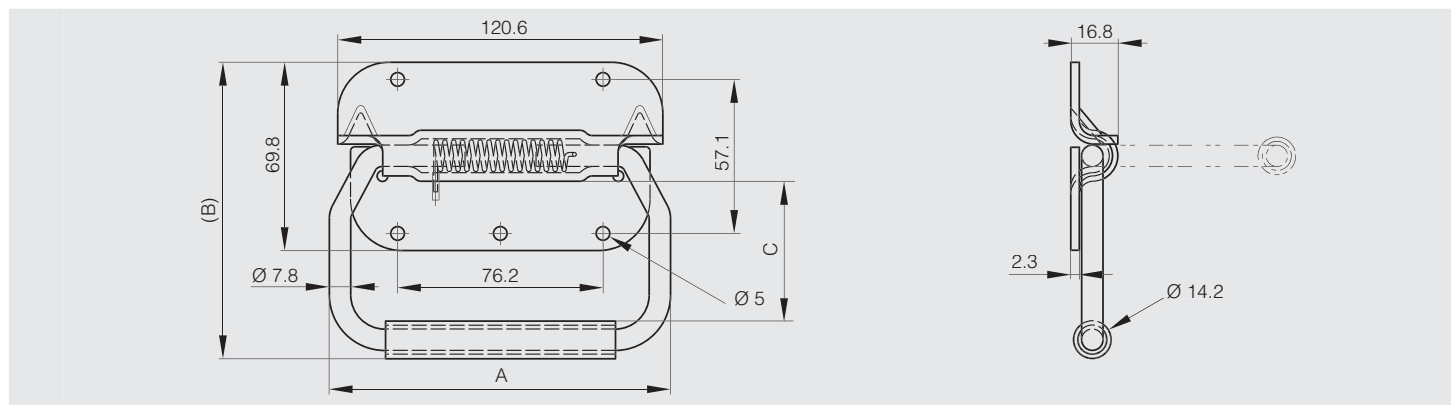
A special aluminium sleeve located between the rubber grip and the bail assures the grip will not ride up on the bail during lifting. Adds comfort and durability.

Fungus resistant neoprene.

Meets military specifications MIL.T.945, MIL.C.4150.



Part number	Material	Finish	A	B	C	Weight (g)
19-7-3725	stainless steel	raw	130	112.7	50.8	317



Spring loaded handles 130 mm - load 68 kg

Maximum load: 68 kg.

With 90° stop.

A special aluminium sleeve located between the rubber grip and the bail assures the grip will not ride up on the bail during lifting. Adds comfort and durability.

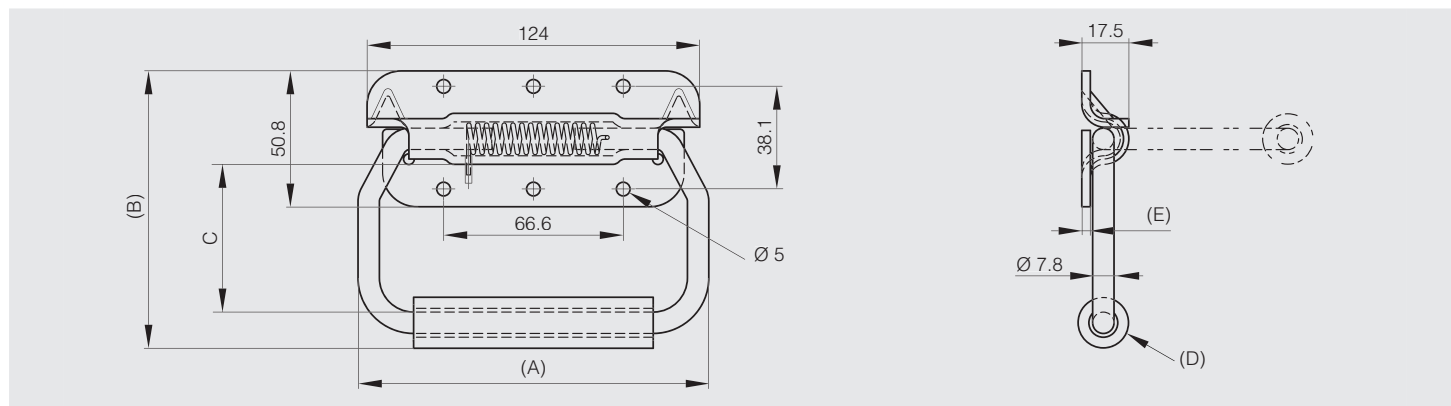
Fungus resistant neoprene.

Meets military specifications MIL.T.945, MIL.C.4150.

STEEL



Part number	Material	Finish	A	B	C	D	E	Weight (g)
19-7-3729	steel	zinc plated	130	101.6	50.8	14.2	2.3	275
19-7-3730	steel	zinc plated	130	104.1	50.8	19	2.3	285



Spring loaded drop handles

Recessed spring loaded drop handles 155.5 mm - load 57 kg

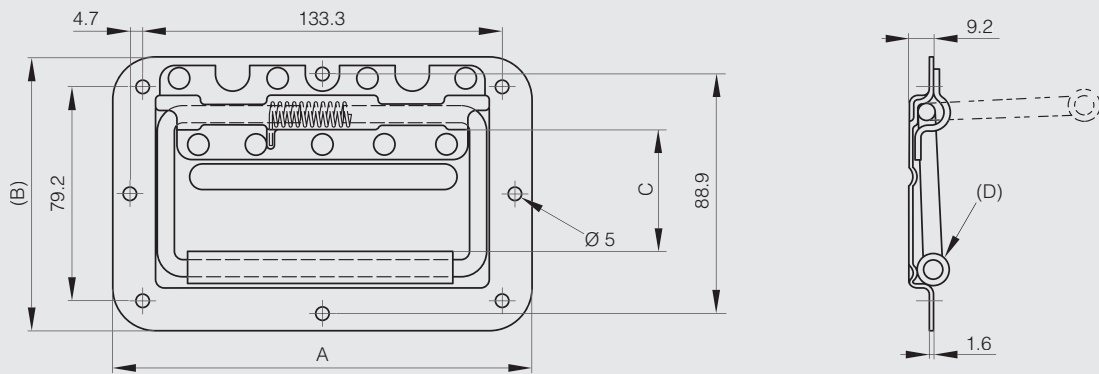
Maximum load: 57 kg.

With 90° stop.

Cut-out dimension: 78.7 x 132.

STEEL

Part number	Material	Finish	A	B	C	D	Weight (g)
19-7-3751	steel	zinc plated	155.5	101.6	42.9	19	385
19-7-3749	steel	zinc plated	155.5	101.6	46	13.5	385



Recessed spring loaded drop handles 177.8 mm - load 68 kg

Maximum load: 68 kg.

With 90° stop.

Cut-out dimension: 99 x 146.

STEEL

Part number	Material	Finish	A	B	C	Weight (g)
19-7-3756	steel	zinc plated	177.8	127	62	567

