



Grab handles

Front mount grab handles

Front mounted grab handles 50 mm

STEEL RoHS

Part number	Material	Finish	A	B	C	Weight (g)
19-1-3798	steel	chrome plated	50	25	35	46

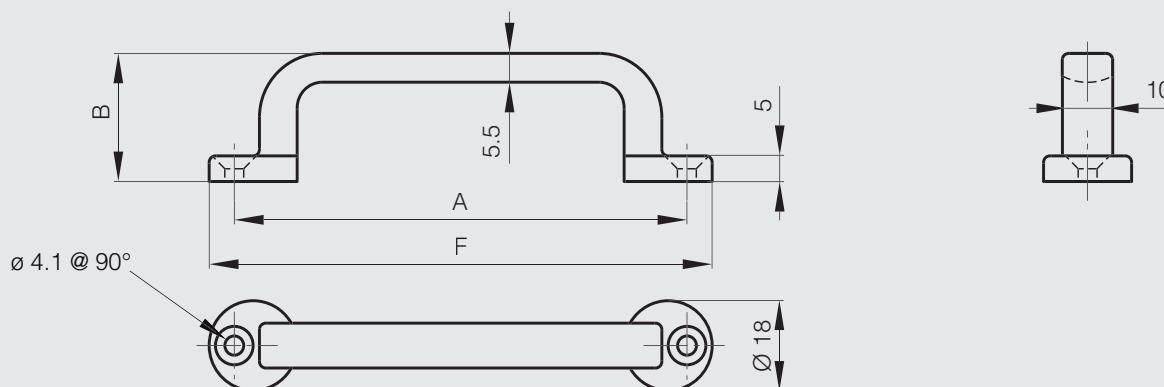


Front mounted grab handle 88 mm

Complete with wood screws.

STAINLESS STEEL RoHS

Part number	Material	Finish	A	B	F	Weight (g)
19-7-3693	304 stainless steel	mirror polished	88	25	100	68.5



FIXOR^{SL}

Calle del Dr. Mata num 5, 08203 Sabadell
Tel 93 710 41 60, tecnica@fixor.es
www.fixor.es

www.pinetuk.com

PINET



Grab handles

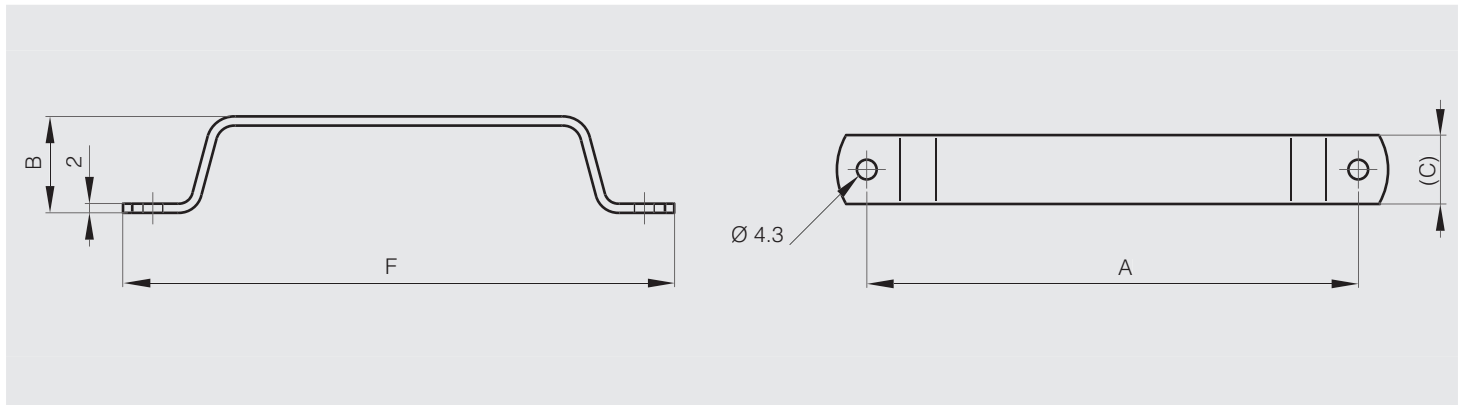
front mount grab handles

Front mounted grab handles 107 mm in steel or stainless steel

Handle made from galvanised steel is pregalvanised. Therefore any cut surface is ungalvanised.



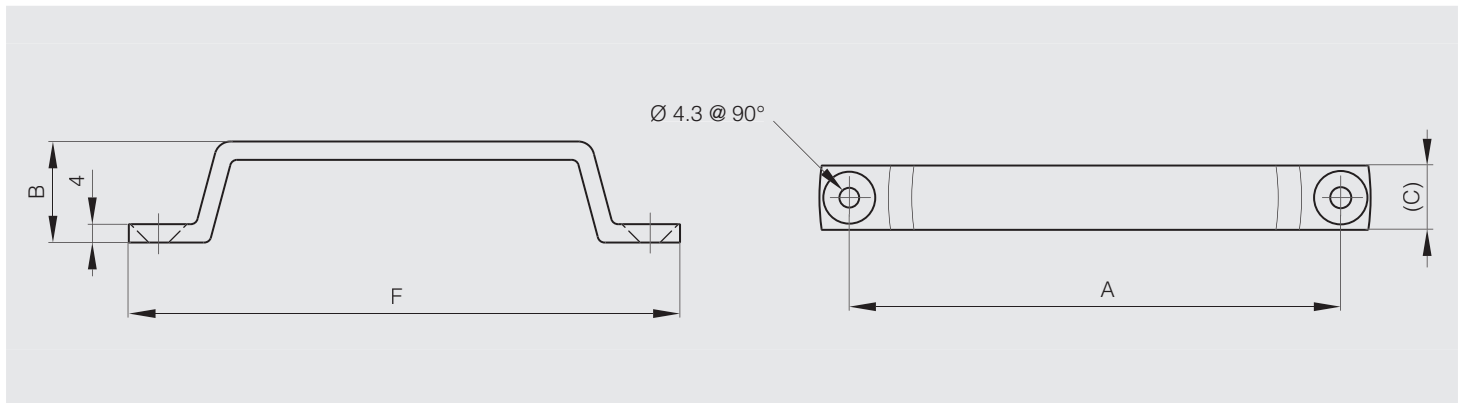
Part number	Material	Finish	A	B	C	F	Weight (g)
19-1-3807	galvanised steel	raw	107	21	15	120	32
19-1-3797	304 stainless steel	deburred	107	21	15	120	32



Front mounted grab handle 107 mm - zinc die-cast



Part number	Material	Finish	A	B	C	F	Weight (g)
19-7-3639	zinc die-cast	chrome plated	107	22	14	120	40

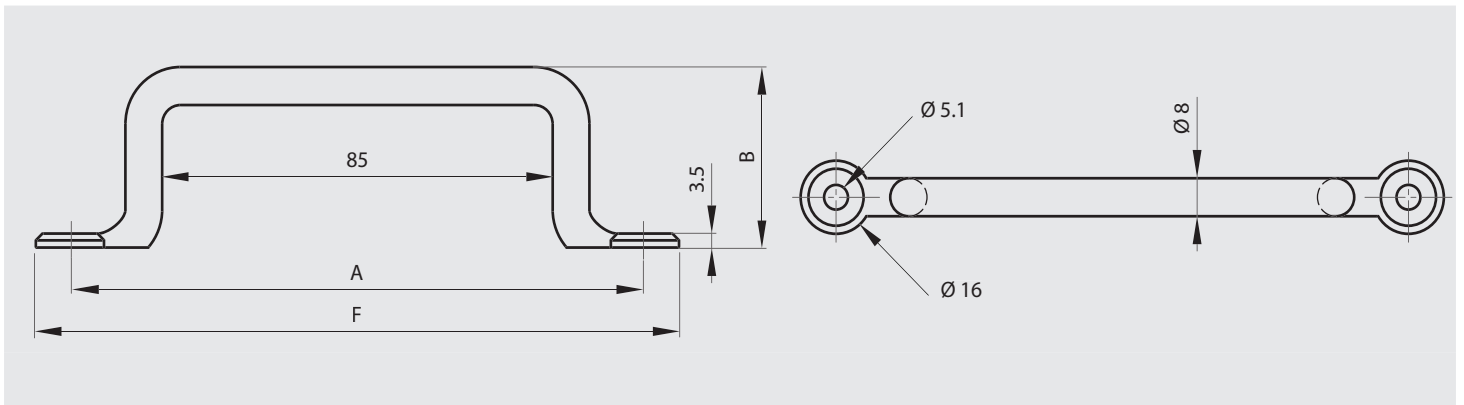


Front mount grab handles

Front mounted grab handle 125 mm

STEEL

Part number	Material	Finish	A	B	F	Weight (g)
19-7-3343	steel	zinc plated	125	38	140	68

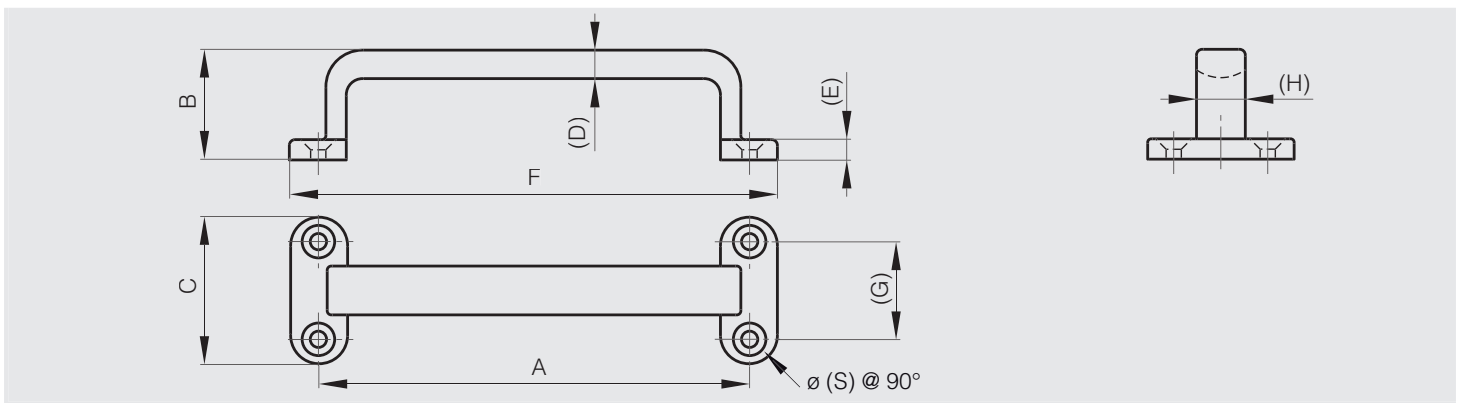


Front mounted grab handles 106 and 126 mm

Complete with wood screws.

STAINLESS STEEL RoHS

Part number	Material	Finish	A	B	C	D	E	F	G	H	S	Weight (g)
19-7-3694	304 stainless steel	mirror polished	106	27	24	7	5	120	24	12	4.1	131
19-7-3695	304 stainless steel	mirror polished	126	33	30	8	6	150	30	15	5.3	242





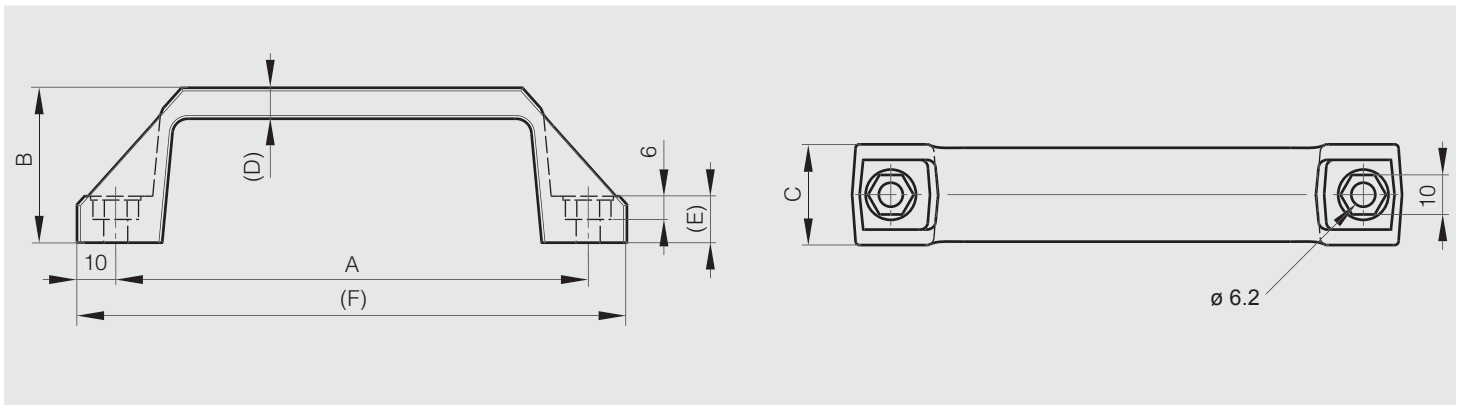
Grab handles

front mount grab handles

Front mounted grab handles 122 and 150 mm



Part number	Material	Finish	A	B	C	D	E	F	Weight (g)
87-7-2201	polyamide	matt black	122	40	26	8	12	142	42.2
87-7-2203	polyamide	matt black	150	52	28	10	13	170	70.8





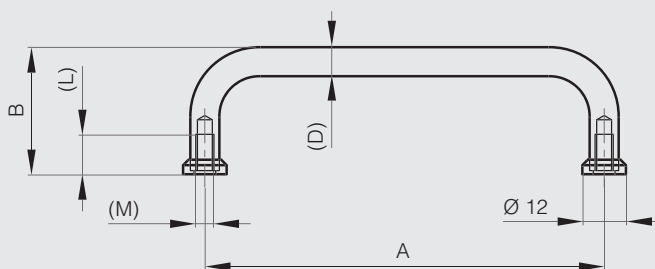
Grab handles

Rear mount grab handles

Rear mounted grab handles 110 mm



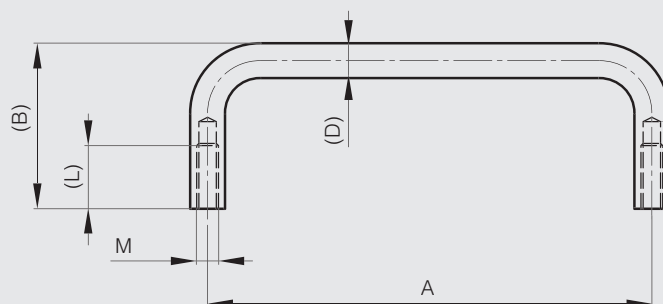
Part number	Material	Finish	A	B	D	L	M	Weight (g)
19-1-3424	304 stainless steel	polished	110	35	8	11	5	61



Rear mounted grab handles 92 and 108 mm



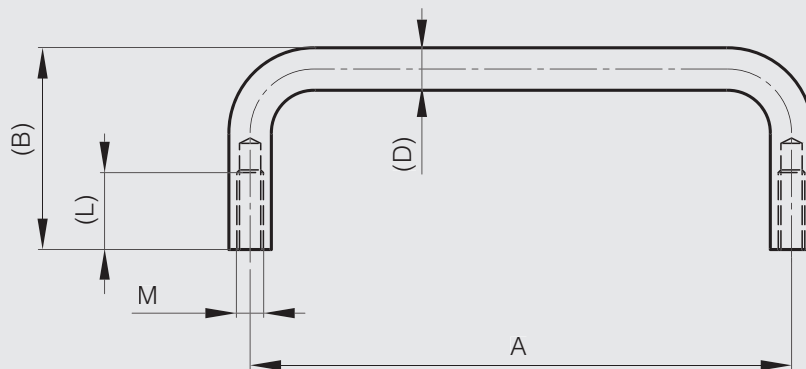
Part number	Material	Finish	A	B	D	L	M	Weight (g)
19-1-3425	aluminium	polished	92	32	10	10	5	26
19-1-3672	aluminium	polished	108	39	10	10	4	30



Rear mounted grab handles 52 to 120 mm

BRASS ALU 

Part number	Material	Finish	A	B	D	L	M	Weight (g)
19-7-3683	aluminium	clear anodised	52	34	8	10	4	14
19-7-3684	aluminium	clear anodised	80	34	8	12	4	17
19-7-3685	aluminium	clear anodised	100	34	8	12	4	20
19-7-3686	aluminium	clear anodised	120	34	8	10	4	23
19-7-3409	aluminium	polished	100	30	7	8	4	14
19-7-3410	brass	chrome plated	100	30	7	8	4	44
19-7-3411	brass	nickel plated	100	30	7	8	4	44

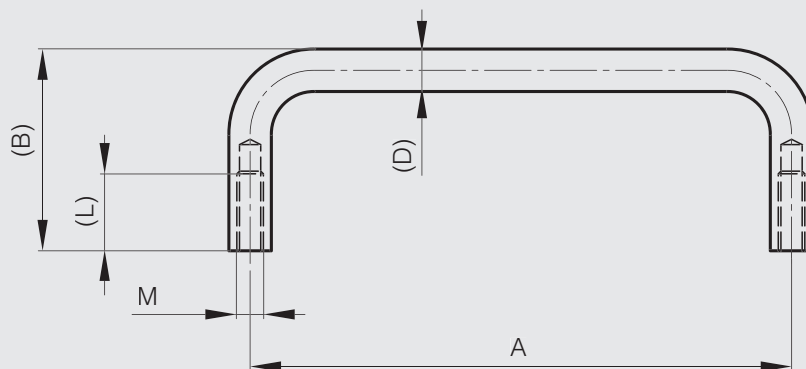


Rear mounted grab handles 95 to 150 mm

For use with M4 screws.

STAINLESS STEEL

Part number	Material	Finish	A	B	D	L	M	Weight (g)
19-7-3701	304 stainless steel	mirror polished	95	28	9	8	4	76
19-7-3700	304 stainless steel	mirror polished	120	28	9	8	4	88
19-7-3699	304 stainless steel	mirror polished	150	28	9	8	4	103



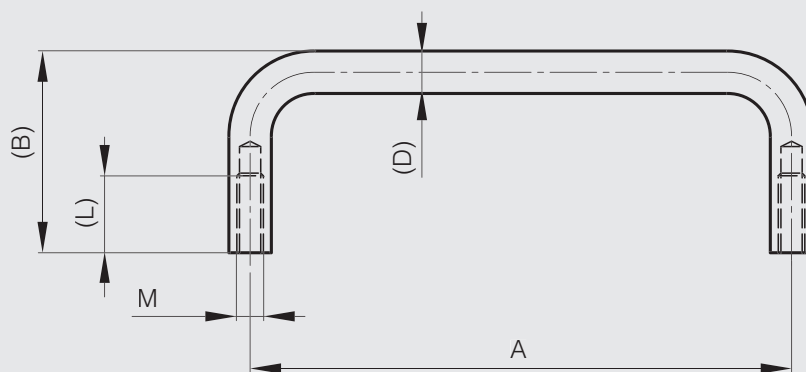


Rear mount grab handles

Rear mounted grab handles 102 to 204 mm

STEEL

Part number	Material	Finish	A	B	D	L	M	Weight (g)
19-1-3569	steel	chrome plated	102	38	8	14	5	70
19-1-3570	steel	chrome plated	153	38	8	14	5	90
19-1-3571	steel	chrome plated	204	38	8	14	5	105

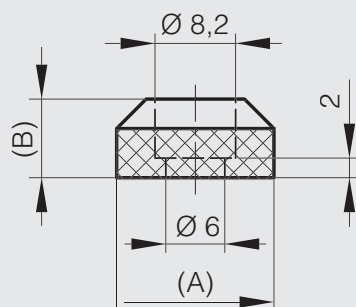
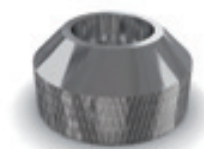


Knurled collar

For use with handles part numbers 19-1-3569, 19-1-3570 and 19-1-3571.

BRASS

Part number	Material	Finish	A	B	Weight (g)
19-1-3572	brass	chrome plated	16	8	10



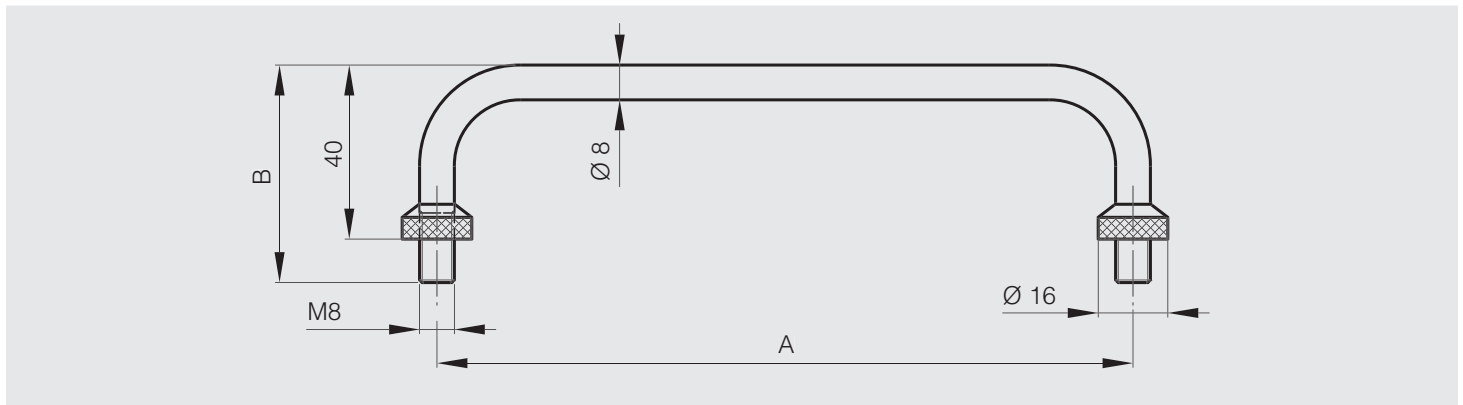


Rear mount grab handles

Rear mounted handles



Part number	Material	Finish	A	B	Weight (g)
19-1-3390	brass	chrome plated	160	50	114

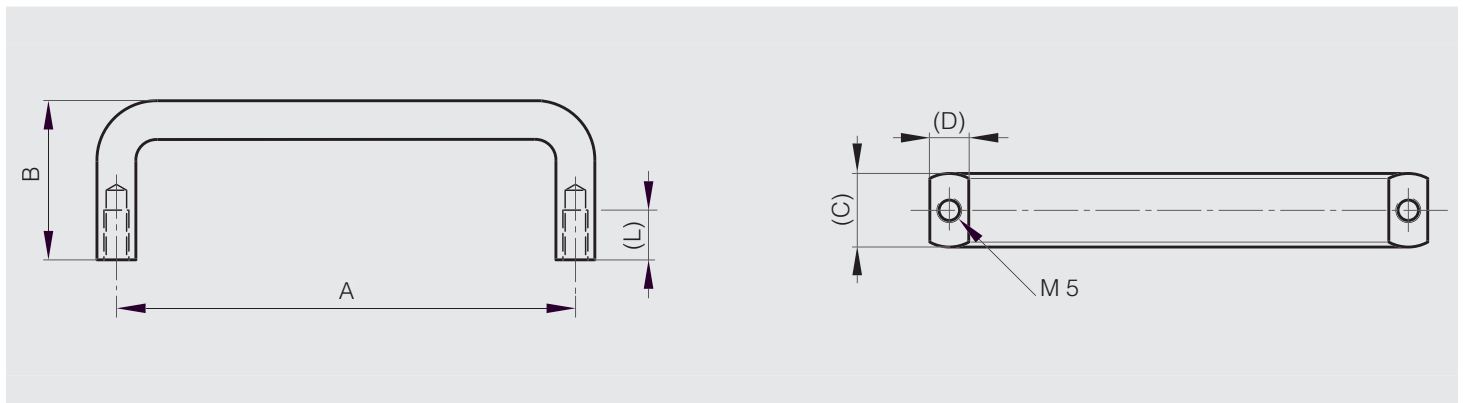


Rear mounted grab handles 92 to 200 mm

Complete with M5 screws for 304 stainless steel version.



Part number	Material	Finish	A	B	C	D	L	Weight (g)
19-1-3833	316 stainless steel	mirror polished	92	32	14.8	7.8	10	120
19-7-3696	304 stainless steel	mirror polished	100	40	14	8	11	120
19-1-3834	316 stainless steel	mirror polished	110	32	14.8	7.8	10	120
19-7-3697	304 stainless steel	mirror polished	150	50	14	8	11	174
19-7-3698	304 stainless steel	mirror polished	200	50	14	8	11	210





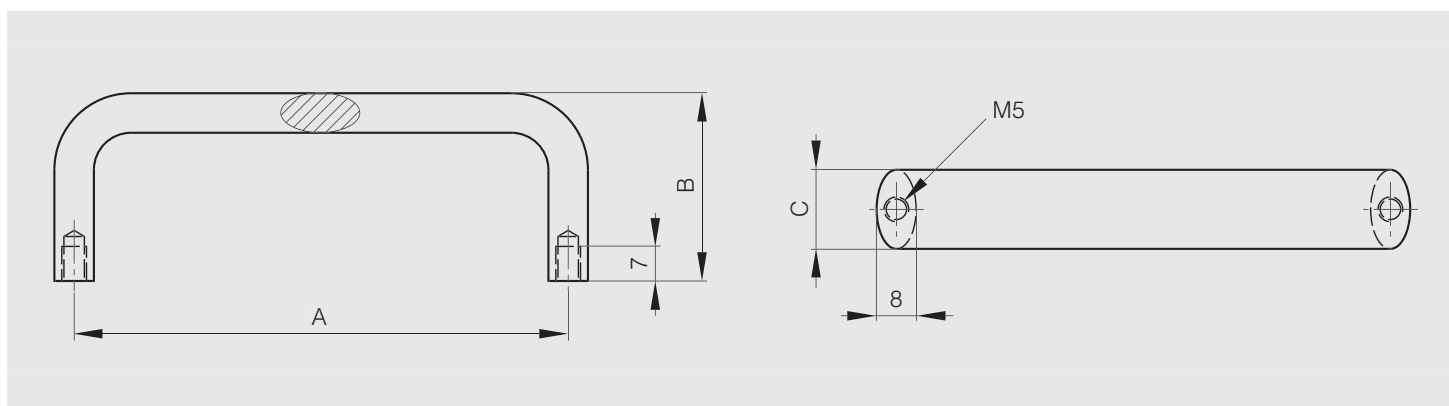
Grab handles

Rear mount grab handles

Black aluminium rear mounted grab handles 75 to 150 mm

ALU

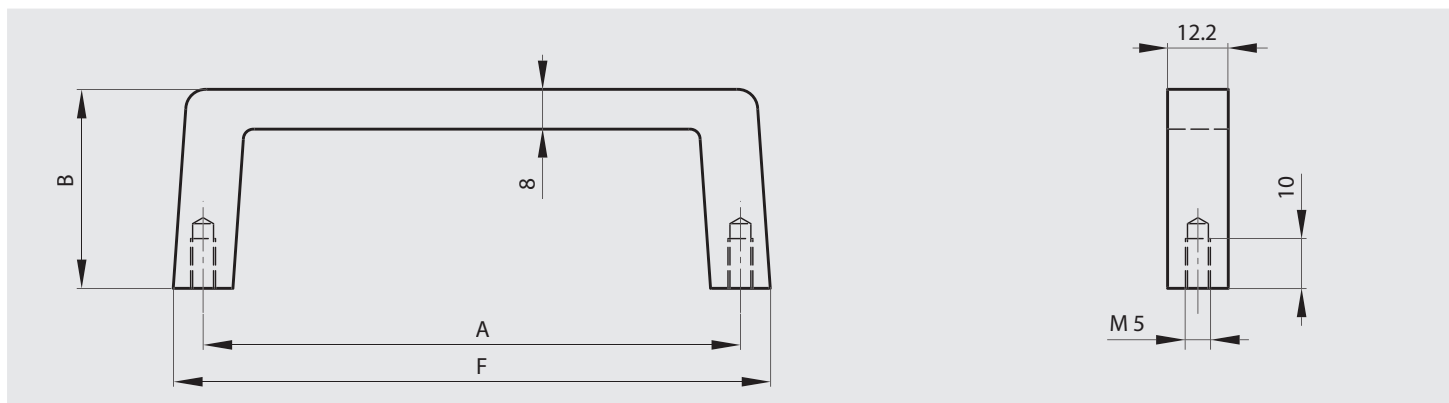
Part number	Material	Finish	A	B	C	Weight (g)
19-1-9001	aluminium	black painting	75	38	16	34
19-1-9002	aluminium	black painting	100	38	16	45
19-1-9003	aluminium	black painting	150	38	16	68



Black aluminium rear mounted grab handles 88 to 120 mm

ALU

Part number	Material	Finish	A	B	F	Weight (g)
19-7-3644	aluminium	matt black	88	40	102	50
19-7-3645	aluminium	matt black	120	40	134	60



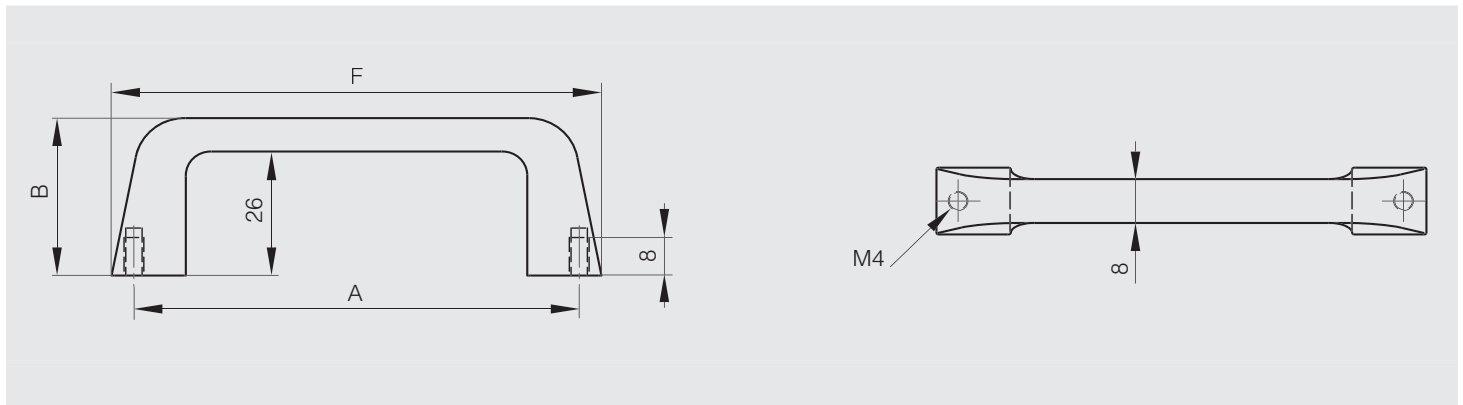


Rear mount grab handles

Chrome plated rear mounted grab handle 90 mm



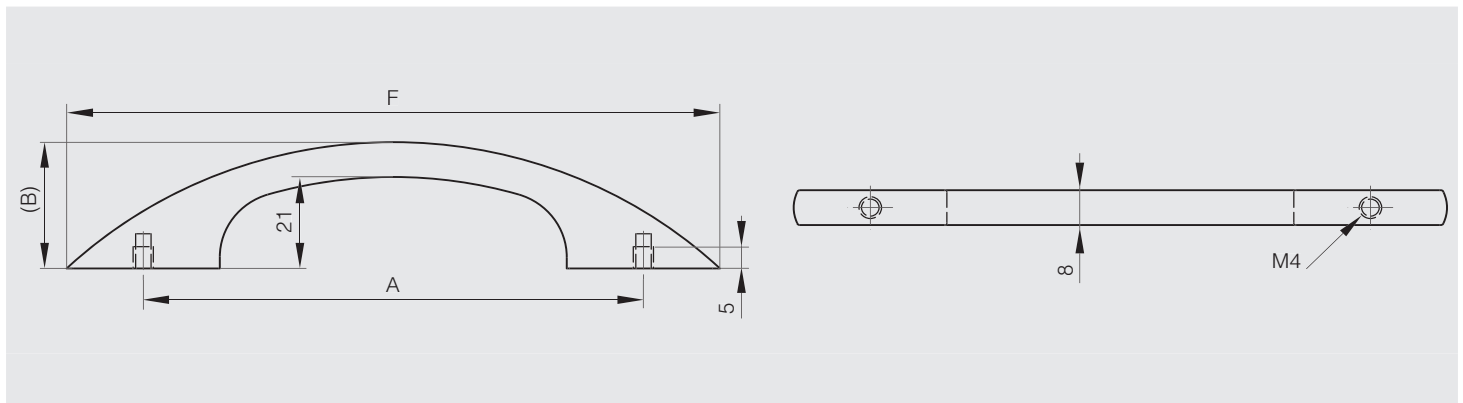
Part number	Material	Finish	A	B	F	Weight (g)
19-7-3426	zinc die-cast	chrome plated	90	33	99	52.5



Chrome plated rear mounted grab handle 111 mm



Part number	Material	Finish	A	B	F	Weight (g)
19-7-3527	zinc die-cast	chrome plated	111	29	145	54.8



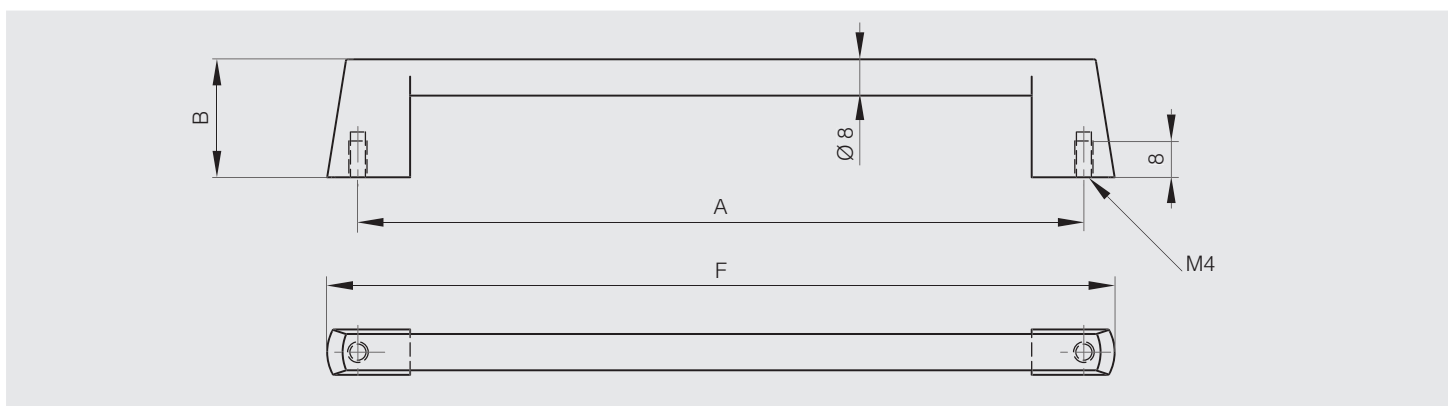


Rear mount grab handles

Chrome plated zinc die-cast rear mounted grab handles 160 mm



Part number	Material	Finish	A	B	F	Weight (g)
19-7-3385	zinc die-cast	chrome plated	160	26	174	84
19-7-3387	zinc die-cast	matt black	160	26	174	84



Moulded grab handle - rear mounted



Part number	Material	Finish	A	B	C	F	Weight (g)
19-1-9000	polymer	black	132	55	25	160	86

