



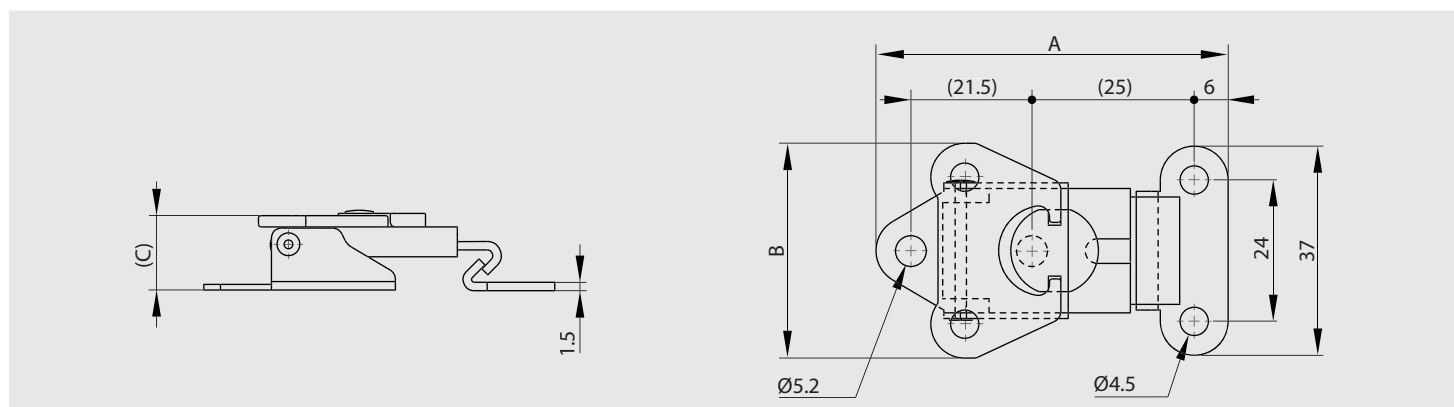
Rotary toggle latches

Rotary toggle latches

Strike included.

STAINLESS
STEEL STEEL

Part number	Material	Finish	A	B	C	Note	Weight (g)
16-1-9012	steel	zinc plated	62	38	13.2	with strike	50
16-1-9013	304 stainless steel	raw	62	38	13.2	with strike	50

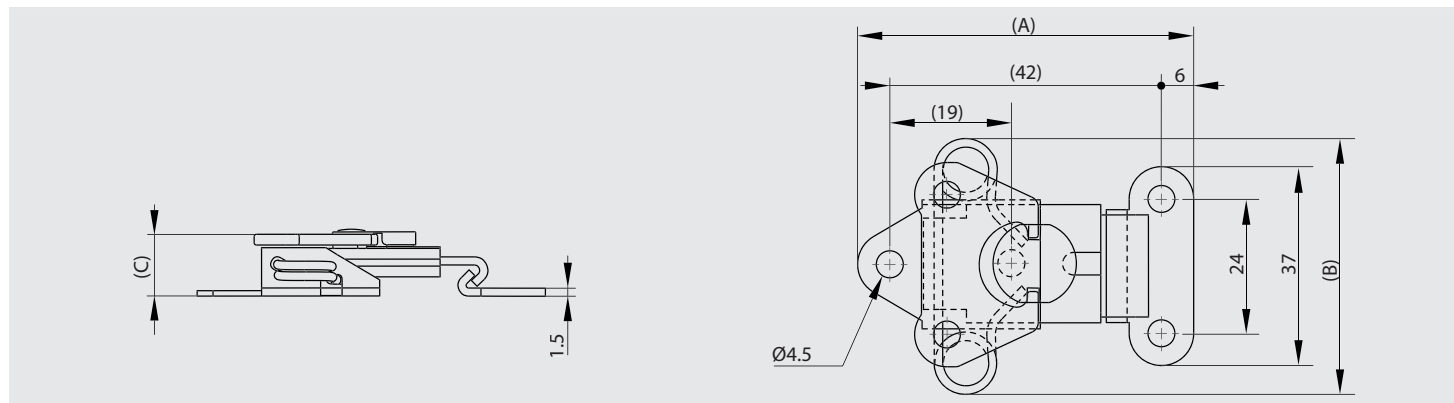


Spring loaded rotary toggle latches

Strike included.

STAINLESS
STEEL STEEL

Part number	Material	Finish	A	B	C	Note	Weight (g)
16-1-9014	steel	zinc plated	62	46	12	with strike	60
16-1-9015	304 stainless steel	raw	62	46	12	with strike	60





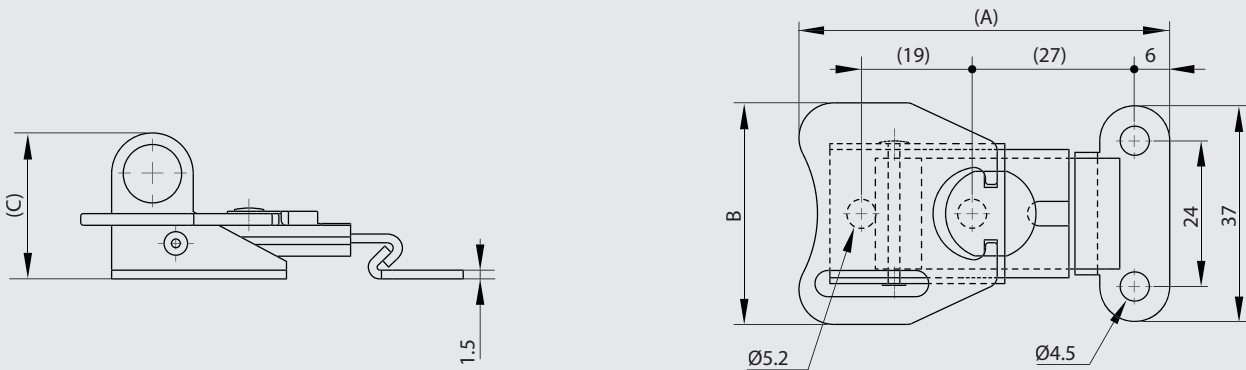
Rotary toggle latches

Padlockable rotary toggle latches

Strike included.

STAINLESS
STEEL STEEL RoHS

Part number	Material	Finish	A	B	C	Note	Weight (g)
16-1-9016	steel	zinc plated	64	38	24	with strike	60
16-1-9017	304 stainless steel	raw	64	38	24	with strike	60





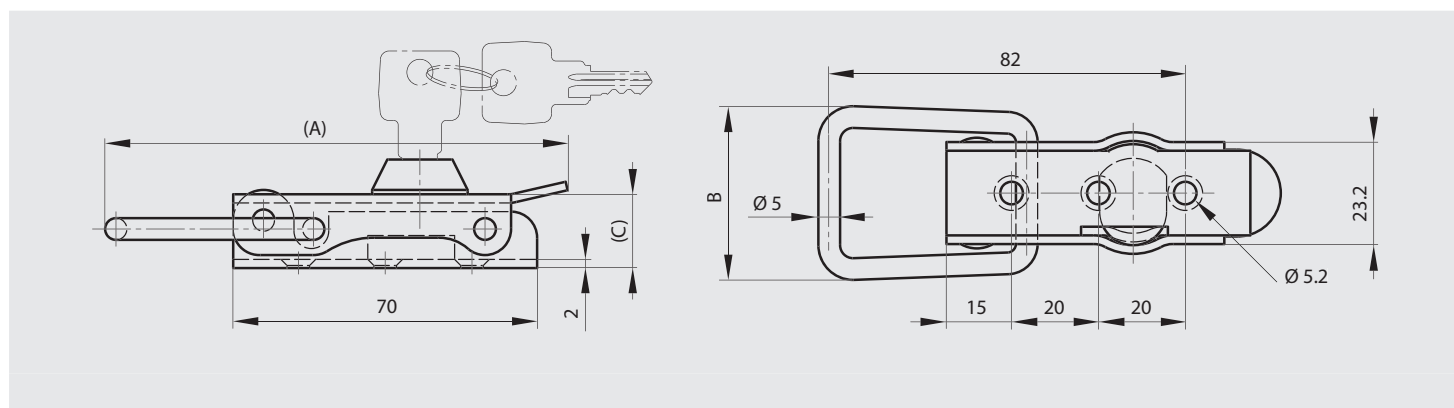
Lockable toggle latch without strike



Keyed alike (2 identical keys).

Strike not included.

Part number	Material	Finish	A	B	C	Weight (g)
16-1-4050	steel	zinc plated	106.5	40	17	132
NEW 16-1-9024	steel	black cataphoresis	106.5	40	17	132
16-1-4257	304 stainless steel	raw	106.5	40	17	132

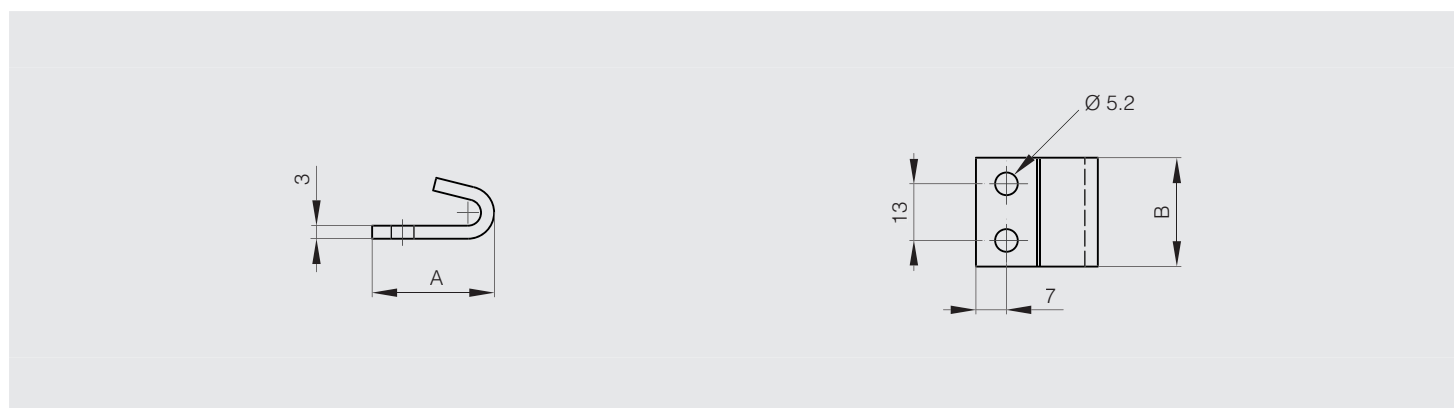


Strikes for part numbers 16-1-4050, 16-1-4257 and 16-7-9024



Possible alternative strikes: 16-1-4038, 16-7-3406 and 16-7-3870.

Part number	Material	Finish	A	B	Weight (g)
16-7-3551	steel	zinc plated	28	25	24
16-7-3601	304 stainless steel	raw	28	25	24





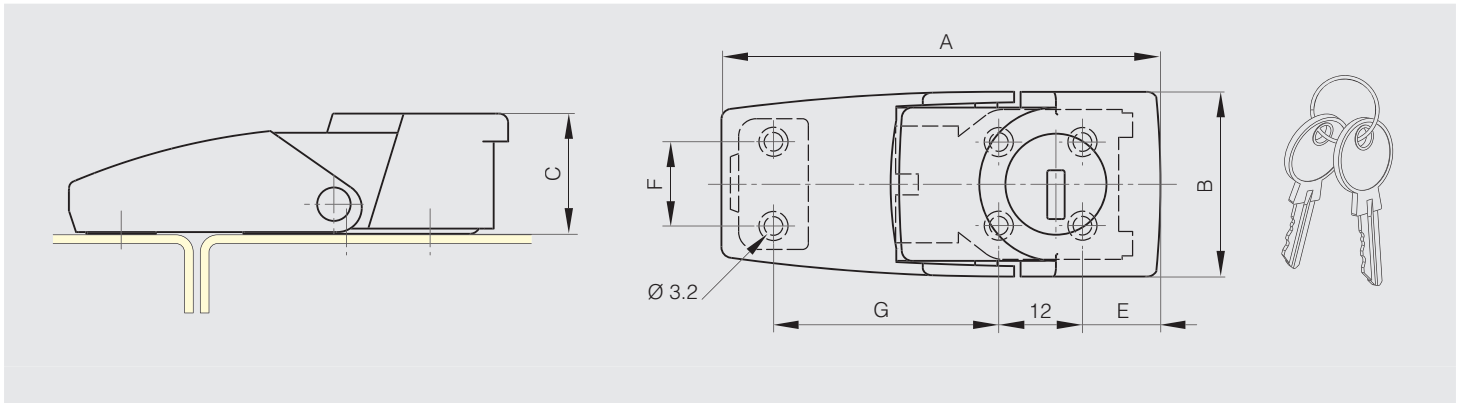
Toggle latches - locking

Zinc die-cast toggle latches with or without lockable options

Available with or without keylock options.
Strike included.



Part number	Material	Finish	A	B	C	E	F	G	Note	Weight (g)
16-1-9003	zinc die-cast	black	64.5	26.5	17.3	13	12	30	with key	72
16-1-9004	zinc die-cast	black	64.5	26.5	17.3	13	12	30	without key	72
16-1-9001	zinc die-cast	black	76	32	21	16.8	16	35.5	with key	118
16-1-9002	zinc die-cast	black	76	32	21	16.8	16	35.5	without key	118

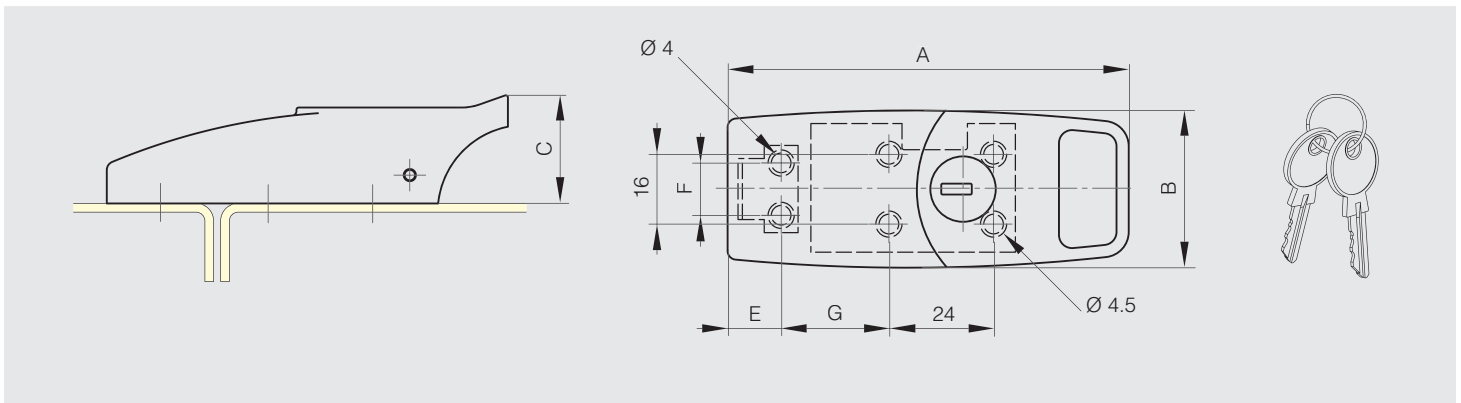


Zinc die-cast toggle latch with lockable options

Strike included.



Part number	Material	Finish	A	B	C	E	F	G	Weight (g)
16-1-9005	zinc die-cast	black	92	36	25	12	12	28-32	168



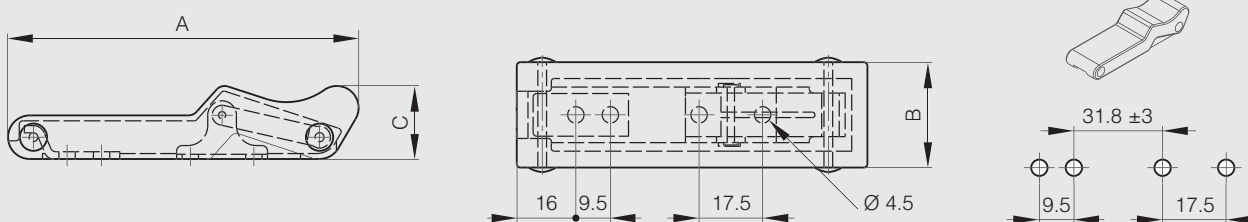


Standard toggle latches

Soft toggle latch



Part number	Material	Finish	A	B	C	Weight (g)
16-1-9006	elastomer	black	96.5	29	20	36

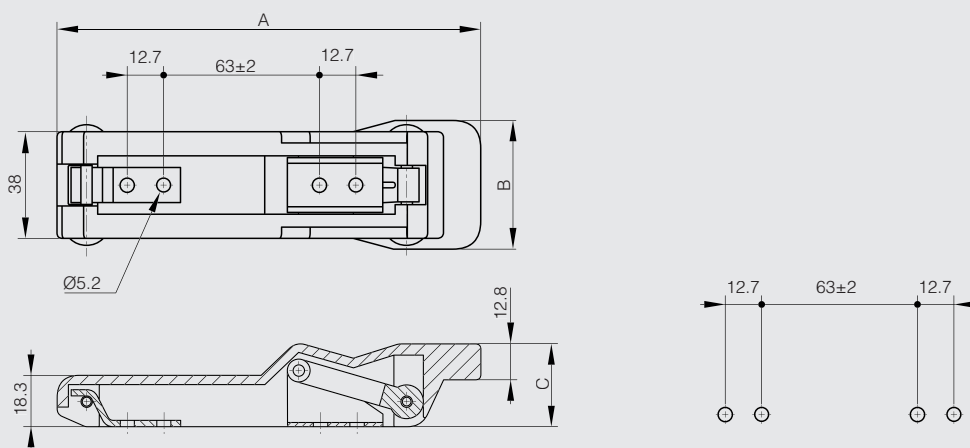


Large soft toggle latch

Stainless steel strike.



Part number	Material	Finish	A	B	C	Weight (g)
16-1-9011	elastomer	black	151	45.7	29.5	130





Toggles latches

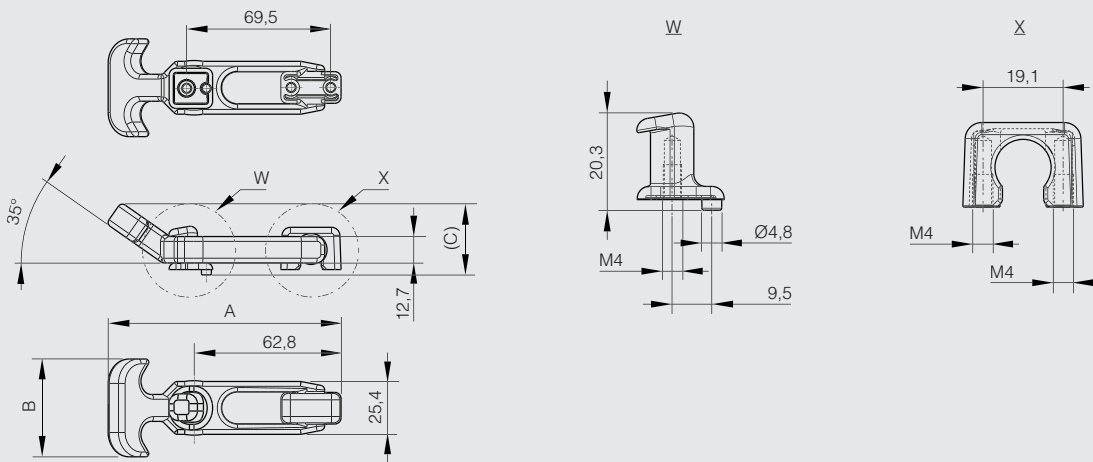
Standard toggle latches

Flexible T-handle latch



Keeper and bracket is Nylon.

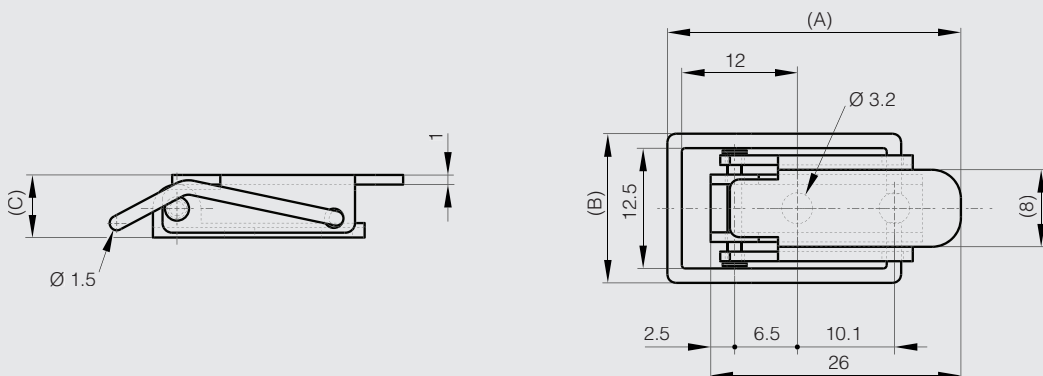
	Part number	Material	Finish	A	B	C	Weight (g)
NEW	16-7-4276	elastomer	black	112	47	34	39



Mini toggle latch without strike - 30.5 mm



	Part number	Material	Finish	A	B	C	Weight (g)
NEW	16-1-4111	steel	zinc plated	30.5	15.4	6.5	4





Standard toggle latches

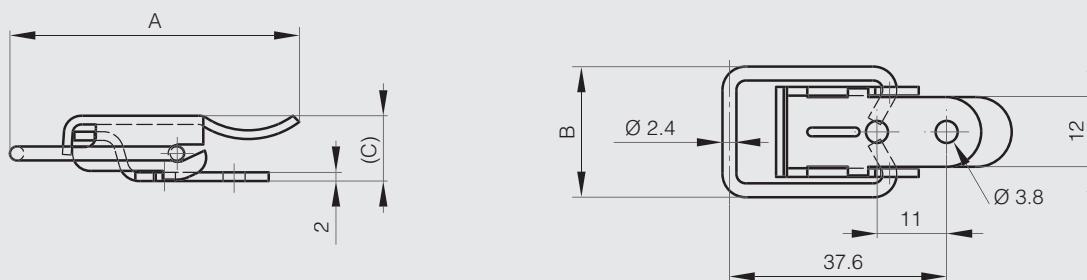
Toggle latches without strike - 50 mm

These latches are used with strike part numbers 16-7-3414, 16-7-3529 and 16-7-3531.

Padlockable option available for part number 16-7-3394.



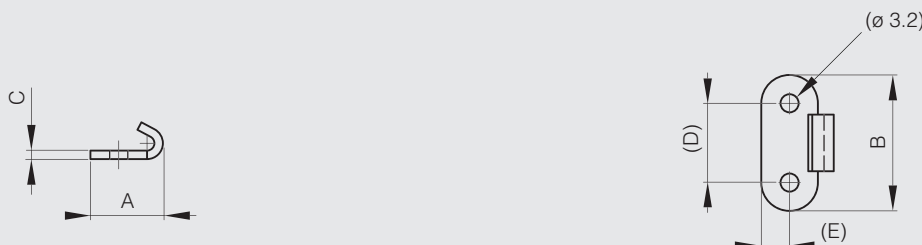
Part number	Material	Finish	A	B	C	Note	Weight (g)
16-7-3410	steel	zinc plated	50	22	12.5	drilled	20
16-7-3525	304 stainless steel	raw	50	22	12.5	drilled	20
16-7-3527	304 stainless steel	raw	50	23.4	11.7	undrilled	20



Strikes for part numbers 16-7-3410, 16-7-3525 and 16-7-3527



Part number	Material	Finish	A	B	C	D	E	Note	Weight (g)
16-7-3414	steel	zinc plated	13.7	24	1.5	14	5	drilled	3.5
16-7-3531	304 stainless steel	raw	13.4	24	1.5			undrilled	3.5
16-7-3529	304 stainless steel	raw	13.4	24	1.5	14	5	drilled	3.5



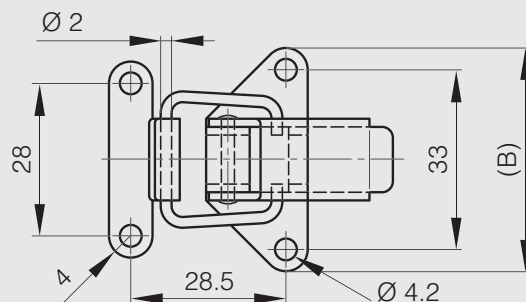
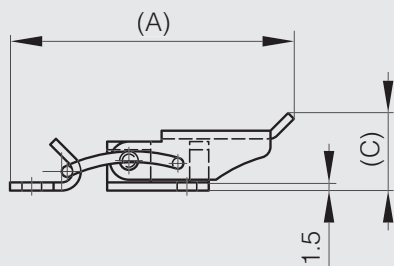


Standard toggle latches

Toggle latches with strike - 52 mm

STAINLESS
STEEL STEEL

Part number	Material	Finish	A	B	C	Weight (g)
16-7-3845	steel	zinc plated	52	41	13.5	23
16-7-3846	304 stainless steel	raw	52	41	13.5	23



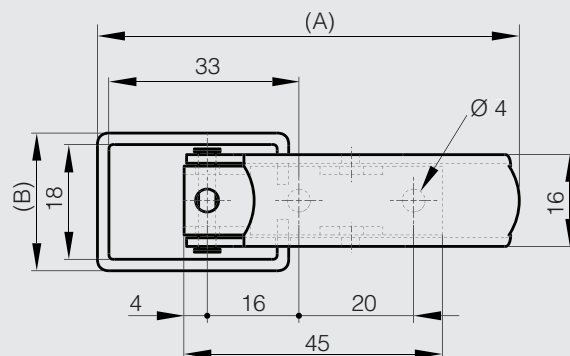
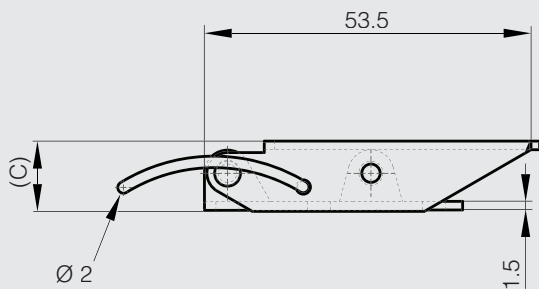
Toggle latch without strike - 73.5 mm

With seal wire hole.
Strike not included.



STEEL

	Part number	Material	Finish	A	B	C	Weight (g)
NEW	16-1-4130	steel	zinc plated	73.5	22	13	29





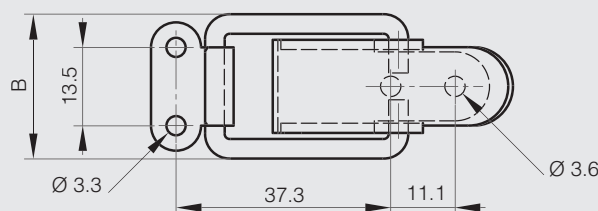
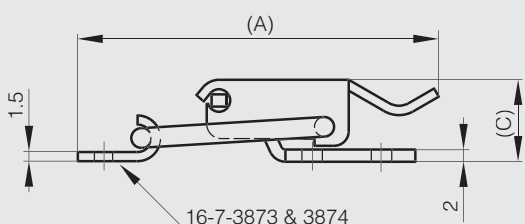
Standard toggle latches

Toggle latches without strike - 58.1 mm

This latch is used with strike, part numbers 16-7-3873 and 16-7-3874.



Part number	Material	Finish	A	B	C	Weight (g)
16-7-3875	steel	zinc plated	58.1	23.4	12.7	32
16-7-3876	304 stainless steel	raw	58.1	23.4	12.7	32



Strikes for part numbers 16-7-3875 and 16-7-3876



Part number	Material	Finish	Weight (g)
16-7-3873	steel	zinc plated	3.5
16-7-3874	304 stainless steel	raw	3.5





Standard toggle latches

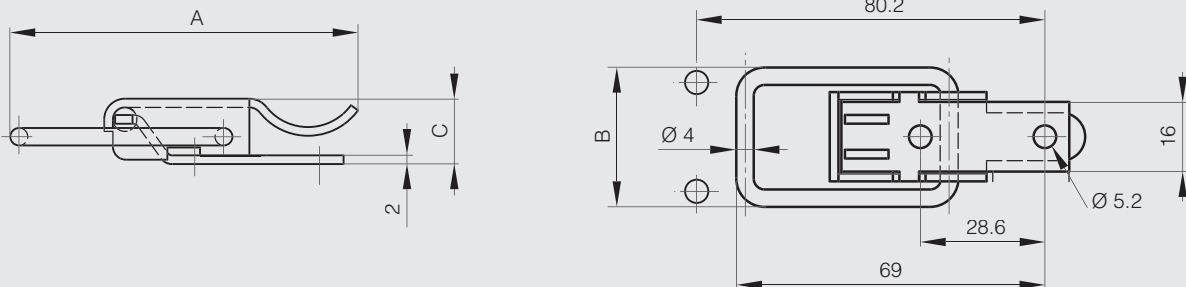
Toggle latches without strike - 80.2 mm

The latches are used with strikes part numbers 16-7-3415 and 16-7-3530.

Latches are available with padlockable option part numbers 16-7-3395, 16-7-3397, 16-7-3723 and 16-7-3724.



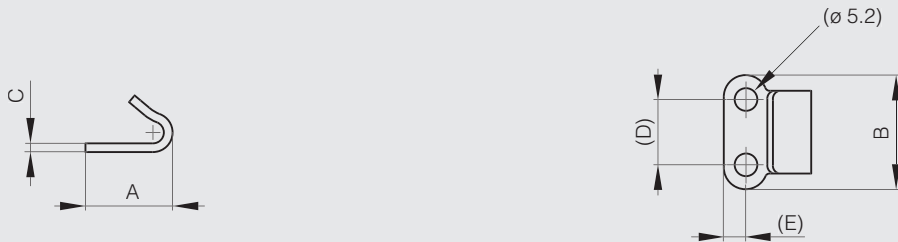
Part number	Material	Finish	A	B	C	Note	Weight (g)
16-7-3411	steel	zinc plated	80.2	32	14.5	drilled	53.5
16-7-3526	304 stainless steel	raw	80.2	32	14.5	drilled	53.5



Strikes for part numbers 16-7-3411 and 16-7-3526



Part number	Material	Finish	A	B	C	D	E	Note	Weight (g)
16-7-3415	steel	zinc plated	20	26.2	2	15	5.1	drilled	9
16-7-3530	304 stainless steel	raw	20	26.5	2	15	5.2	drilled	9





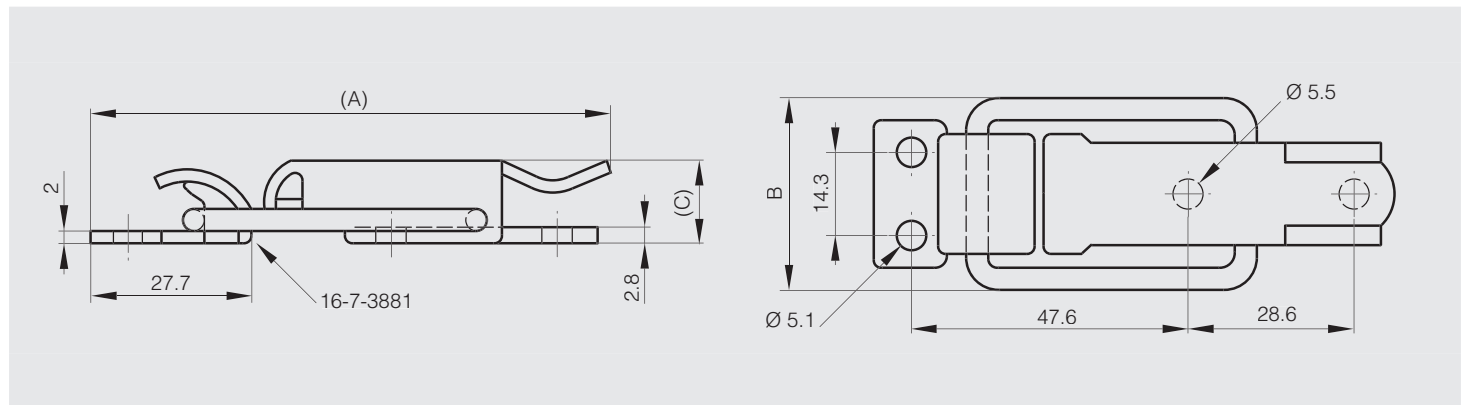
Standard toggle latches

Toggle latch without strike - 89.7 mm

This latch is used with strike part number 16-7-3881.

STEEL RoHS

Part number	Material	Finish	A	B	C	Weight (g)
16-7-3880	steel	zinc plated	89.7	33	14.2	68



Strike for part number 16-7-3880

STEEL RoHS

Part number	Material	Finish	Weight (g)
16-7-3881	steel	zinc plated	9





Standard toggle latches

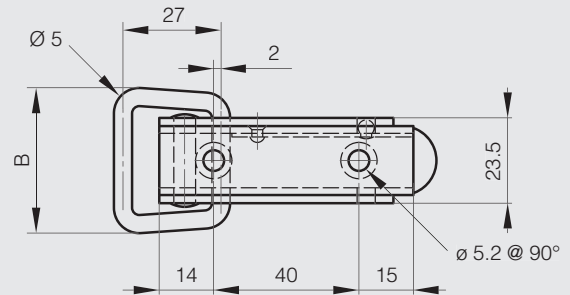
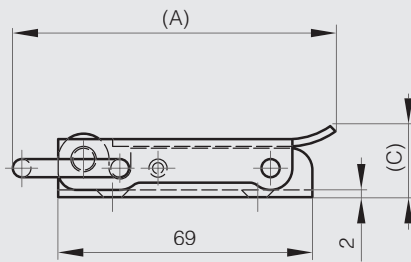
Toggle latches without strike - 88.5 mm

Punched holes.

These latches are used with strike part numbers 16-7-3551 and 16-7-3601.



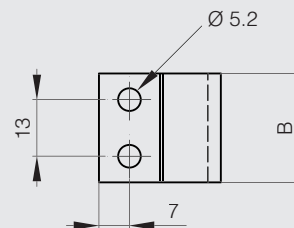
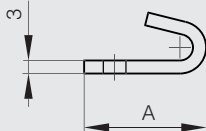
Part number	Material	Finish	A	B	C	Weight (g)
16-7-3508	steel	zinc plated	88.5	40	20	106
16-7-3829	304 stainless steel	raw	88.5	40	20	106



Strikes for part numbers 16-7-3508 and 16-7-3829



Part number	Material	Finish	A	B	Weight (g)
16-7-3551	steel	zinc plated	28	25	24
16-7-3601	304 stainless steel	raw	28	25	24





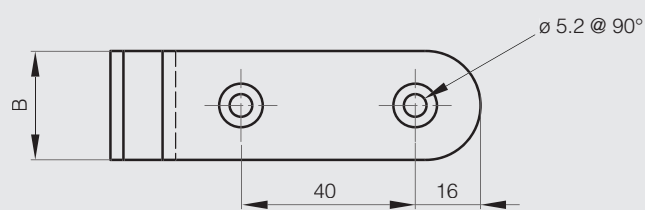
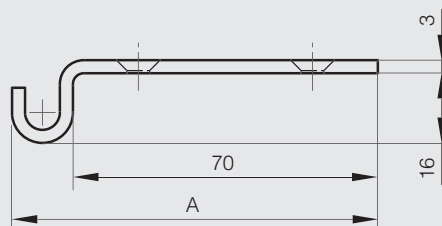
Standard toggle latches

Other strikes for part numbers 16-7-3508 and 16-7-3829

Drilled and countersunk for 4,5 mm diameter screws.



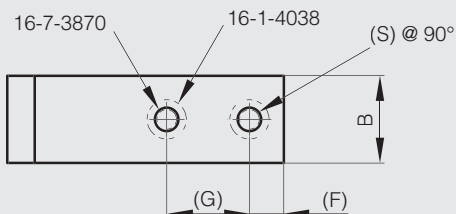
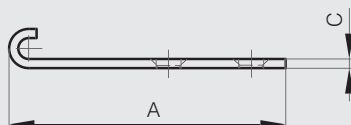
Part number	Material	Finish	A	B	Weight (g)
16-7-3406	steel	zinc plated	85	25	57
16-7-3828	304 stainless steel	raw	85	25	57



Other strikes for part number 16-7-3508



Part number	Material	Finish	A	B	C	F	G	S	Weight (g)
16-1-4038	steel	zinc plated	63	25	3	8.8	26	4.5	42
16-7-3870	steel	zinc plated	63.5	20	2	7.9	19	5.4	24





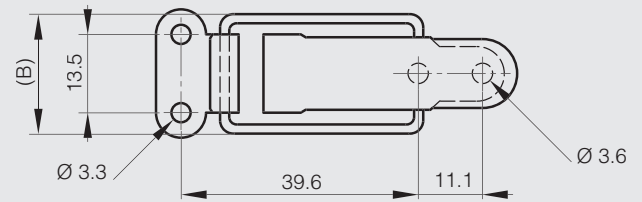
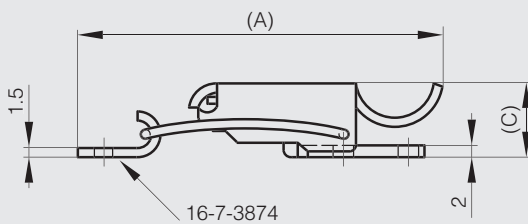
Standard toggle latches

Toggle latches without strike (consistent tension)

This latch is used with strike part number 16-7-3874.



Part number	Material	Finish	A	B	C	Weight (g)
16-7-3891	304 stainless steel	raw	58.6	20.6	12.7	27



Strike for part number 16-7-3891



Part number	Material	Finish	Weight (g)
16-7-3874	304 stainless steel	raw	3.5



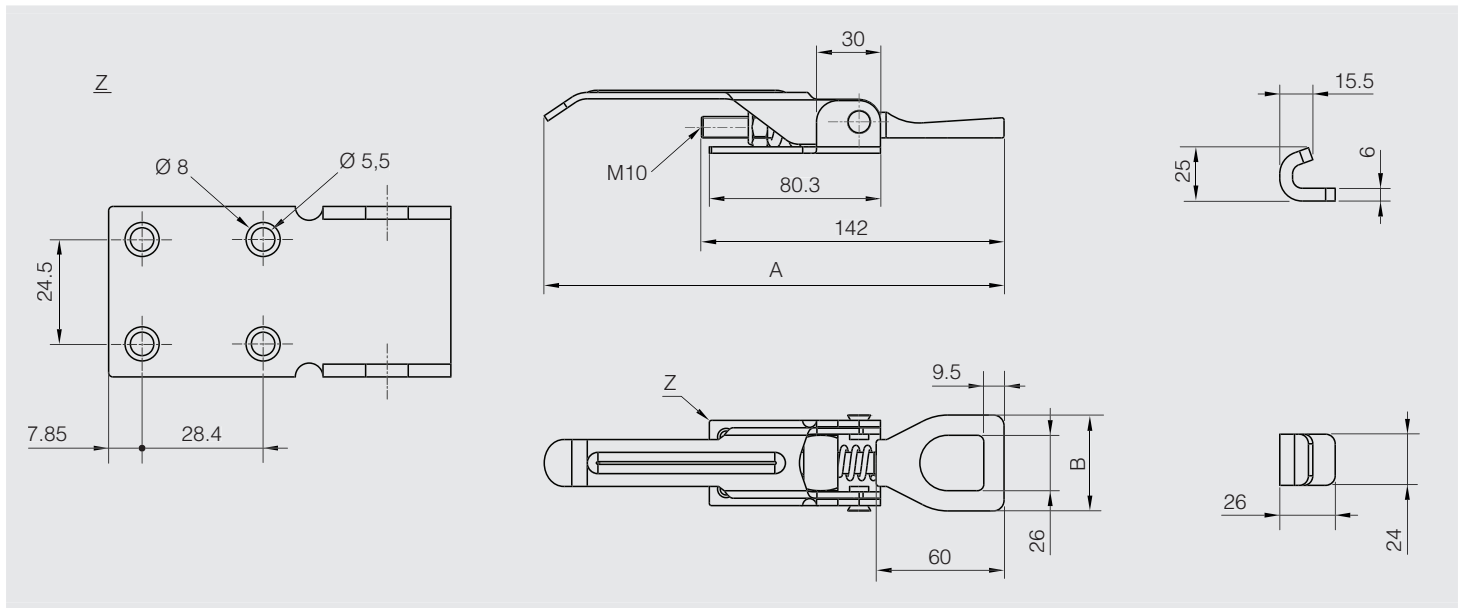


Heavy duty toggle latch with strike



STEEL RoHS

	Part number	Material	Finish	A	B	Weight (g)
NEW	16-7-4277	steel	zinc plated	215.8	45	47





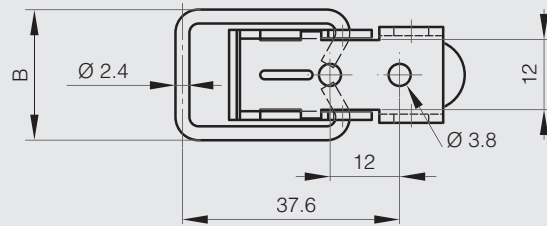
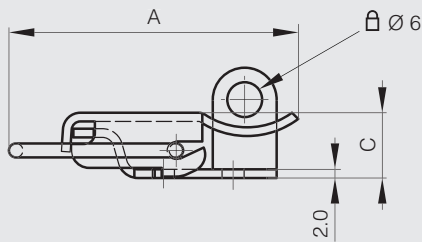
Padlockable toggle latches

Padlockable toggle latches - 49 mm

This latch is used with strike part number 16-7-3414.

STEEL RoHS

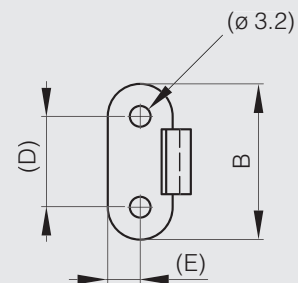
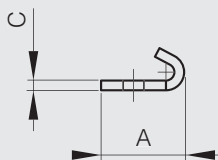
Part number	Material	Finish	A	B	C	Weight (g)
16-7-3394	steel	zinc plated	49	22.5	19	25



Strike for part number 16-7-3394

STEEL RoHS

Part number	Material	Finish	A	B	C	D	E	Note	Weight (g)
16-7-3414	steel	zinc plated	13.7	24	1.5	14	5	drilled	3.5





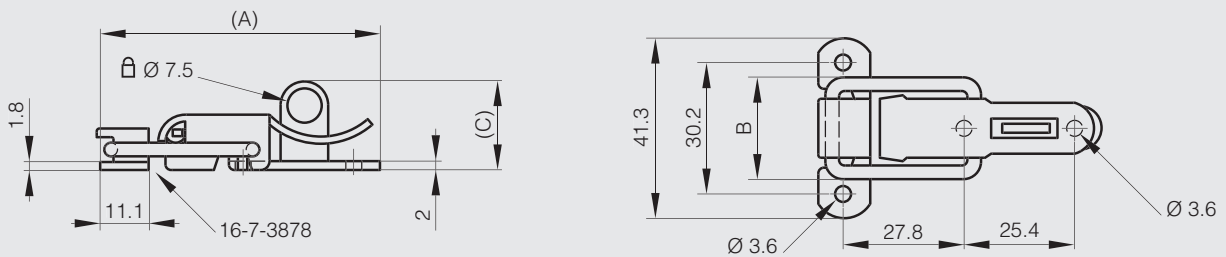
Padlockable toggle latches

Padlockable toggle latch without strike - 65 mm

This latch is used with strike part number 16-7-3878.

STEEL RoHS

Part number	Material	Finish	A	B	C	Weight (g)
16-7-3879	steel	zinc plated	65	23.4	20.3	36



Strike for part number 16-7-3879

STEEL RoHS

Part number	Material	Finish	Weight (g)
16-7-3878	steel	zinc plated	4.5





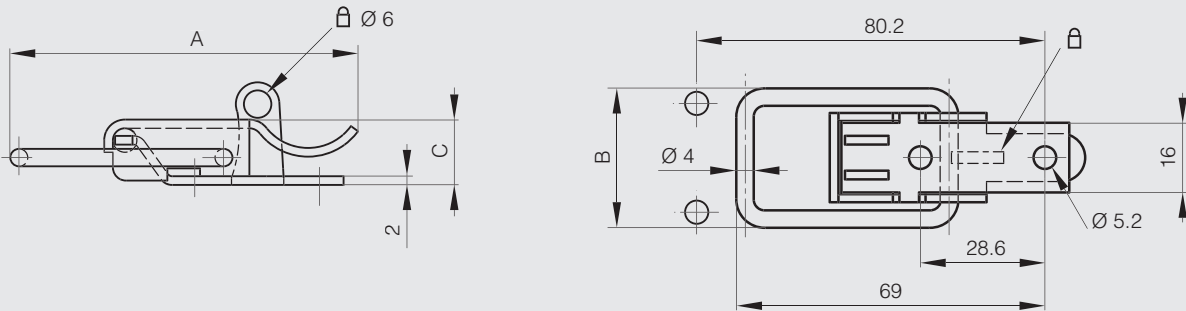
Padlockable toggle latches

Padlockable toggle latches - 80.2 mm

These latches are used with strike part numbers 16-7-3729 and 16-7-3730.



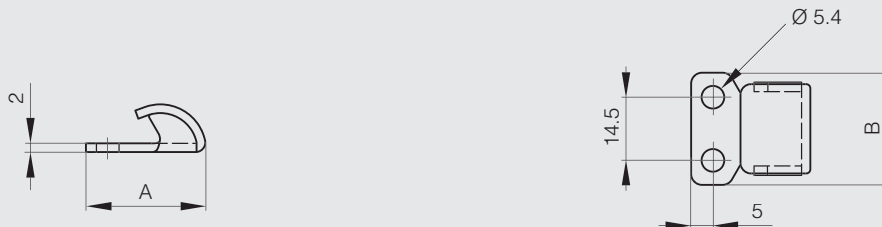
Part number	Material	Finish	A	B	C	Note	Weight (g)
16-7-3723	steel	zinc plated	80.2	32	23.5	drilled	55
16-7-3724	304 stainless steel	raw	80.2	32	23.5	drilled	55



Strikes for part numbers 16-7-3723 and 16-7-3724



Part number	Material	Finish	A	B	Note	Weight (g)
16-7-3729	steel	zinc plated	27.4	26	drilled	10
16-7-3730	304 stainless steel	raw	27.4	26	drilled	10





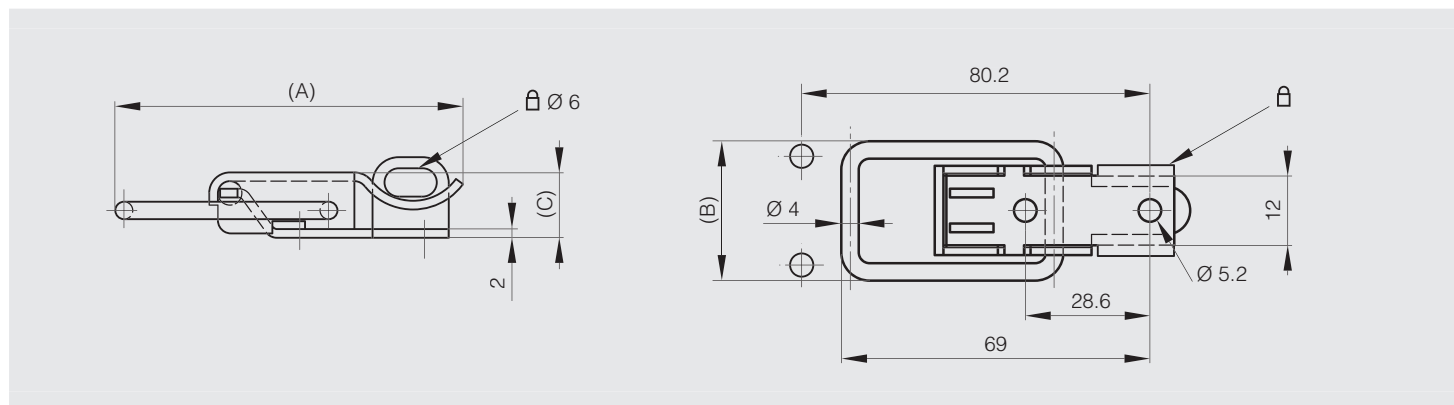
Padlockable toggle latches

Padlockable toggle latches - 80.5 mm

This latch is used with strike part number 16-7-3415.

STEEL RoHS

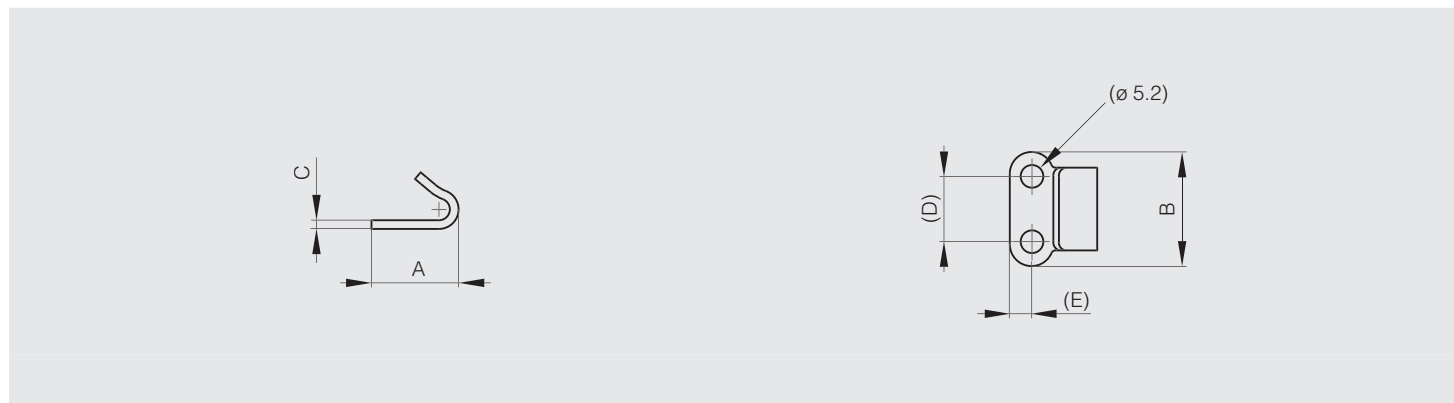
Part number	Material	Finish	A	B	C	Note	Weight (g)
16-7-3397	steel	raw	80.5	32	18.5	drilled	58.5
16-7-3395	steel	zinc plated	80.5	32	15	drilled	58.5



Strike for part numbers 16-7-3395 and 16-7-3397

STEEL RoHS

Part number	Material	Finish	A	B	C	D	E	Note	Weight (g)
16-7-3415	steel	zinc plated	20	26.2	2	15	5.1	drilled	9





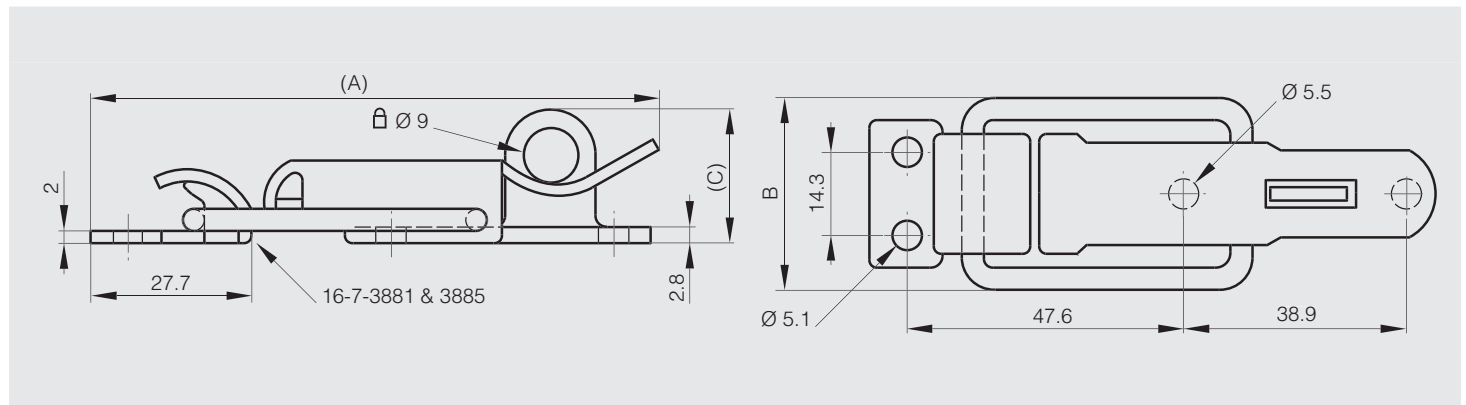
Padlockable toggle latches

Padlockable toggle latches - 97.6 mm

This latch is used with strike part numbers 16-7-3881 and 16-7-3885.



Part number	Material	Finish	A	B	C	Weight (g)
16-7-3883	steel	zinc plated	97.6	33	23.1	68
16-7-3884	304 stainless steel	raw	97.5	33	23.1	68



Strikes for part numbers 16-7-3883 and 16-7-3884



Part number	Material	Finish	Weight (g)
16-7-3881	steel	zinc plated	9
16-7-3885	304 stainless steel	raw	9





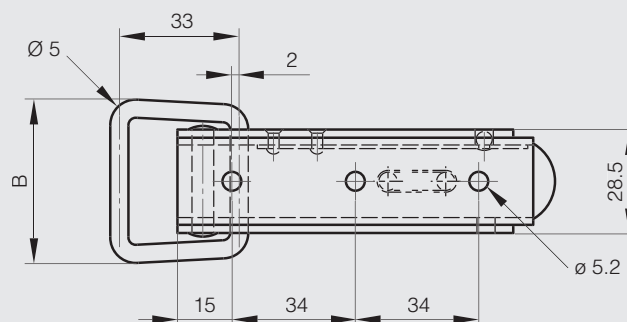
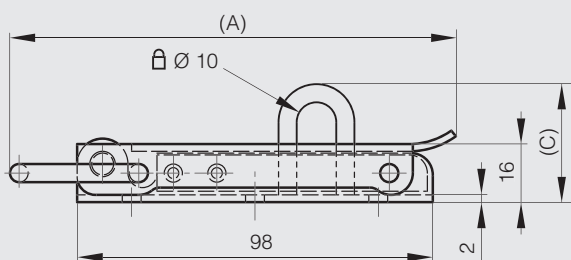
Padlockable toggle latches

Padlockable toggle latch - 122 mm

This latch is used with strike part number 16-7-3551.

STEEL RoHS

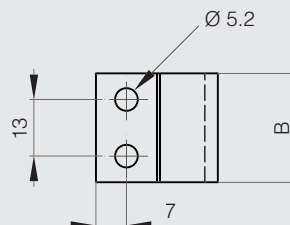
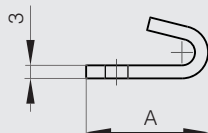
Part number	Material	Finish	A	B	C	Weight (g)
16-7-3664	steel	zinc plated	122	45	32.5	176



Strike for part number 16-7-3664

STEEL RoHS

Part number	Material	Finish	A	B	Weight (g)
16-7-3551	steel	zinc plated	28	25	24





Padlockable toggle latches

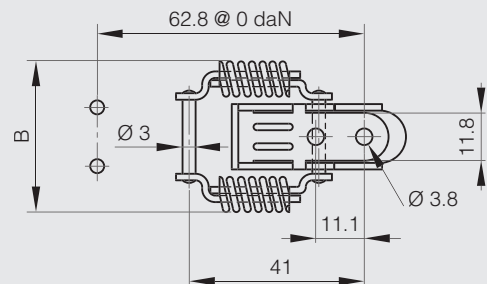
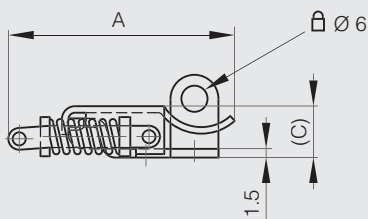
Spring loaded and padlockable toggle latches - 52 mm

Dimension A (52 mm) without tension. Dimension A can be extended up to 3 mm putting the latch under tension.

These latches are used with strike part numbers 16-7-3739, 16-7-3741 and 16-7-3742.



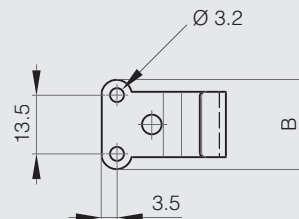
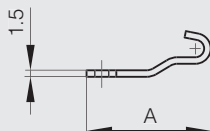
Part number	Material	Finish	A	B	C	Weight (g)
16-7-3759	steel	zinc plated	55.5	34.5	12	32
16-7-3760	304 stainless steel	raw	55.5	34.5	12	32



Strikes for part numbers 16-7-3759 and 16-7-3760



Part number	Material	Finish	A	B	Note	Weight (g)
16-7-3741	steel	zinc plated	28.5	20.5	drilled	3.5
16-7-3739	304 stainless steel	raw	28.5	20.5	undrilled	3.5
16-7-3742	304 stainless steel	raw	28.5	20.5	drilled	3.5





Padlockable toggle latches

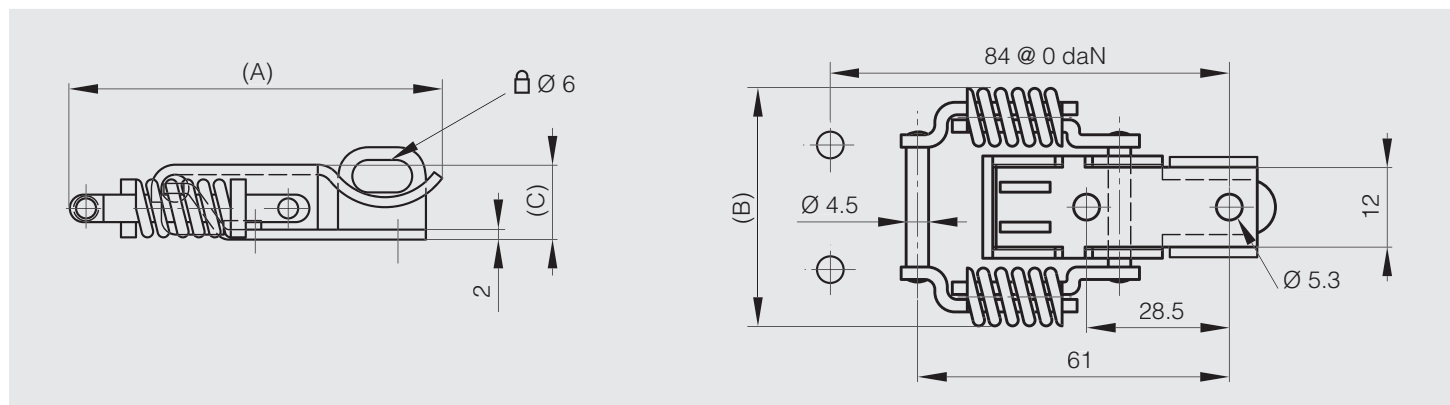
Spring loaded and padlockable toggle latches - 74 mm

Dimension A (74 mm) without tension. Dimension A can be extended up to 4 mm putting the latch under tension.

This latch is used with strike part numbers 16-7-3751, 16-7-3753 and 16-7-3754.



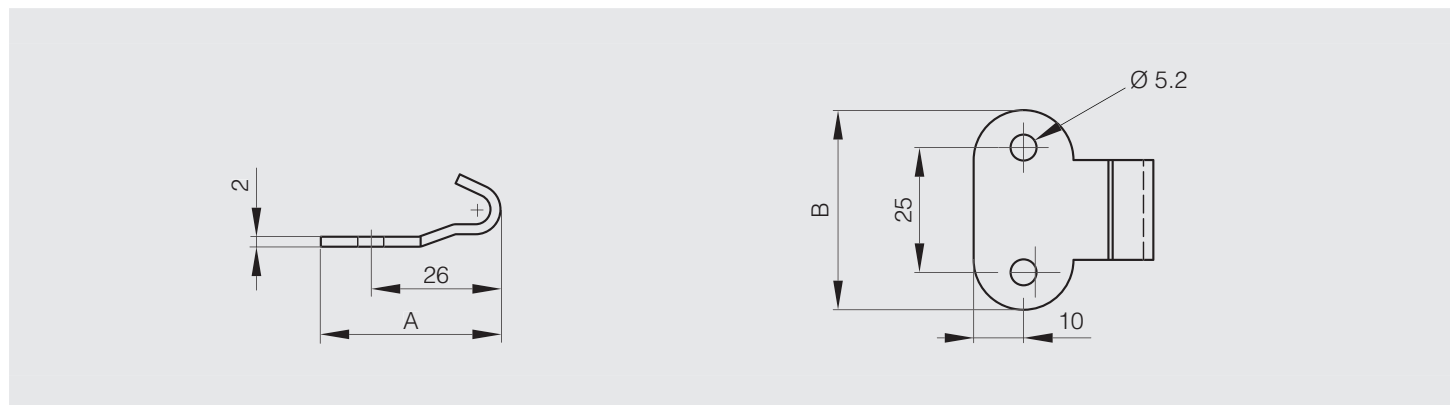
Part number	Material	Finish	A	B	C	Note	Weight (g)
16-7-3765	steel	zinc plated	74	46.5	15		75
16-7-3766	304 stainless steel	raw	74	46.5	15	drilled	75



Strikes for part numbers 16-7-3765 and 16-7-3766



Part number	Material	Finish	A	B	Note	Weight (g)
16-7-3753	steel	zinc plated	36	40	drilled	20
16-7-3751	304 stainless steel	raw	36	40	undrilled	20
16-7-3754	304 stainless steel	raw	36	40	drilled	20





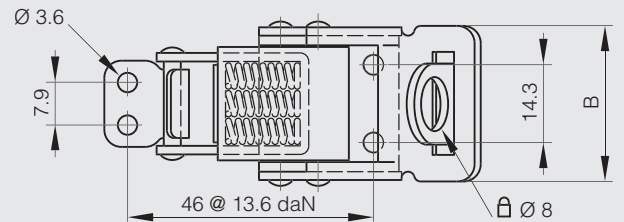
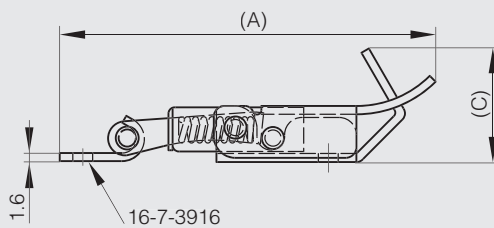
Padlockable toggle latches

Spring loaded and padlockable toggle latch - 70.9 mm

This latch is used with strike part number 16-7-3916.



Part number	Material	Finish	A	B	C	Weight (g)
16-7-3917	304 stainless steel	raw	70.9	28.7	23.1	50



Strike for part number 16-7-3917



Part number	Material	Finish	Weight (g)
16-7-3916	304 stainless steel	raw	4.5



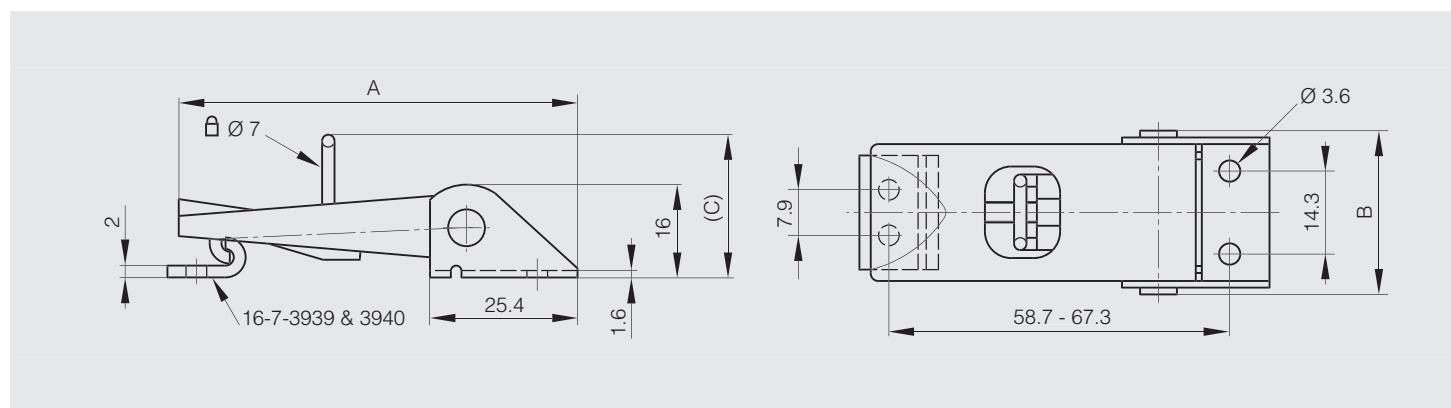


Adjustable toggle latches - padlockable - 70.6 mm

This latch is used with strike part numbers 16-7-3939 and 16-7-3940.



Part number	Material	Finish	A	B	C	Weight (g)
16-7-3938	304 stainless steel	raw	70.6	28.2	16	50



Strikes for part number 16-7-3938

Strikes for part numbers 16-7-3938.



Part number	Material	Finish	Weight (g)
16-7-3939	steel	zinc plated	4.5
16-7-3940	304 stainless steel	raw	4.5



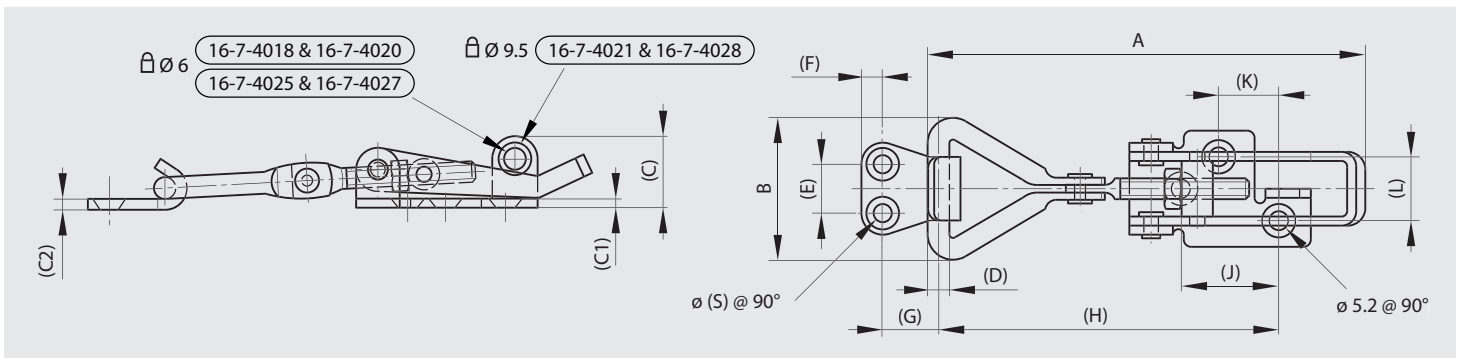


Padlockable toggle latches

Adjustable toggle latches with strike - padlockable - 82 mm to 118 mm



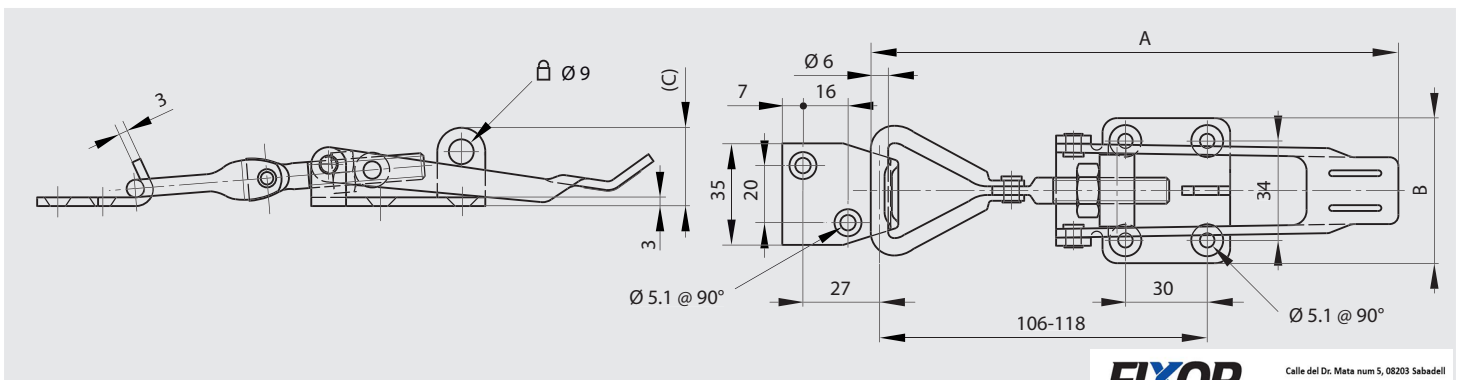
Part number	Material	Finish	A	B	C	C1	C2	D	E	F	G	H	J	K	L	S	Note	Weight (g)
16-7-4018	steel	zinc plated	82	27	19	2	2	4	14	4.5	10	62-72	22	11	14	4	82<A<92	48
16-7-4020	steel	zinc plated	108	34	17	2.5	3	5	17	6	10	85-96	27	16	18	5.2	108<A<119	102
16-7-4021	steel	zinc plated	118	39	22	3	2.5	6	20	6	18	85-96	33	15	20	5.2	118<A<129	124
16-7-4025	304 stainless steel	raw	82	27	19	2	2	4	14	4.5	10	62-72	22	11	14	4	82<A<92	48
16-7-4027	304 stainless steel	raw	108	34	17	2.5	3	5	17	6.5	10	85-96	27	16	18	5.2	108<A<119	102
16-7-4028	304 stainless steel	raw	118	39	22	3	2.5	6	20	6.5	18	85-96	33	15	20	5.2	118<A<129	124



Adjustable toggle latches with strike - padlockable - 174 mm



Part number	Material	Finish	A	B	C	Note	Weight (g)
16-7-4023	steel	zinc plated	174	50	27	174<A<186	236
16-7-4030	304 stainless steel	raw	174	50	27	174<A<186	236





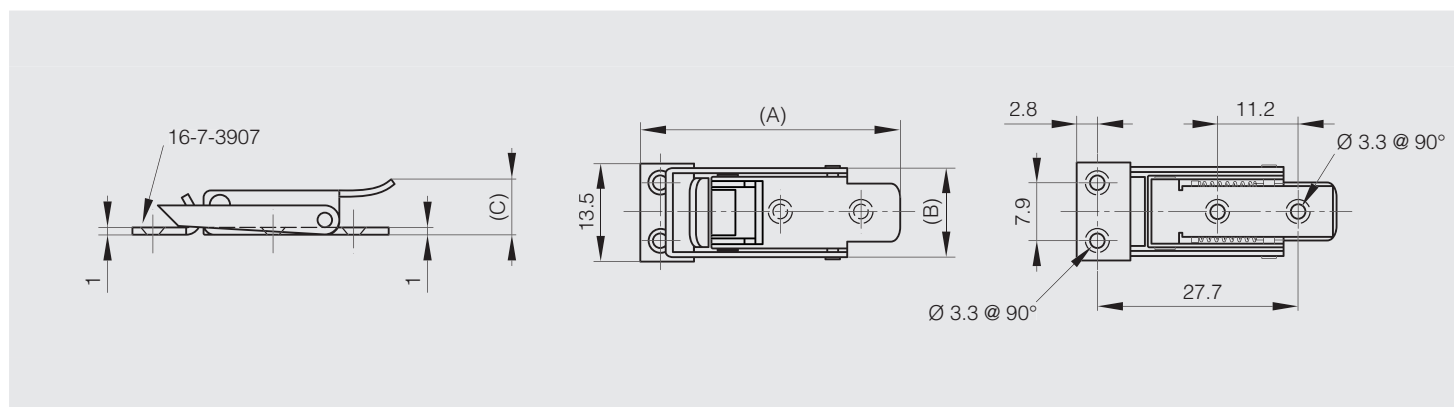
Spring loaded toggle latches

Spring loaded toggle latch without strike 35.8 mm

This small latch is used with strike part number 16-7-3907.



Part number	Material	Finish	A	B	C	Weight (g)
16-7-3906	304 stainless steel	raw	35.8	12.3	7.9	9



Strike for part number 16-7-3906



Part number	Material	Finish	Weight (g)
16-7-3907	304 stainless steel	raw	4.5





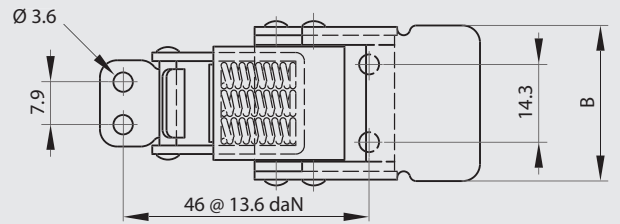
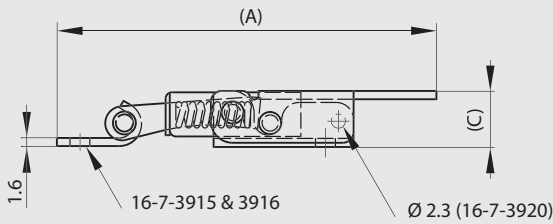
Spring loaded toggle latches

Spring loaded toggle latches without strike - 70.8 mm

These latches are used with strike part numbers 16-7-3915 and 16-7-3916.



Part number	Material	Finish	A	B	C	Note	Weight (g)
16-7-3910	steel	zinc plated	70.8	28.7	10.2		50
16-7-3911	304 stainless steel	raw	70.8	28.7	10.2		50
16-7-3920	304 stainless steel	raw	70.8	28.7	10.2	with seal wire hole	50



Spring loaded toggle latch without strike - with push button

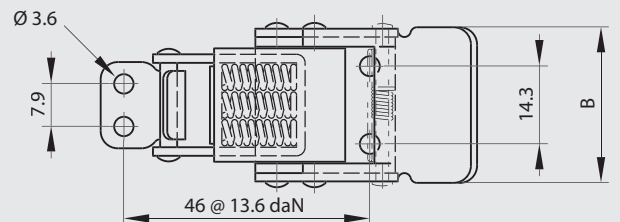
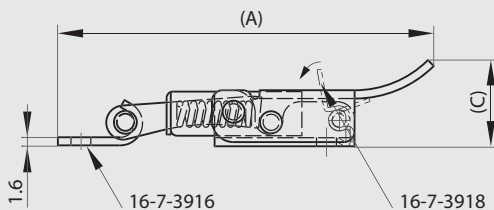
The push button prevents accidental opening.

This latch is used with strike part number 16-7-3916.

A padlockable option is available for part number 16-7-3917.



Part number	Material	Finish	A	B	C	Note	Weight (g)
16-7-3918	304 stainless steel	raw	70.9	28.7	14.7	with push button to open / no seal wire hole	50



Strikes for part numbers 16-7-3910, 16-7-3911, 16-7-3918 and 16-7-3920



Part number	Material	Finish	Weight (g)
16-7-3915	steel	zinc plated	4.5
16-7-3916	304 stainless steel	raw	4.5





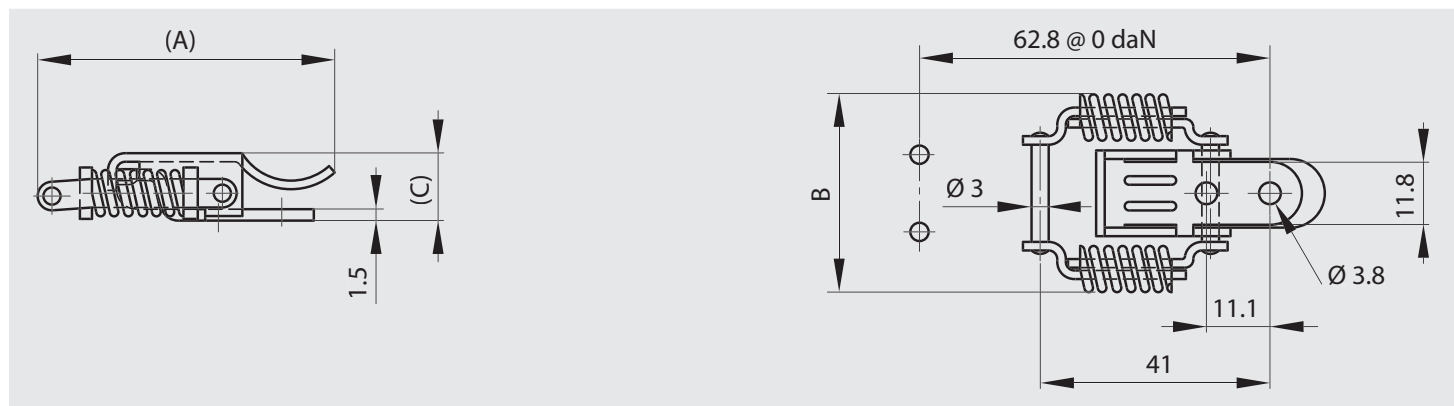
Spring loaded toggle latches without strike - 52 mm

These latches are used with strike part numbers 16-7-3739, 16-7-3741 and 16-7-3742.

Padlockable options are available for part numbers 16-7-3759 and 16-7-3760.



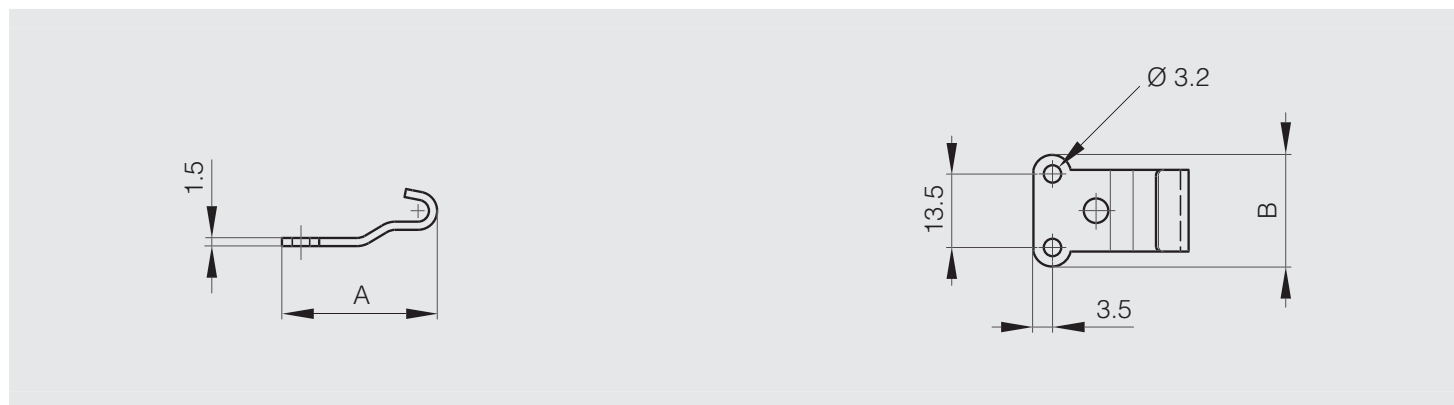
Part number	Material	Finish	A	B	C	Weight (g)
16-7-3735	steel	zinc plated	52	34.5	11.8	27
16-7-3736	304 stainless steel	raw	55.5	34.5	12	27



Strikes for part numbers 16-7-3735 and 16-7-3736



Part number	Material	Finish	A	B	Note	Weight (g)
16-7-3741	steel	zinc plated	28.5	20.5	drilled	3.5
16-7-3739	304 stainless steel	raw	28.5	20.5	undrilled	3.5
16-7-3742	304 stainless steel	raw	28.5	20.5	drilled	3.5





Spring loaded toggle latches

Spring loaded toggle latches without strike - 74 mm

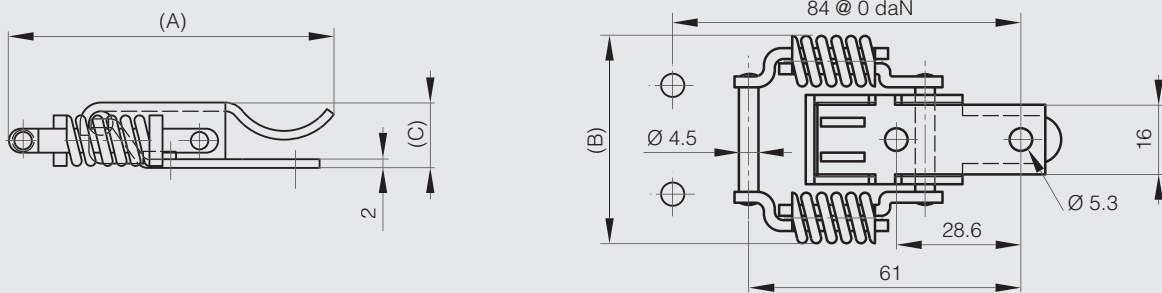
Dimension A (74 mm) without tension. Dimension A can be extended up to 4 mm putting the latch under tension.

These latches are used with strike part numbers 16-7-3751, 16-7-3753 and 16-7-3754.

Padlockable options are available for part numbers 16-7-3765 and 16-7-3766.



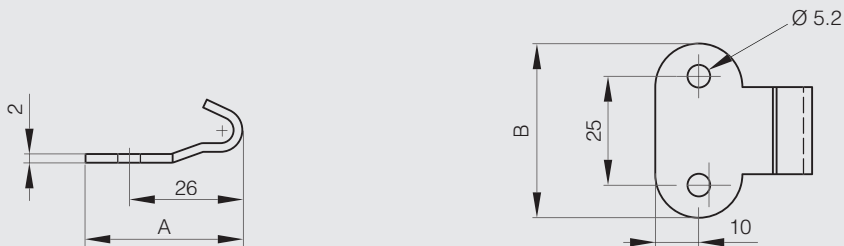
Part number	Material	Finish	A	B	C	Note	Weight (g)
16-7-3747	steel	zinc plated	74	46.5	15	drilled	70
16-7-3745	304 stainless steel	raw	74	47	15	undrilled	70
16-7-3748	304 stainless steel	raw	74	47	15	drilled	70



Strikes for part numbers 16-7-3745, 16-7-3747 and 16-7-3748



Part number	Material	Finish	A	B	Note	Weight (g)
16-7-3753	steel	zinc plated	36	40	drilled	20
16-7-3751	304 stainless steel	raw	36	40	undrilled	20
16-7-3754	304 stainless steel	raw	36	40	drilled	20





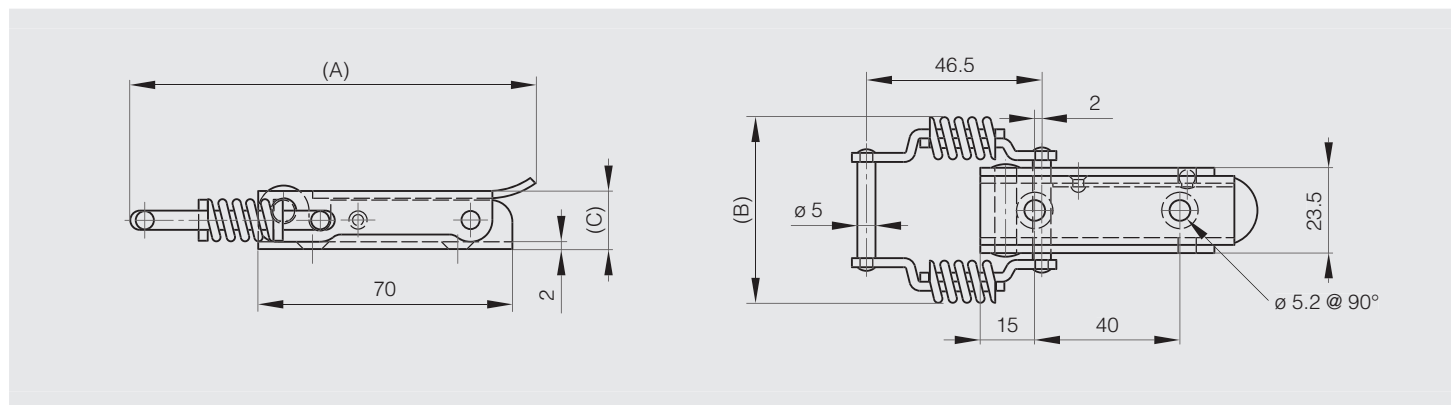
Spring loaded toggle latches

Spring loaded toggle latches without strike - 108 mm

This latch is used with strike part numbers 16-7-3406, 16-1-4038 and 16-7-3870.

STEEL

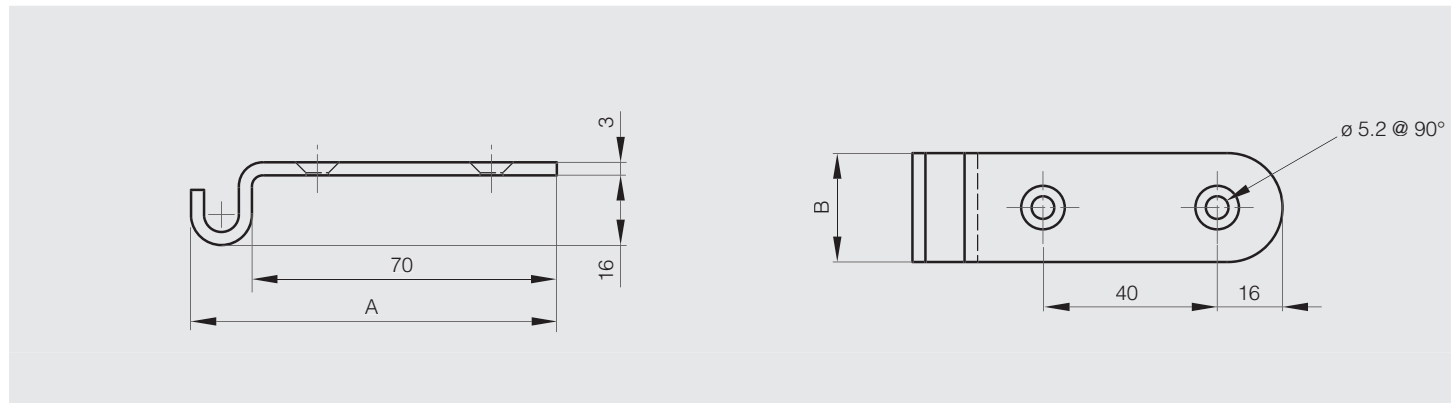
Part number	Material	Finish	A	B	C	Weight (g)
16-7-3400	steel	raw	108	49.5	19.5	118
16-7-3402	steel	zinc plated	108	49.5	19.5	118



Strikes for part numbers 16-7-3400 and 16-7-3402

STEEL

Part number	Material	Finish	A	B	S	Weight (g)
16-7-3406	steel	zinc plated	85	25	5	57





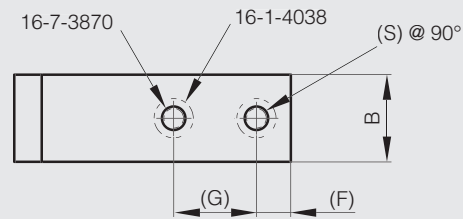
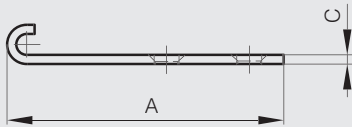
Spring loaded toggle latches

Other strikes for part numbers 16-7-3400 and 16-7-3402

Part number 16-7-3551 may also be used as an alternative strike.



Part number	Material	Finish	A	B	C	F	G	S	Weight
16-1-4038	steel	zinc plated	63	25	3	8.8	26	4.5	■
16-7-3870	steel	zinc plated	63.5	20	2	7.9	19	5.4	■



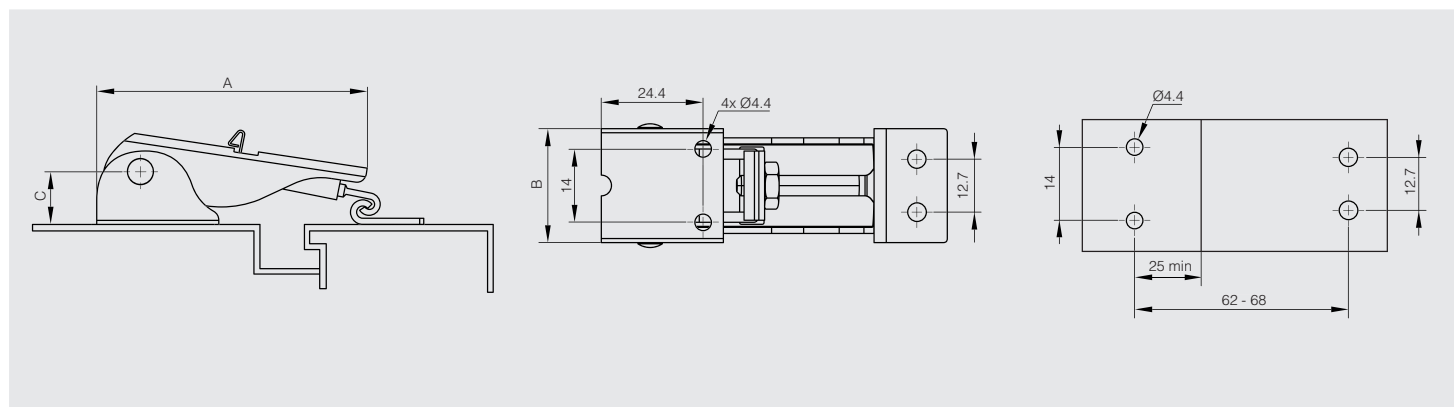


Adjustable toggle latches

Adjustable toggle latches with secondary lock and strike

STAINLESS
STEEL STEEL RoHS

Part number	Material	Finish	A	B	C	Weight (g)
16-1-9022	steel	zinc plated	70	27.5	13.5	77
16-1-9021	stainless steel	electropolished	70	27.5	13.5	77

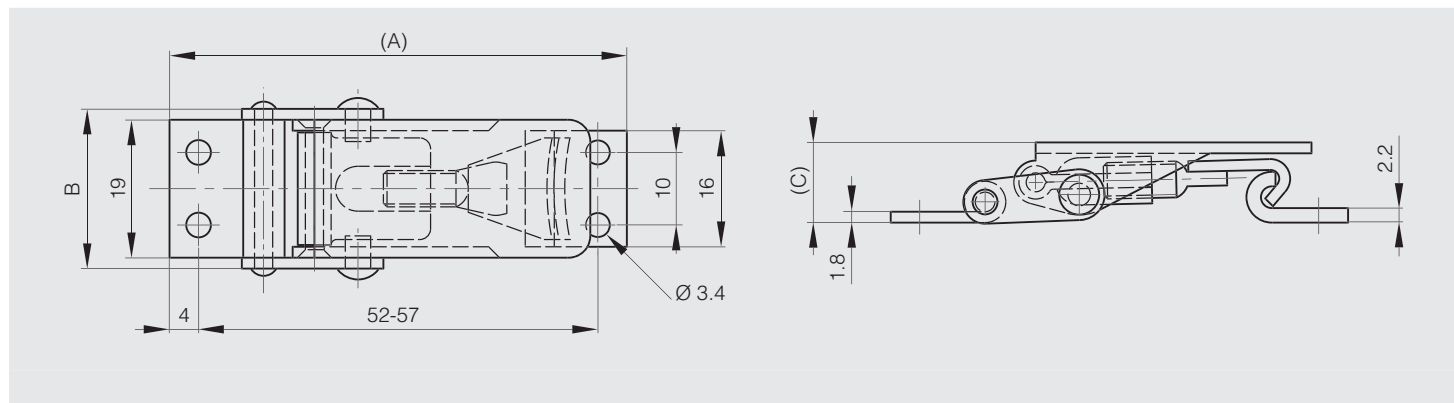


Adjustable toggle latch with strike - 60 mm

Dimension A is adjustable from 60 mm to 65 mm.

STEEL RoHS

Part number	Material	Finish	A	B	C	Note	Weight (g)
16-7-3839	steel	zinc plated	60	22	10	60<A<65	36





Adjustable toggle latches

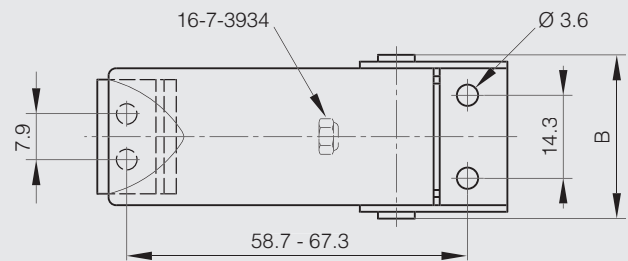
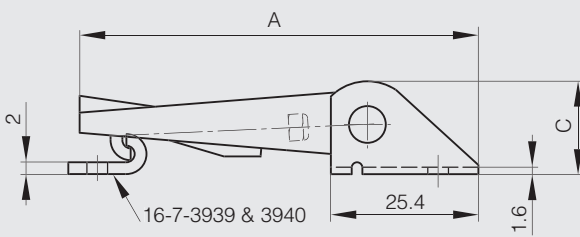
Adjustable toggle latches without strike 70.6 mm

These latches are used with strike part numbers 16-7-3939 and 16-7-3940.
Part number 16-7-3934 has a lockable nut.

STAINLESS
STEEL

STEEL

Part number	Material	Finish	A	B	C	Weight (g)
16-7-3932	steel	zinc plated	70.6	28.2	16	50
16-7-3934	steel	zinc plated	70.6	28.2	16	50
16-7-3933	304 stainless steel	raw	70.6	28.2	16	50



Strikes for part numbers 16-7-3932, 16-7-3933 and 16-7-3934

STAINLESS
STEEL

STEEL

Part number	Material	Finish	Weight (g)
16-7-3939	steel	zinc plated	4.5
16-7-3940	304 stainless steel	raw	4.5





Toggles latches

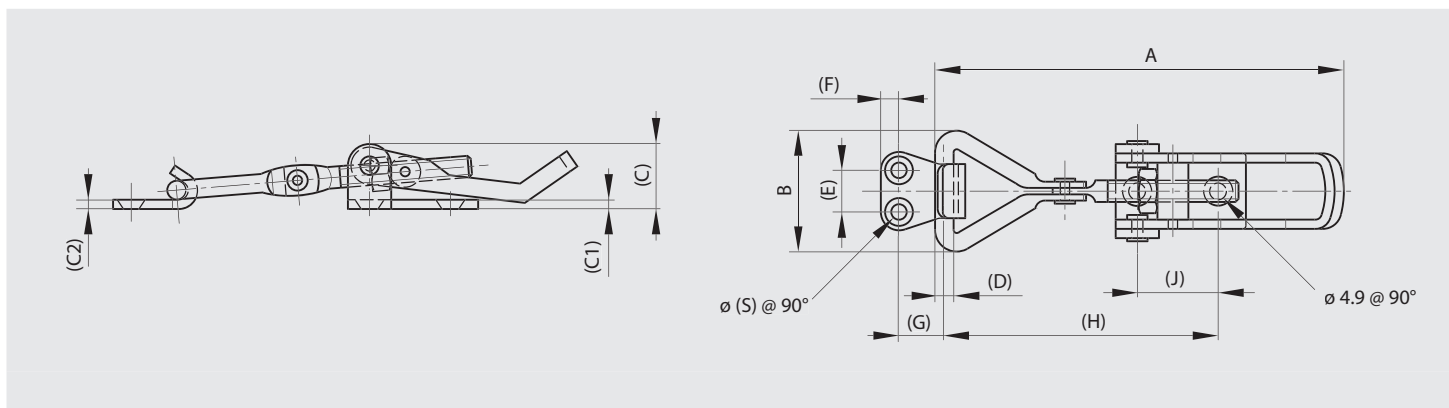
Adjustable toggle latches

Adjustable toggle latches with strike 82 mm and 103 mm long

STAINLESS
STEEL STEEL RoHS



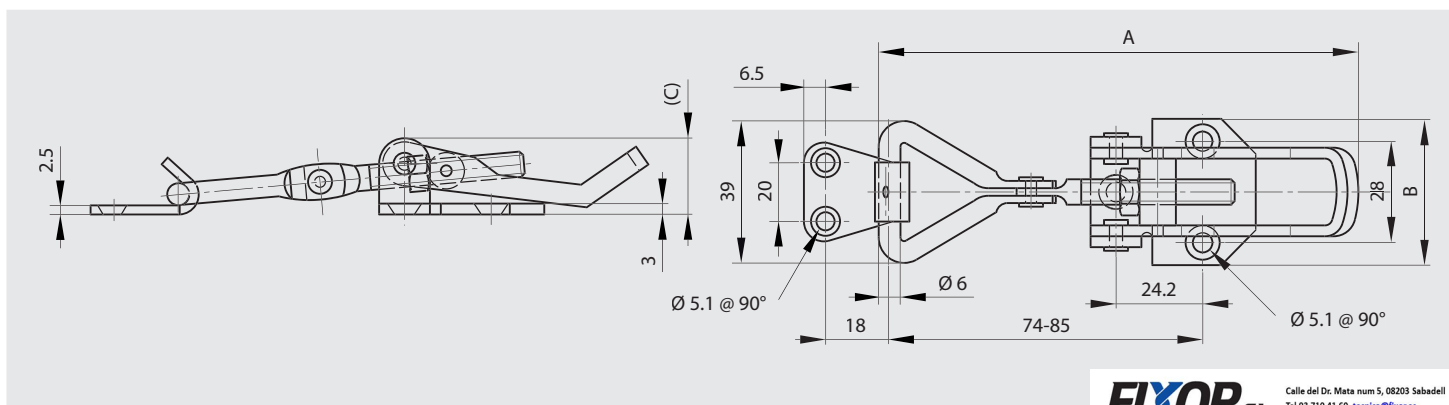
Part number	Material	Finish	A	B	C	C1	C2	D	E	F	G	H	J	S	Note	Weight (g)
16-7-4017	steel	zinc plated	82	28	14	2	2	4	14	5	10	52-59	18	4	82<A<89	46
16-7-4019	steel	zinc plated	103	34	16	2.5	3	5	17	6.5	10	68-86	17	5.2	103<A<121	90
16-7-4024	304 stainless steel	raw	82	28	14	2	2	4	14	5	10	52-59	18	4	82<A<89	46
16-7-4026	304 stainless steel	raw	103	34	16	2.5	3	5	17	6.5	10	68-86	17	5.2	103<A<121	90



Adjustable toggle latches with strike 118 mm

STAINLESS
STEEL STEEL RoHS

Part number	Material	Finish	A	B	C	Note	Weight (g)
16-7-4022	steel	zinc plated	118	40	18	118<A<128	130
16-7-4029	304 stainless steel	raw	118	40	18	118<A<128	130



FIXORSL

Calle del Dr. Mata num 5, 08203 Sabadell
Tel 93 710 41 60, tecnica@fixor.es
www.fixor.es



Adjustable toggle latches

Adjustable toggle latch without strike - 119.1 mm

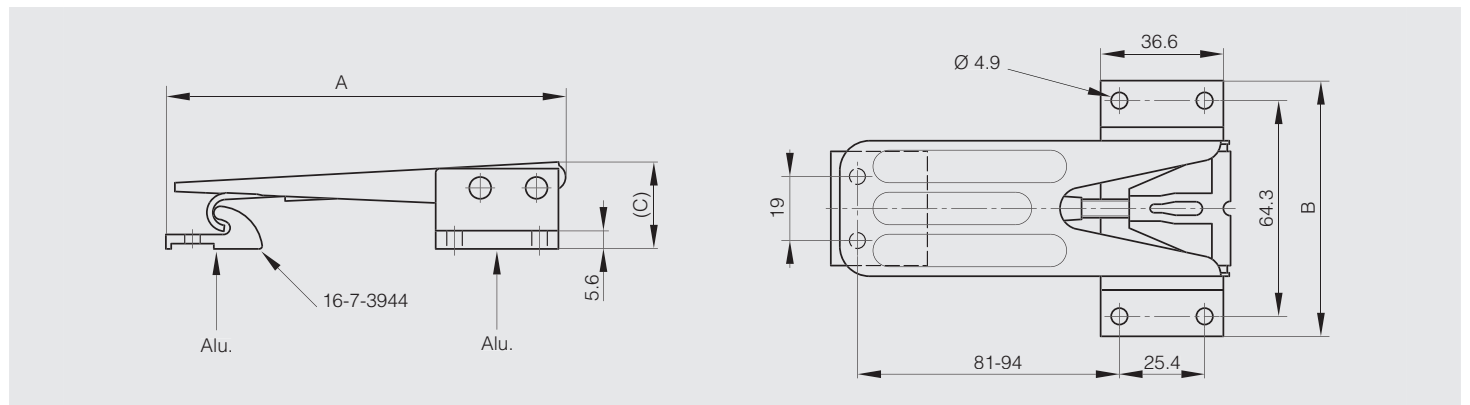
Dimension A is adjustable from 119.1 mm to 133.6 mm.

Aluminium mounting plate.

This latch is used with strike part number 16-7-3944.

STEEL

Part number	Material	Finish	A	B	C	Note	Weight (g)
16-7-3941	steel	zinc plated	119.1	76.2	25.9	119.1<A<133.6	150



Strike for part number 16-7-3941

ALU

Part number	Material	Finish	Weight (g)
16-7-3944	aluminium	raw	9



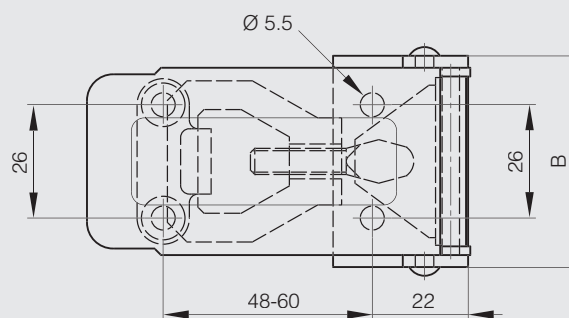
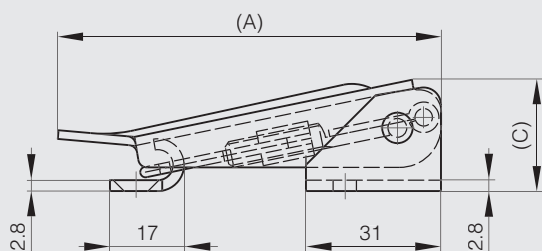


Adjustable toggle latches

Adjustable toggle latches with strike 88 mm



Part number	Material	Finish	A	B	C	Weight (g)
16-7-3843	steel	zinc plated	88	48.5	26	174
16-7-3844	304 stainless steel	raw	88	48.5	26	174

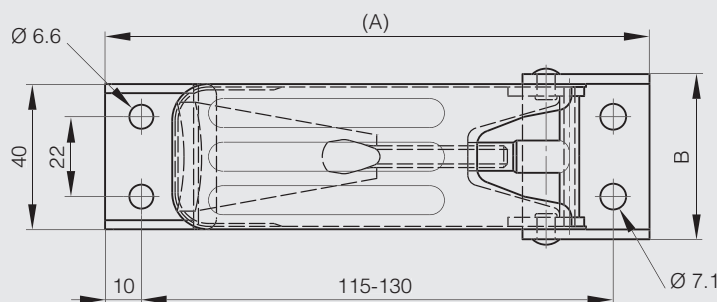
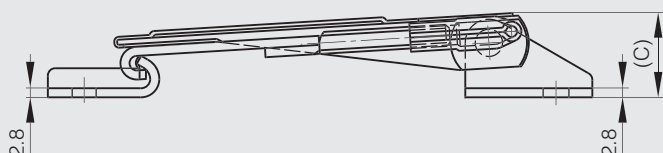


Adjustable toggle latch with strike - 135 mm

Dimension A is adjustable from 135 mm to 150 mm.



Part number	Material	Finish	A	B	C	Note	Weight (g)
16-7-3842	steel	zinc plated	135	45.5	23	135<A<150	170





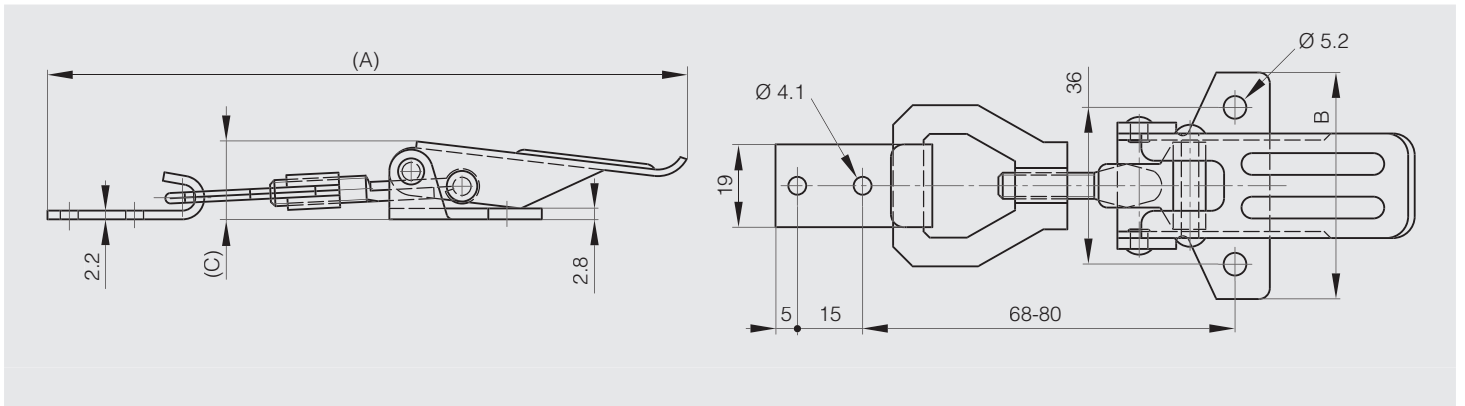
Adjustable toggle latches

Adjustable toggle latches with strike 138 mm

Dimension A is adjustable from 138 mm to 150 mm.



Part number	Material	Finish	A	B	C	Note	Weight (g)
16-7-3840	steel	zinc plated	138	52	18	138<A<150	100
16-7-3841	304 stainless steel	raw	138	52	18	138<A<150	100

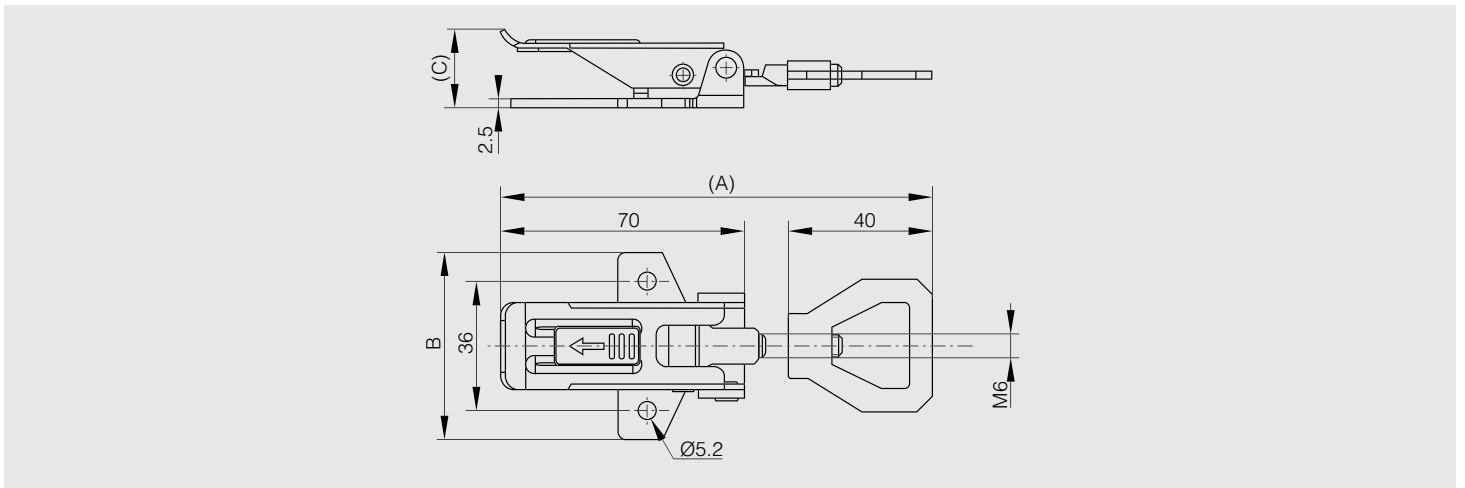


Adjustable toggle latches with secondary lock without strike

Dimension A is adjustable from 115 mm to 122 mm.



Part number	Material	Finish	A	B	C	Note	Weight (g)
16-1-4231	304 stainless steel	raw	115	52	22	115<A<122	85

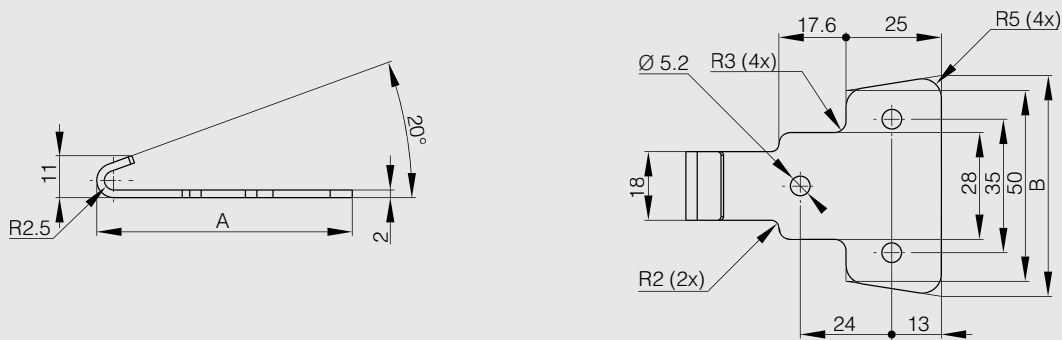




Strike for part number 16-1-4231



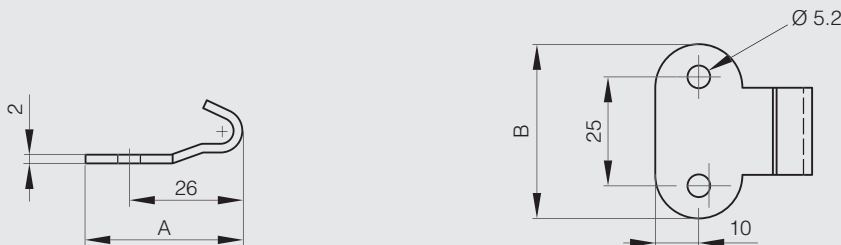
Part number	Material	Finish	A	B	Weight (g)
16-1-4236	304 stainless steel	raw	67	57.9	35



Other strikes for part number 16-1-4231



Part number	Material	Finish	A	B	Note	Weight (g)
16-7-3751	304 stainless steel	raw	36	40	undrilled	20
16-7-3754	304 stainless steel	raw	36	40	drilled	20



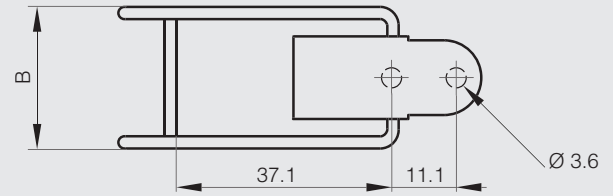
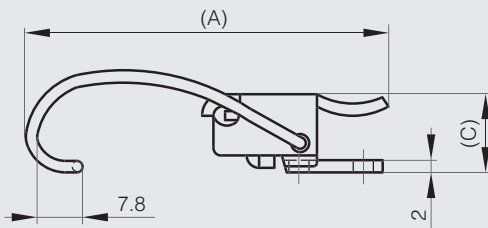


Toggle latches without strikes

Toggle latch without strike 62.5 mm



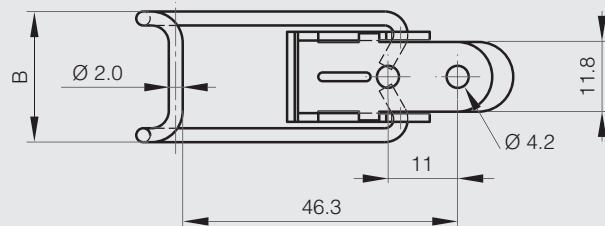
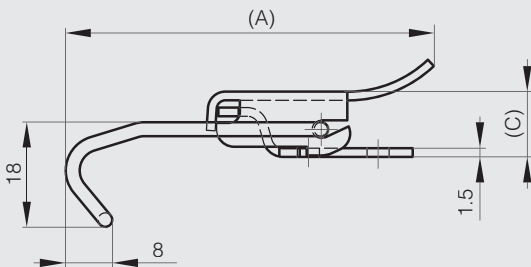
Part number	Material	Finish	A	B	C	Weight (g)
16-7-3900	304 stainless steel	raw	62.5	24.4	13.5	27



Toggle latch without strike - 63.6 mm



Part number	Material	Finish	A	B	C	Weight (g)
16-7-3767	steel	black cataphoresis	63	22	11.8	20



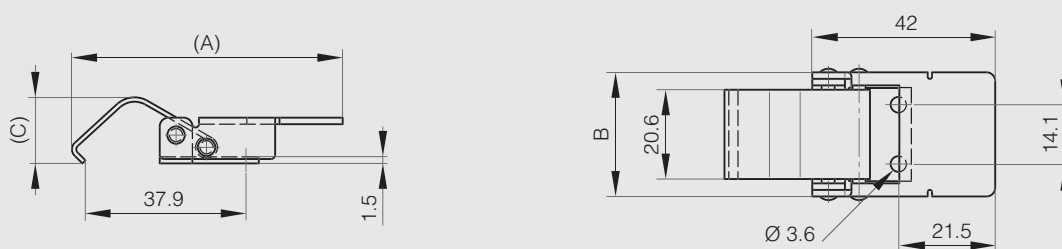


Toggle latches without strikes

Toggle latches without strike - 64 mm



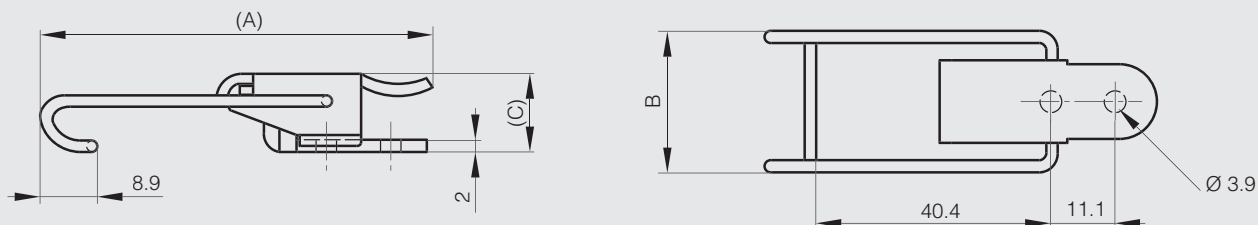
Part number	Material	Finish	A	B	C	Weight (g)
16-7-3947	steel	zinc plated	64	28.7	14	45
16-7-3948	stainless steel	raw	64	28.7	14	45



Toggle latches without strike - 67.6 mm



Part number	Material	Finish	A	B	C	Weight (g)
16-7-3902	304 stainless steel	raw	67.6	25.4	13.7	32



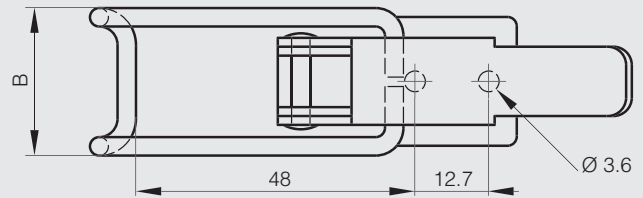
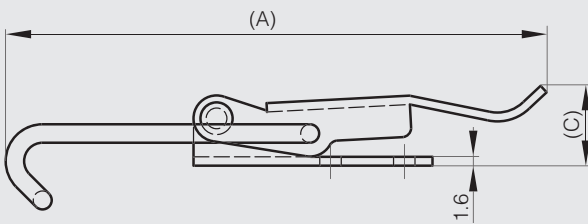


Toggle latches without strikes

Toggle latch without strike - 93.2 mm



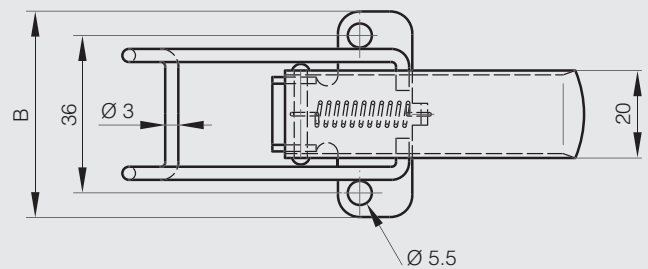
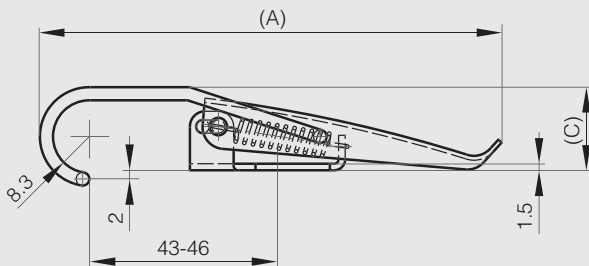
Part number	Material	Finish	A	B	C	Weight (g)
16-7-3903	304 stainless steel	raw	93.2	25.4	13.7	32



Toggle latch without strike - 106 mm



Part number	Material	Finish	A	B	C	Weight (g)
16-7-3768	steel	black cataphoresis	106	47	19.5	42

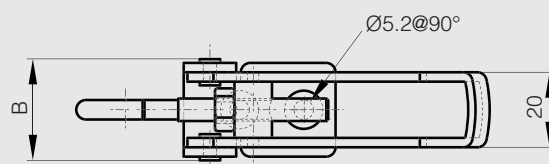
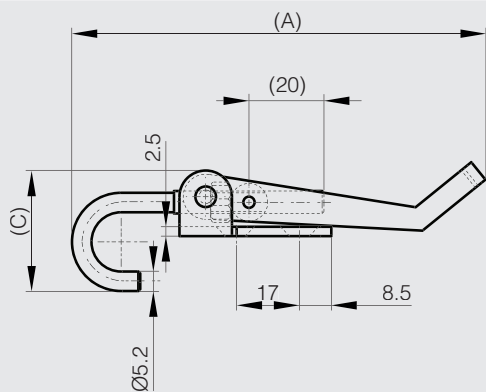




Hooked toggle latch without strike



Part number	Material	Finish	A	B	C	Note	Weight (g)
NEW 16-1-4261	304 stainless steel	raw	80	27	32.1	80<A<107	82





Alternative strike for toggle latches



Part number	Material	Finish	A	B	Weight (g)
16-7-3872	304 stainless steel	raw	21.4	22.4	9

