



Barrel bolts and hasps

Barrel bolts

Barrel bolt in aluminium

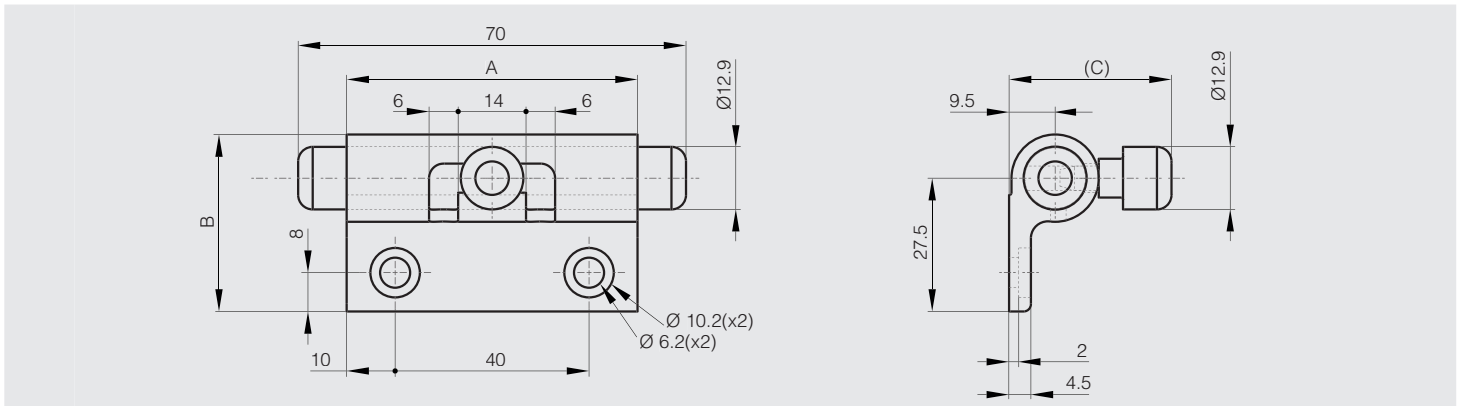


ALU RoHS

Body: clear anodised aluminium.
Shaft and handle: raw aluminium.
No strike.
Shaft length when closed: 15 mm.



Part number	Material	Finish	A	B	C	Weight (g)
NEW 16-1-4311	6060 T5 alu	clear anodised	60	36.5	34	65

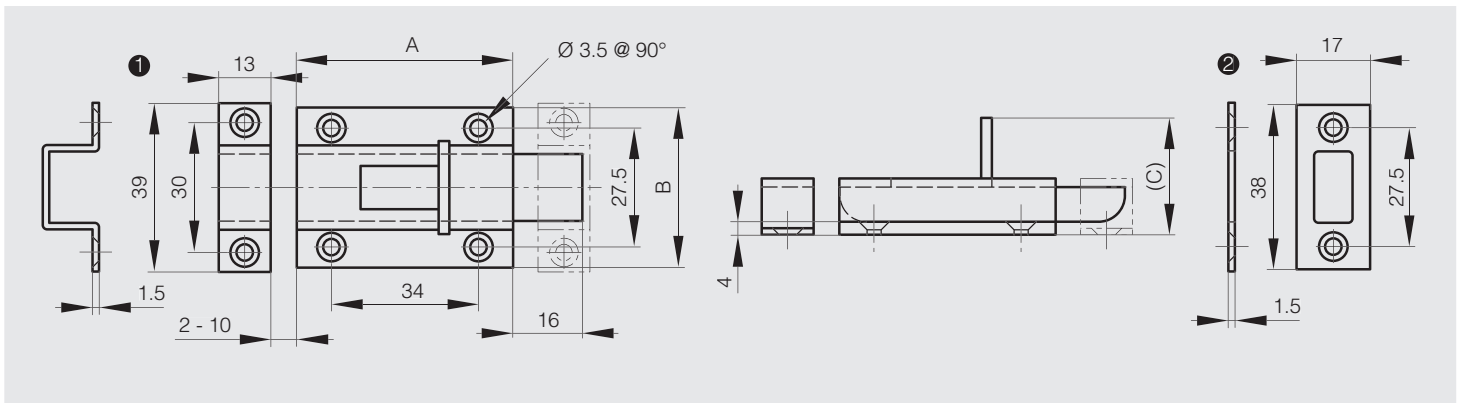


Barrel bolt in stainless steel

STAINLESS STEEL

Can be fixed in vertical or horizontal position (stop when locked).
Supplied with 2 different strikes (see drawing).

Part number	Material	Finish	A	B	C	Weight (g)
16-7-3863	304 stainless steel	satín	50	37	27	80



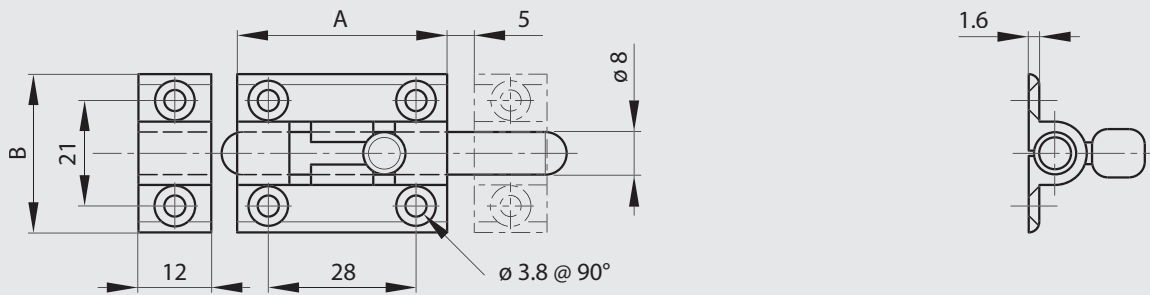


Barrel bolts

Barrel bolt in brass

BRASS RoHS

Part number	Material	Finish	A	B	Weight (g)
16-7-3680	brass	polished	40	30	66
16-7-3681	brass	chrome plated	40	30	66





Hasp

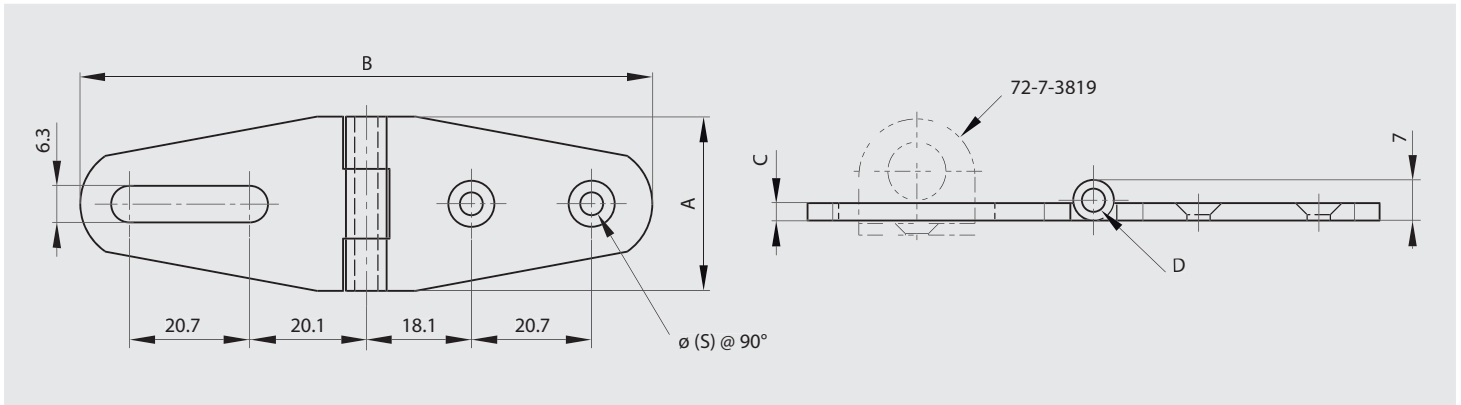
Chrome plated brass hasp

304 stainless steel pin.

Same shape available for hinge 72-7-3725.



Part number	Material	Finish	A	B	C	D	S	Weight (g)
72-7-3726	brass	chrome plated	30	98.5	3	4	4	55



Catch plate for part number 72-7-3726



Part number	Material	Finish	A	B	C	S	Weight (g)
72-7-3819	brass	chrome plated	35	20	3	4	16

