



Mini compression latch - lift and turn

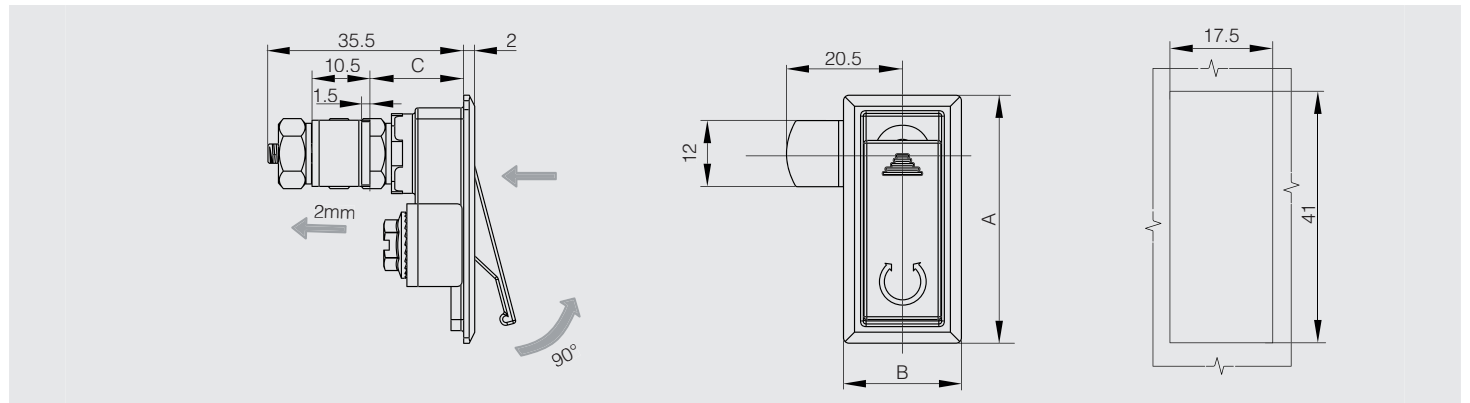
Dimension C adjustable with the nut.

Easy and fast unlocking.

Body in zinc-die, bracket and cam in zinc plated steel.



Part number	Material	Finish	A	B	C	Weight (g)
16-1-9019	zinc die-cast	black	45	21.4	14-20	50



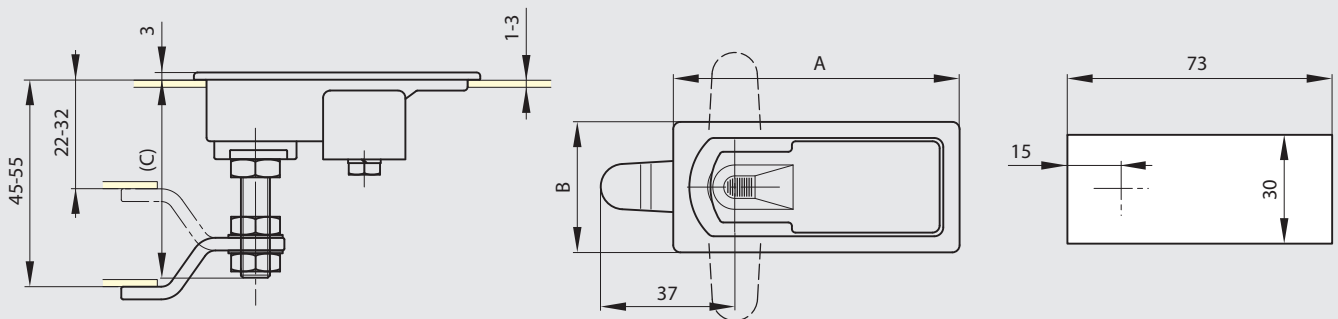
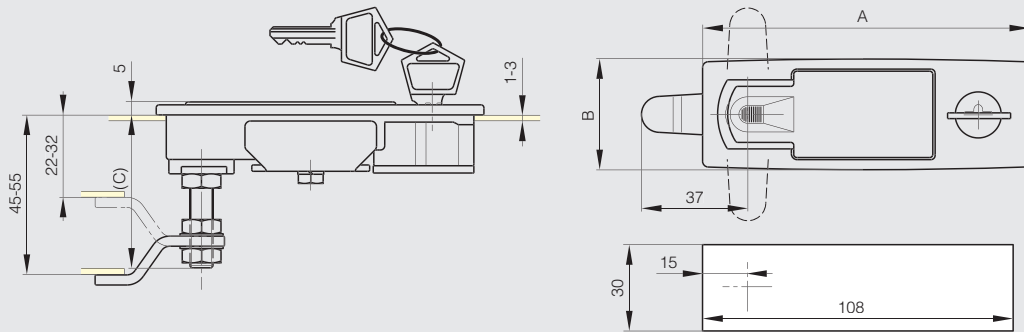


Compression latches with or without key - lift and turn

Keyed alike (one key number) for version with cylinder 16-1-4113.
A full product data sheet is available on our website.

ZAMAK

Part number	Material	Finish	A	B	C	Note	Weight (g)
16-1-4112	zinc die-cast	black	79	36	52	without key	204
16-1-4113	zinc die-cast	black	114	38.5	52	with key	204





Lockable compression latch

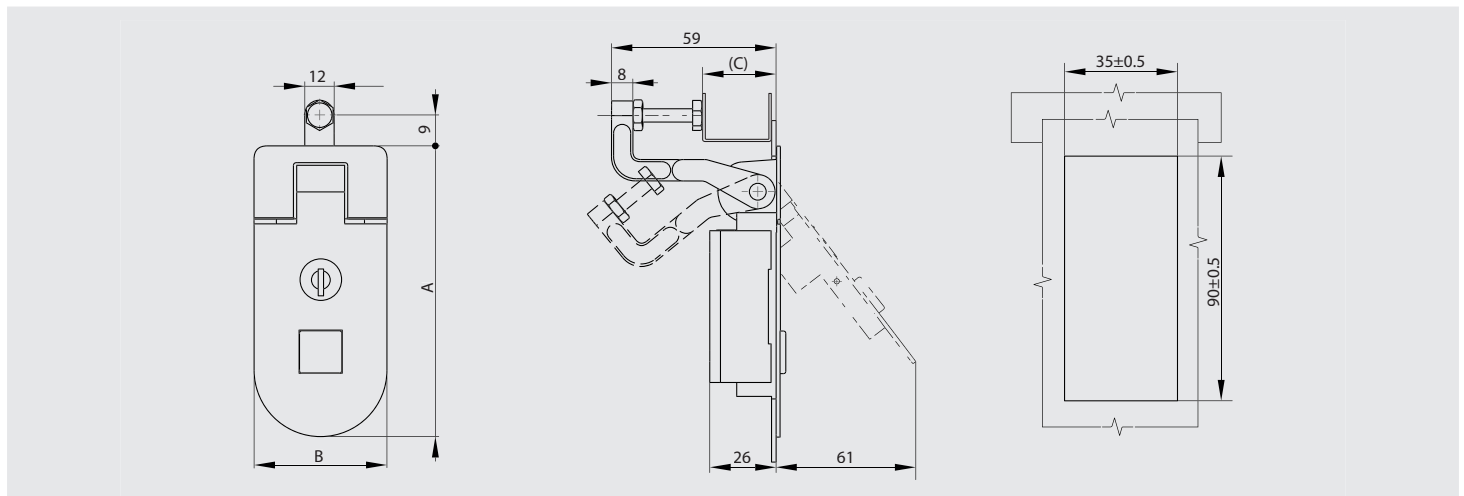
Ease of mounting. Keyed alike (one key number).

Body: zinc die-cast.

Bracket and screw: zinc plated steel.



Part number	Material	Finish	A	B	C	Weight (g)
16-1-9018	zinc die-cast	black	110	50	31-48	420



Flush compression latch with or without key

Ease of mounting.

Latch dimensions and cut-out dimensions are the same for the 2 products (with or without cylinder).

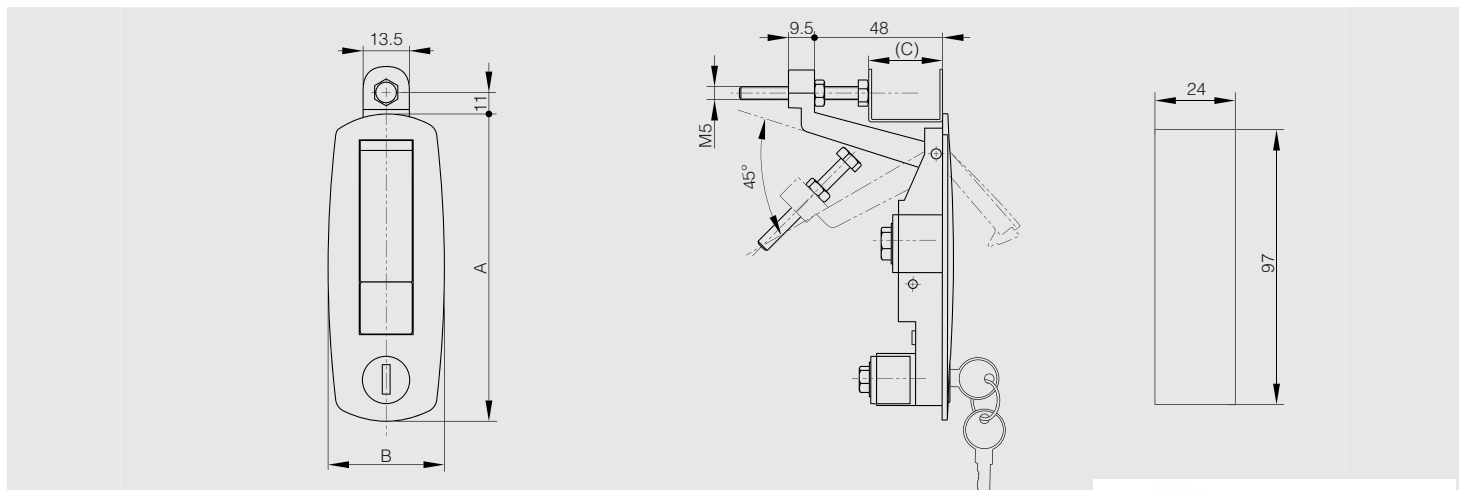
For version with cylinder: keyed alike (one key number).

Body: zinc die-cast.

Bracket and screw: zinc plated steel.



Part number	Material	Finish	A	B	C	Note	Weight (g)
16-1-9010	zinc die-cast	black	106	42	1-35	with key	269
16-1-9023	zinc die-cast	black	106	42	1-35	without key	245





Vector T-handle - screw mounted

Handle rotation 90° right, 90° left.
Outline flat gasket reference 27-7-3912.

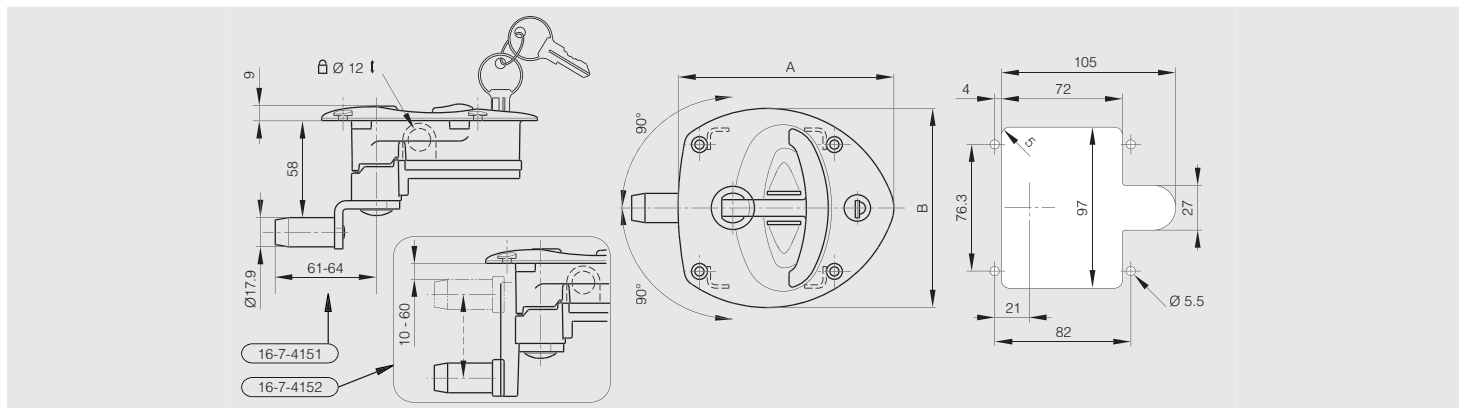


Material : Body : Glass fiber reinforced polyamide (PA6).
Handle : zinc die-cast black powder coated.
Shaft : zinc plated steel.
Cam : zinc die-cast or zinc plated steel.
Roller : Glass fiber reinforced polyamide (PA6).



Other key numbers and cams are available on request.
A full product data sheet is available on our website.

Part number	Material	Finish	A	B	Note	Weight (g)
16-7-4151	polyamide and zinc die-cast	black	131	120	1 point cam (H58)	410
16-7-4152	polyamide and zinc die-cast	black	131	120	adjustable 1 point cam (H10-60)	460



Vector T-handle - rivet mounted

IP 65 rated.
Handle rotation 90° right, 90° left.

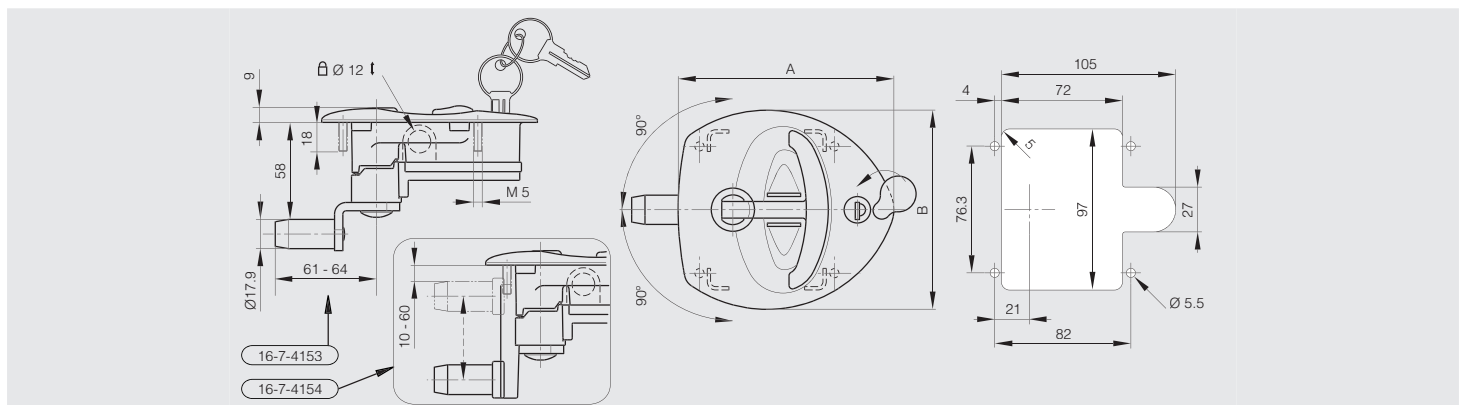


Material: Body: Glass fiber reinforced polyamide (PA6).
Handle: zinc die-cast black powder coated/ Shaft: zinc plated steel.
Cam: zinc die-cast or zinc plated steel/ Roller: Glass fiber reinforced polyamide (PA6).



Other key numbers and cams are available on request.
A full product data sheet is available on our website.

Part number	Material	Finish	A	B	Note	Weight (g)
16-7-4153	polyamide and zinc die-cast	black	131	120	1 point cam (H58)	450
16-7-4154	polyamide and zinc die-cast	black	131	120	adjustable 1 point cam (H10-60)	490





Vector 2 T-handle with mounting bracket - chrome plated with fixed cam



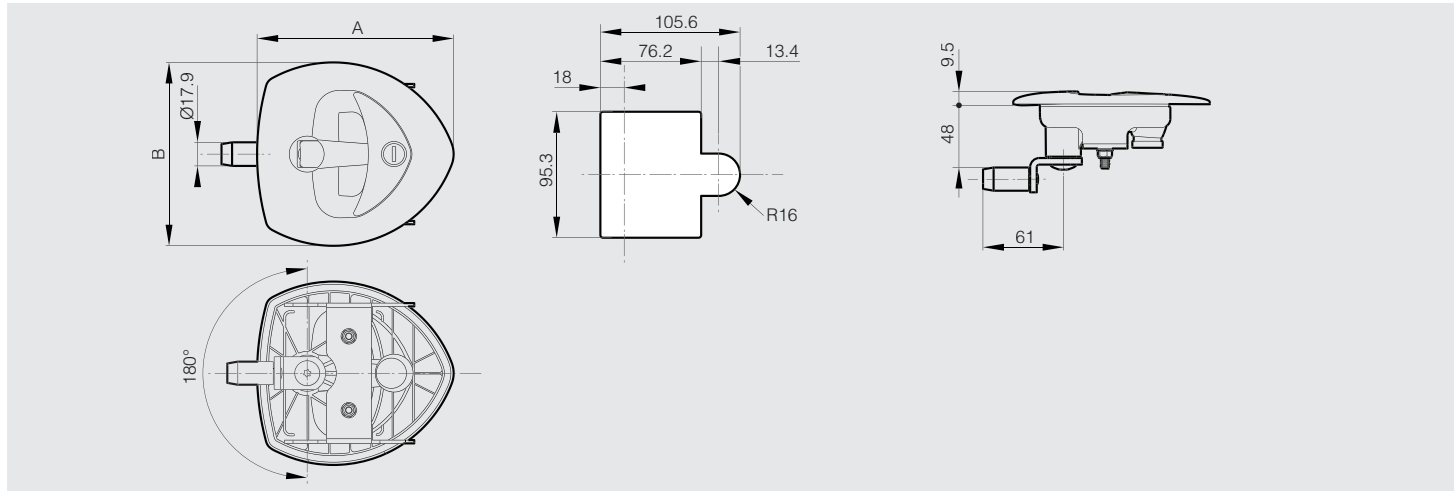
The mounting bracket provides a quick, easy and reliable blind mounting.
 Flush T-handle with a 4 mm compression stroke.
 Handle rotation 90° right, 90° left.
 Equipped with integrated PUR-gasket, protection degree IP65.
 Comes with a keyed alike locking-cylinder with folding stainless steel dust shutter.

Material : body: PA / T-shaped handle: zinc die cast, black / Cam: steel, zinc plated / Mounting bracket: steel, zinc plated / Cast-in bolt : steel, zinc plated.



Other key numbers and cams are available on request.

Part number	Material	Finish	A	B	Note	Weight (g)
NEW 16-7-4310	polyamide and zinc die-cast	chrome plated	149	139	1 point cam (H48)	570



Vector 2 T-handle with mounting bracket - black version with adjustable cam



The mounting bracket provides a quick, easy and reliable blind mounting.
 Flush T-handle with a 4 mm compression stroke.
 Handle rotation 90° right, 90° left.
 Equipped with integrated PUR-gasket, protection degree IP65.
 Comes with a keyed alike locking-cylinder with folding stainless steel dust shutter.

Material : body and roller cam: PA / T-shaped handle: zinc die cast, black / Adjustable cam: zinc die cast, passivated / Mounting bracket: steel, zinc plated / Cast-in bolt : steel, zinc plated.



Other key numbers and cams are available on request.

Part number	Material	Finish	A	B	Note	Weight (g)
NEW 16-7-4291	polyamide and zinc die-cast	black	149	139	adjustable 1 point cam (H17-52)	620

