



Slam latches

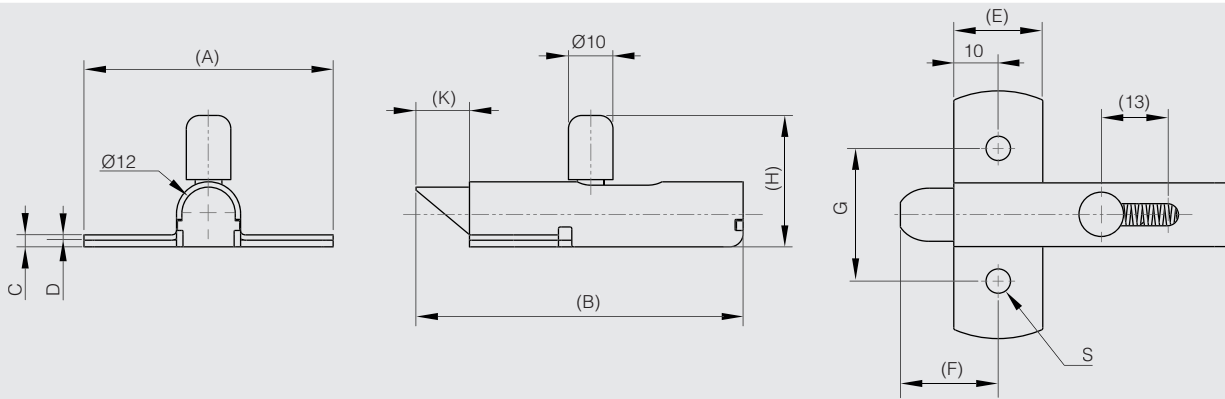
Small slam latches

Slam latch in stainless steel - bolt "nose-up"

Stainless steel slam latch.



Part number	Material	Finish	A	B	C	D	E	F	G	H	K	S	Weight (g)
NEW 16-1-4265	304 stainless steel	raw	56	73.5	2.7	1.2	20	22	30	29.7	12	5.5	87

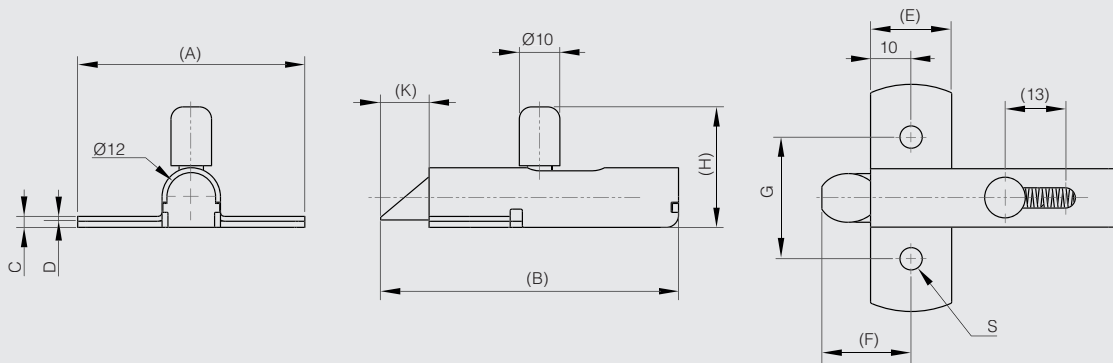


Slam latch in stainless steel - bolt "nose-down"

Stainless steel slam latch.



Part number	Material	Finish	A	B	C	D	E	F	G	H	K	S	Weight (g)
NEW 16-1-4282	304 stainless steel	raw	56	73.5	2.7	1.2	20	22	30	29.7	12	5.5	87





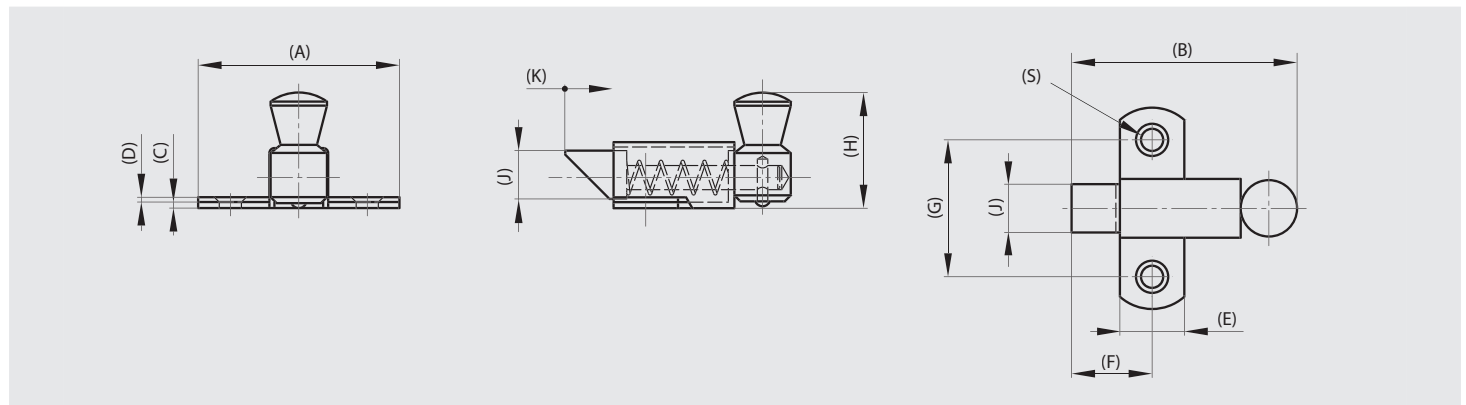
Small slam latches

Springloaded latches - bolt "nose-up"

Slam latches.

BRASS STEEL

Part number	Material	Finish	A	B	C	D	E	F	G	H	J	K	S	Weight (g)
16-1-3625	steel	zinc plated	35	36.5	1.2	1	11	13.5	23	19	8	8	3.5	20
16-1-3628	steel	zinc plated	50	56	1.5	1.2	16	19	34	29.5	12	11	4.8	71
16-1-3631	steel	zinc plated	70	73	2	1.5	22	28	45	38	16	16	7	129
16-1-3626	brass	chrome plated	35	36.5	1.2	1	11	13.5	23	19	8	8	3.5	24
16-1-3629	brass	chrome plated	50	56	1.5	1.2	16	19	34	29.5	12	11	4.8	75
16-1-3632	brass	chrome plated	70	73	2	1.5	22	28	45	38	16	16	7	163

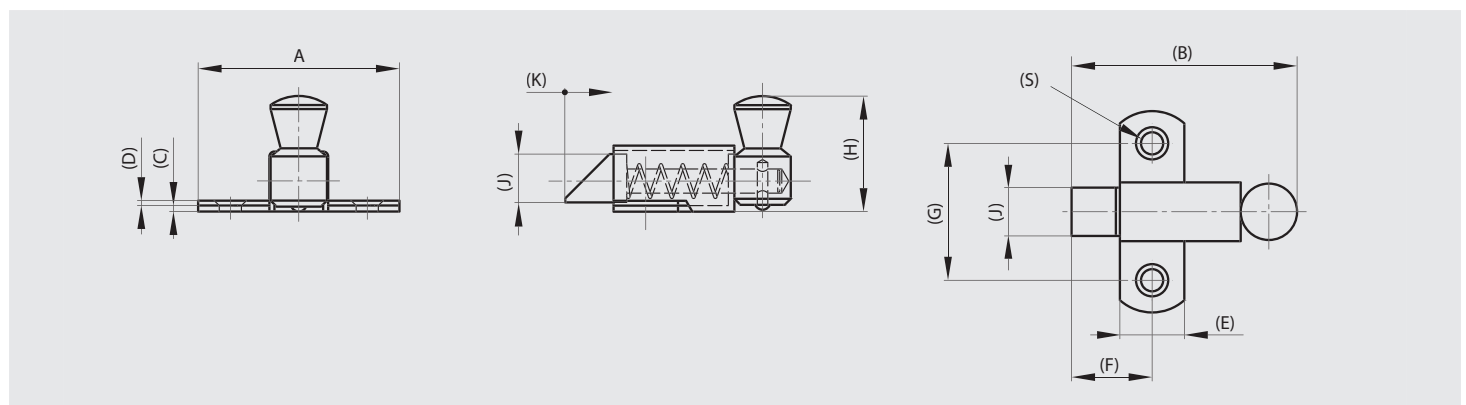


Springloaded latches - bolt "nose-down"

Slam latches.

BRASS STEEL

Part number	Material	Finish	A	B	C	D	E	F	G	H	J	K	S	Weight (g)
16-1-3430	steel	zinc plated	35	36.5	1.2	1	11	13.5	23	19	8	8	3.5	20
16-1-3433	steel	zinc plated	50	56	1.5	1.2	16	20	34	29	12	12	4.8	71
16-1-3436	steel	zinc plated	70	73	2.0	1.5	22	28	45	38	16	16	7	129
16-1-3431	brass	chrome plated	35	36.5	1.2	1	11	13.5	23	19	8	8	3.5	24
16-1-3434	brass	chrome plated	50	56	1.5	1.2	16	20	34	29	12	12	4.8	75
16-1-3437	brass	chrome plated	70	73	2.0	1.5	22	28	45	38	16	16	7	163



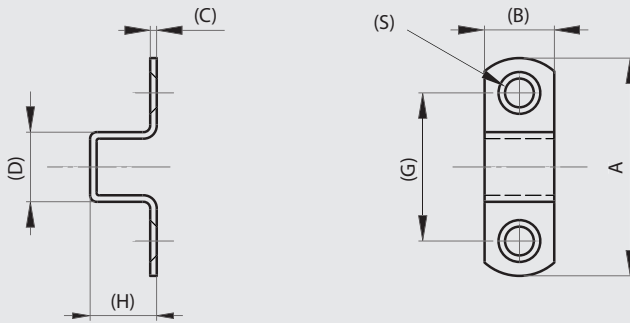


Small slam latches

Strikes for latches with dimension A = 35, 50 and 70 mm

BRASS STEEL

Part number	Material	Finish	A	B	C	D	G	H	S	Weight (g)
16-1-3633	steel	zinc plated	35	11	1.2	11.5	23	11.5	3.5	4.5
16-1-3636	steel	zinc plated	50	16	1.5	16	34	16	4.8	12
16-1-3639	steel	zinc plated	68.5	22	2	21	43.5	21	7	32
16-1-3634	brass	chrome plated	35	11	1.2	11.5	23	11.5	3.5	5
16-1-3637	brass	chrome plated	50	16	1.5	16	34	16	4.8	13
16-1-3640	brass	chrome plated	68.5	22	2	21	43.5	21	7	33



Springloaded bolt - reversible bolt

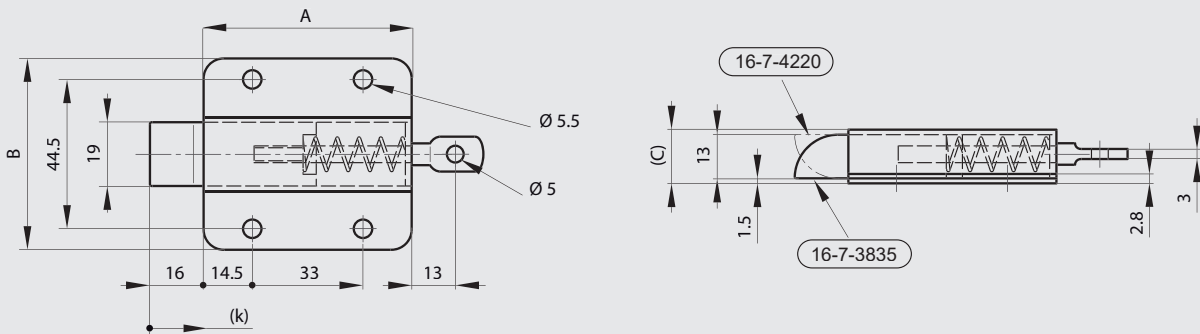
STAINLESS STEEL STEEL

Slam blot - reversible.

Bolt can be manually unassembled to be positioned 'nose-up' or 'nose-down'.

Minimum load 50 N for full bolt travel.

Part number	Material	Finish	A	B	C	K	Note	Weight (g)
16-7-4220	steel	zinc plated	63.2	57	17.2	7	bolt delivered 'nose-up'	185
16-7-3835	304 stainless steel	raw	63.2	57	17.2	7	bolt delivered 'nose-down'	185





Slam latches

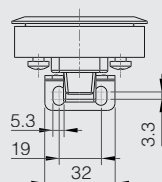
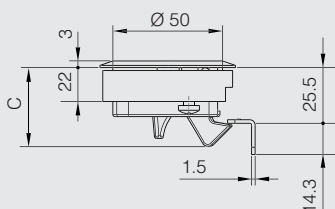
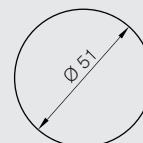
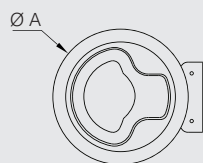
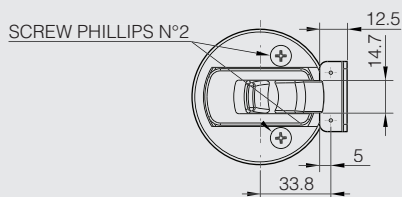
Small slam latches

Low-profile slam latch

Material: UL94-HB ABS.



	Part number	Material	Finish	A	C	Weight (g)
NEW	16-7-4273	polymer	black	61	35.5	58
NEW	16-7-4274	polymer	white	61	35.5	58

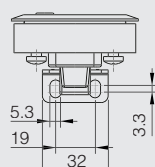
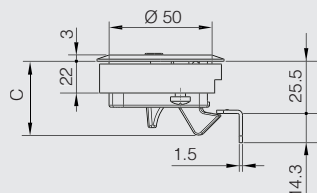
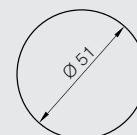
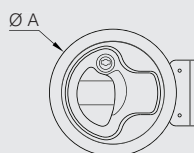
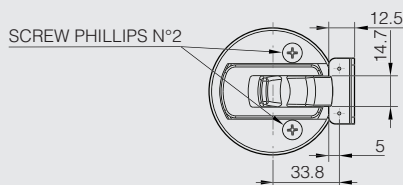


Lockable low-profile slam latch

Material: UL94-HB ABS.



	Part number	Material	Finish	A	C	Weight (g)
NEW	16-7-4275	polymer	black	61	35.5	58



FIXOR_{SL}

Calle del Dr. Mata num 5, 08203 Sabadell
Tel 93 710 41 60, tecnica@fixor.es
www.fixor.es

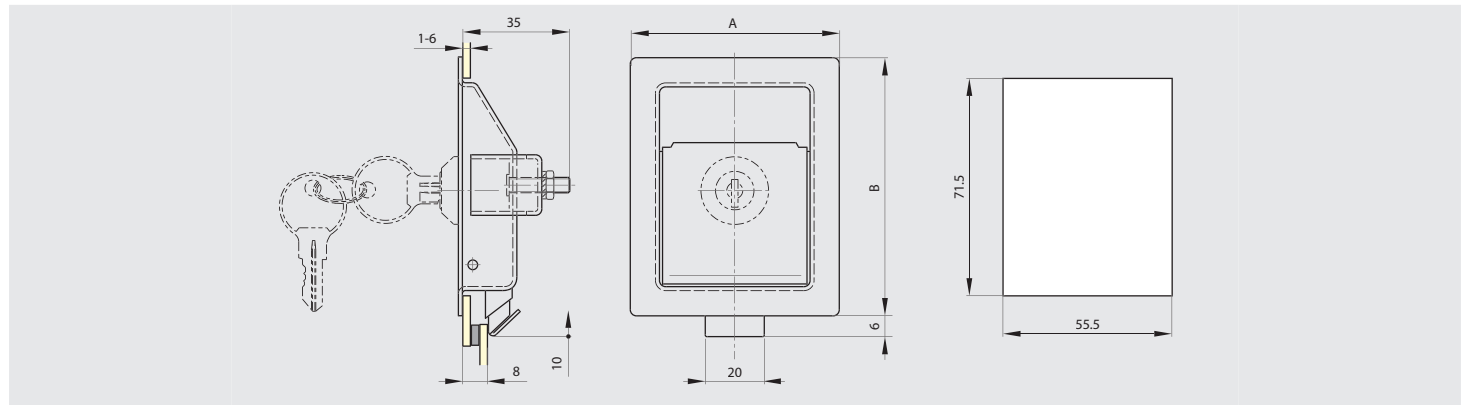


Paddle latches 68.5 x 84 mm

Available with or without key.
Keyed alike for version with cylinder.

STAINLESS
STEEL STEEL

Part number	Material	Finish	A	B	Note	Weight (g)
16-1-4105	steel	zinc plated	68.5	84	without key	184
16-1-4106	steel	zinc plated	68.5	84	with key	184
16-1-4217	steel	black	68.5	84	without key	184
16-1-4107	304 stainless steel	raw	68.5	84	without key	184
16-1-4108	304 stainless steel	raw	68.5	84	with key	184



Hooked cam

Hooked cam can be fitted to any standard quarter turn.
A full product data sheet is available on our website.

ZAMAK RoHS

Part number	Material	Finish	Note	Weight (g)
16-7-4061	zinc die-cast	zinc plated	right	40
16-7-4062	zinc die-cast	zinc plated	left	40

