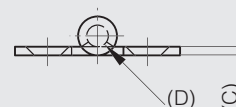
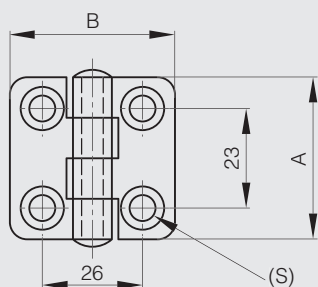


### Hinge for marine applications - 36.5 x 38 mm

Riveted pin.



Part number	Material	Finish	A	B	C	D	S	Weight (g)
52-1-3945	316 stainless steel	polished	36.5	38	2	5	6	32

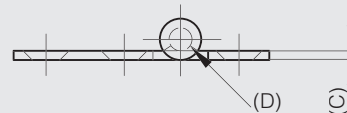
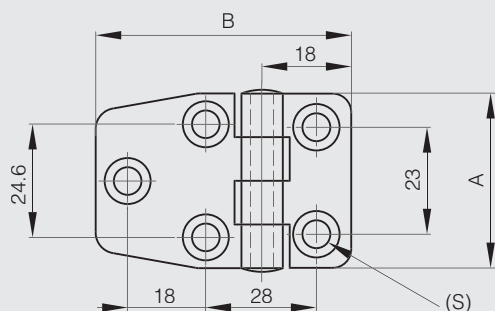


### Hinge for marine applications - 36.5 x 56.5 mm

Riveted pin.



Part number	Material	Finish	A	B	C	D	S	Weight (g)
52-1-3947	316 stainless steel	polished	36.5	56.5	2	5	6	40

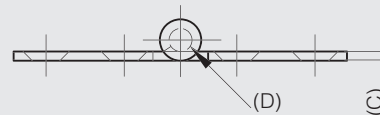
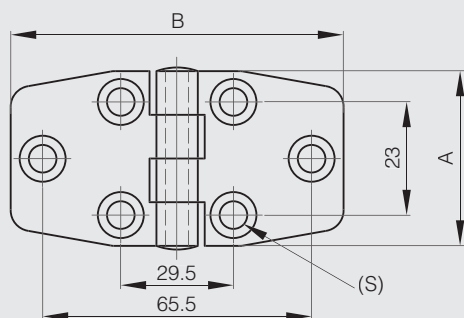


### Hinge for marine applications - 36.5 x 76 mm

Riveted pin.



Part number	Material	Finish	A	B	C	D	S	Weight (g)
52-1-3944	316 stainless steel	polished	36.5	76	2	4	6	50

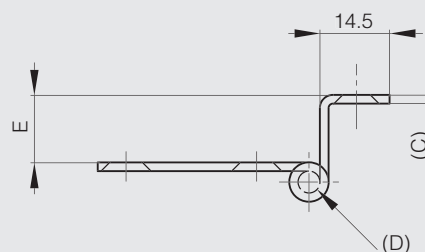
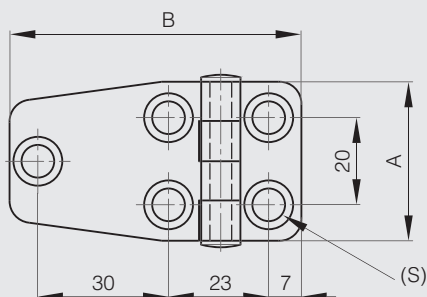


### Hinges for marine applications - 36.5 x 65.5 mm

Riveted pin.



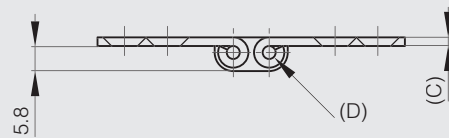
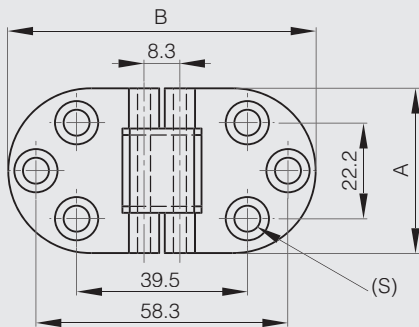
Part number	Material	Finish	A	B	C	D	E	S	Weight (g)
52-1-3950	316 stainless steel	polished	36.5	65.5	2	5	10	6	54
52-1-3949	316 stainless steel	polished	36.5	65.5	2	5	15.9	6	54
52-1-3948	316 stainless steel	polished	36.5	65.5	2	5	19.2	6	54



### Hinge for marine applications - 38.1 x 71.1 mm



Part number	Material	Finish	A	B	C	D	S	Weight (g)
52-1-3898	316 stainless steel	polished	38.1	71.1	2	3	6	42

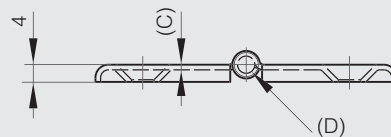
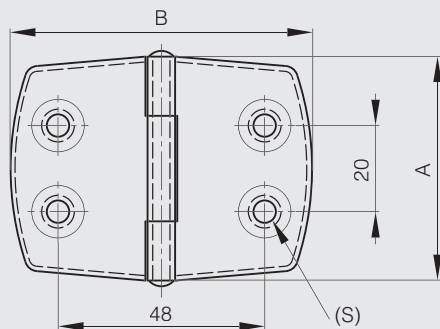


### Hinge for marine applications - 52 x 70 mm



Riveted pin.

Part number	Material	Finish	A	B	C	D	S	Weight (g)
52-1-3964	316 stainless steel	brushed	52	70	1.2	4	5.2	44

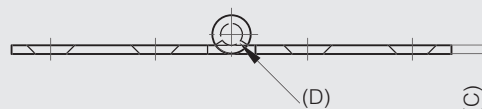
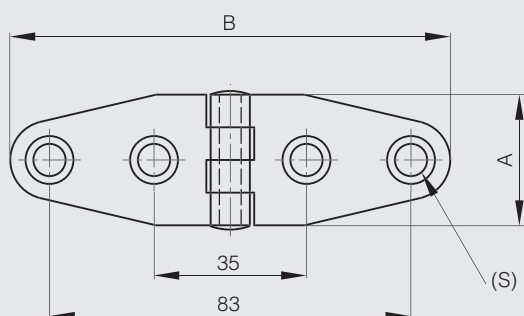


### Hinge for marine applications - 30 x 101 mm

Riveted pin.



Part number	Material	Finish	A	B	C	D	S	Weight (g)
52-1-3954	316 stainless steel	polished	30	101	2	5	6	44

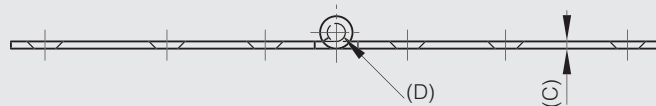
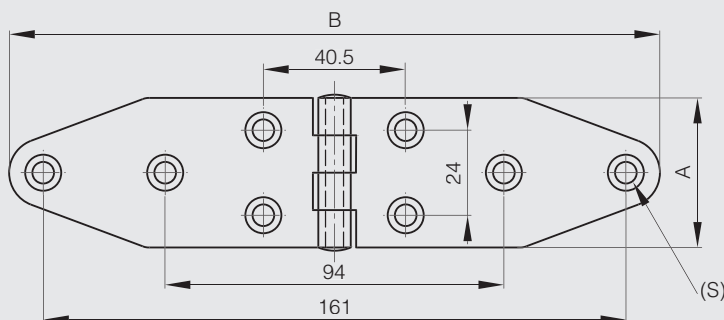


### Hinge for marine applications - 38 x 178 mm

Riveted pin.



Part number	Material	Finish	A	B	C	D	S	Weight (g)
52-1-3957	316 stainless steel	polished	38	178	2	5	6	96

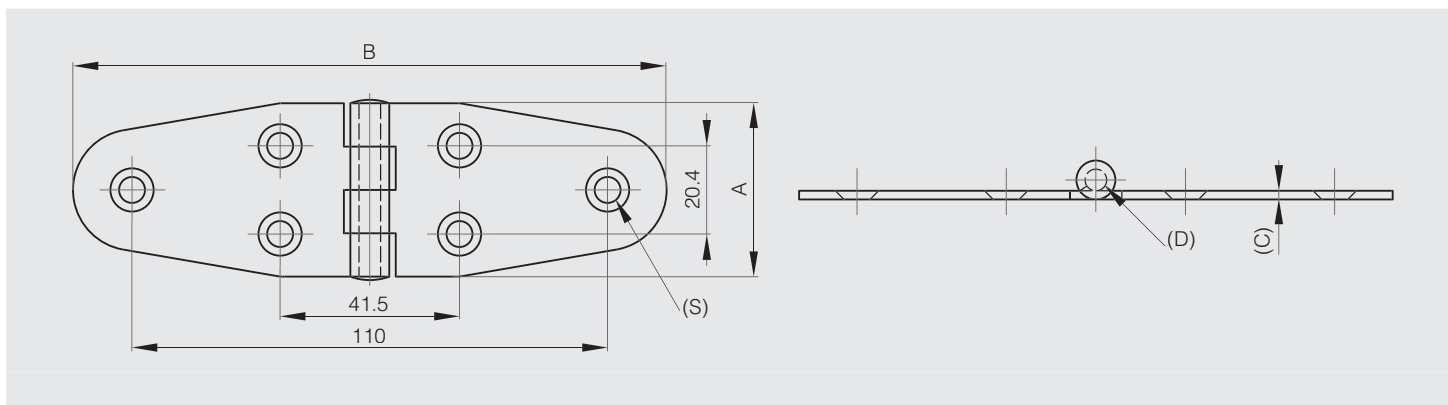


### Hinge for marine applications - 40.1 x 137.3 mm

Riveted pin.



Part number	Material	Finish	A	B	C	D	S	Weight (g)
52-1-3953	316 stainless steel	polished	40.1	137.3	2	5	6	80



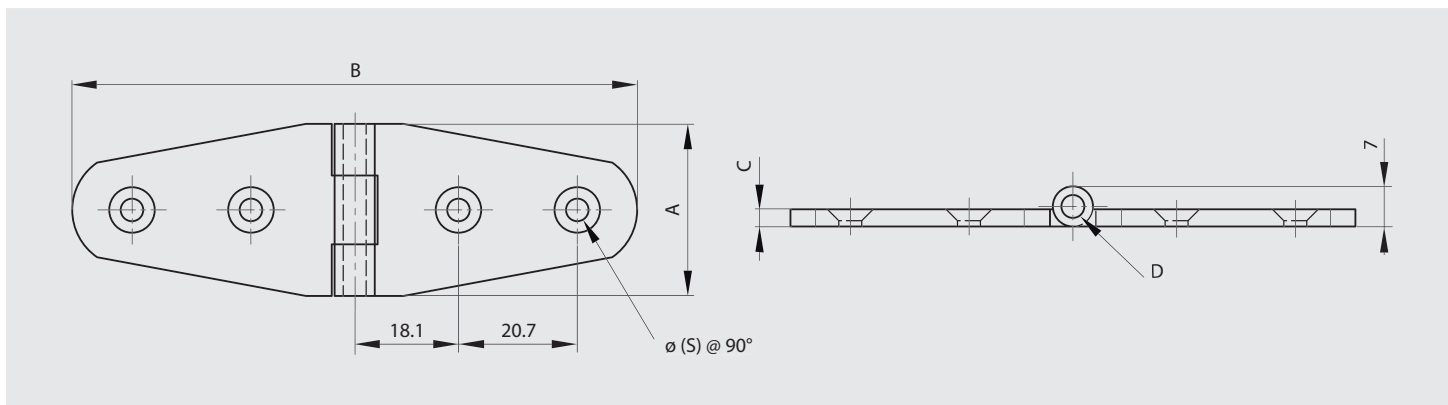
### Brass hinge - 30 x 98.5 mm

304 stainless steel pin.

Same shape available for hasp 72-7-3726.



Part number	Material	Finish	A	B	C	D	S	Weight (g)
72-7-3725	brass	chrome plated	30	98.5	3	4	4	56.5

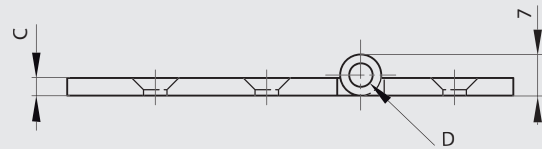
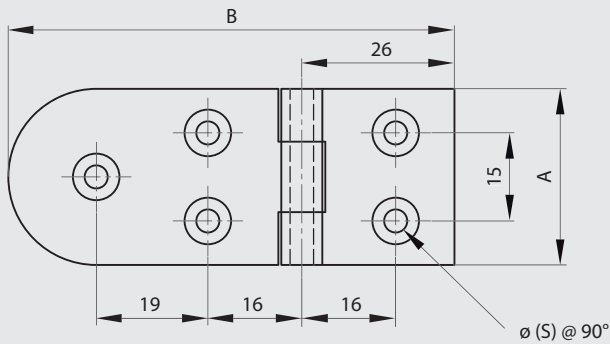


### Brass hinge - 30 x 76 mm

304 stainless steel pin.



Part number	Material	Finish	A	B	C	D	S	Weight (g)
72-7-3723	brass	chrome plated	30	76	3	4	4	51

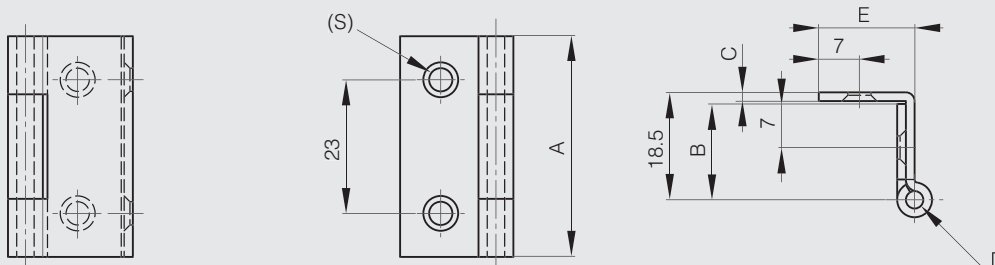


### Small butt hinge with one cranked leaf 38 mm

304 stainless steel headed pin.



Part number	Material	Finish	A	B	C	D	E	S	Weight (g)
63-1-3301	brass	chrome plated	38	16.5	1.5	3	16.5	4	29

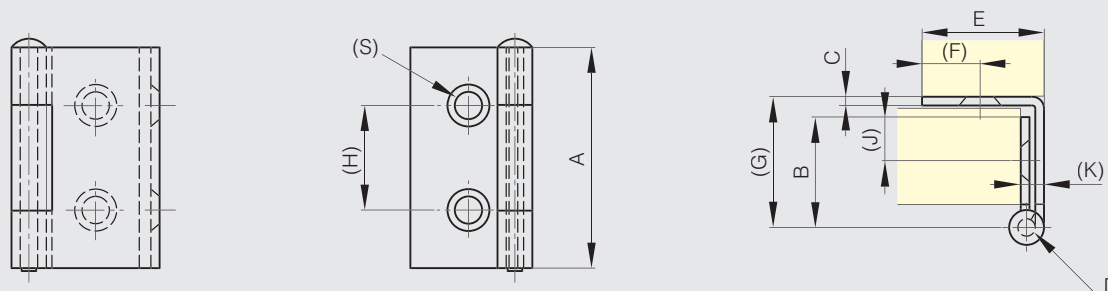


### Small butt hinges with one cranked leaf and removable pin 38 mm

Removable pin.



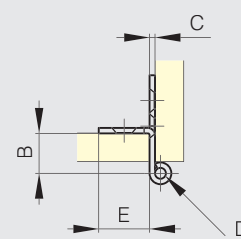
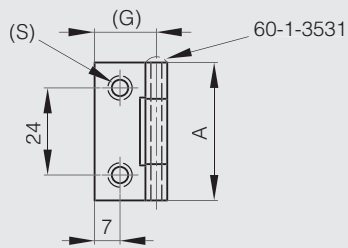
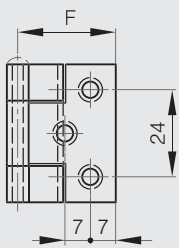
Part number	Material	Finish	A	B	C	D	E	F	G	H	J	K	S	Pin material	Weight (g)
60-1-3331	steel	chrome plated	38	19	1.5	3	17	8	23	26	7	3.5	4	nickel plated steel	31
60-1-3332	steel	chrome plated	38	19	1.5	3	19	10	24.5	18	7.5	4	4.7	nickel plated steel	31
60-1-3330	steel	chrome plated	38	19	1.5	3	21	10	22.5	18	7.5	4	4.7	nickel plated steel	31
60-1-3342	steel	black cataphoresis	38	19	1.5	3	21	10	22.5	18	7.5	4	4.7	raw steel	31



### Small butt hinges with one cranked leaf 38 mm



Part number	Material	Finish	A	B	C	D	E	F	G	S	Pin material	Weight (g)
60-1-3525	steel	chrome plated	38	7	1.5	3	18	27	21	4.5	304 stainless steel	24
60-1-3327	steel	chrome plated	38	11	1.5	3	14	27	17	4.5	304 stainless steel	24
60-1-3329	steel	nickel plated	38	11	1.5	3	14	27	17	4.5	304 stainless steel	24
60-1-3797	steel	black zinc plated	38	11	1.5	3	14	27	17	4.5	304 stainless steel	24
62-1-3628	316L stainless steel	raw	38	15	1.5	3	14	31	17	4.5	316L stainless steel	24



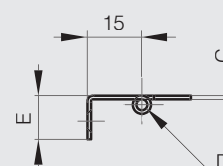
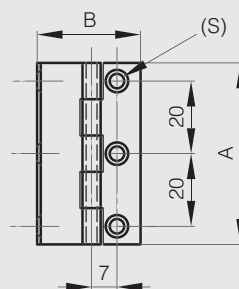
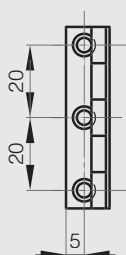
### Small butt hinge with one cranked leaf 50 mm

304 stainless steel pin.

For door thickness max. 11 mm.



Part number	Material	Finish	A	B	C	D	E	S	Weight (g)
62-1-3300	430 stainless steel	polished	50	28.5	1	3	12	4	20





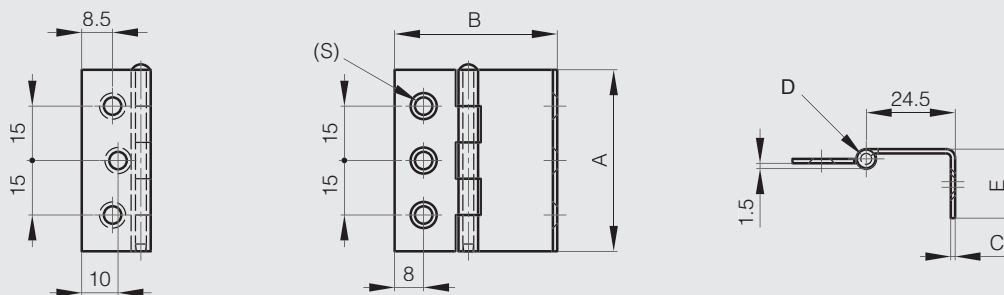
### Small butt hinge with one cranked leaf and removable pin 50 mm

Removable pin.

Door thickness: max. 20 mm.



Part number	Material	Finish	A	B	C	D	E	S	Weight (g)
62-1-3301	430 stainless steel	polished	50	44.8	1.2	3	19	4.8	33

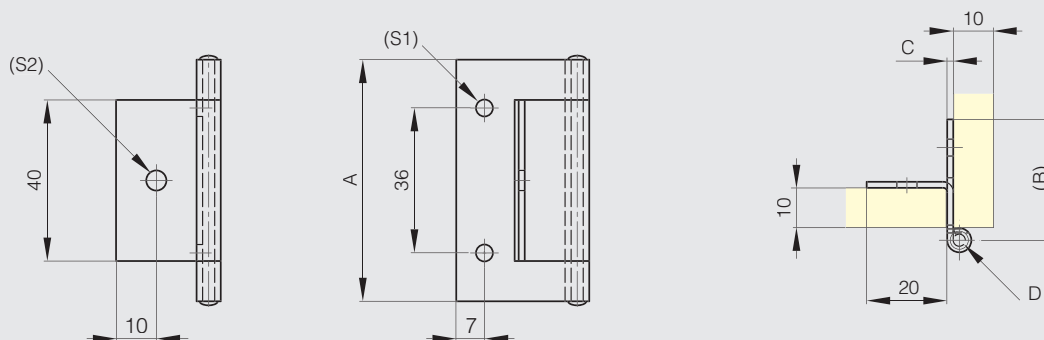


### Small butt hinge with one cranked leaf 60 mm

The same hinge is available with a spring (part number 71-1-3622).



Part number	Material	Finish	A	B	C	D	S1	S2	Weight (g)
62-1-3625	316L stainless steel	brightened	60	30	1.5	3	4.2	5	40



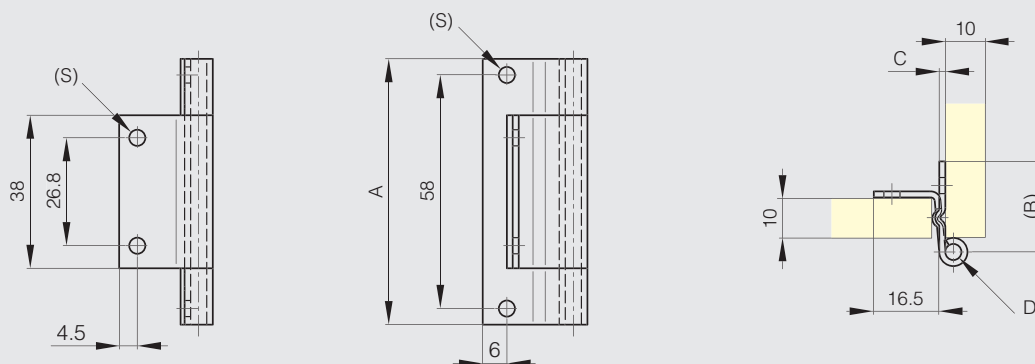
### Small butt hinge with one cranked leaf 66 mm

The same hinge is available with a spring (part number 71-1-3649).

Pin in 316 stainless steel.



Part number	Material	Finish	A	B	C	D	S	Weight (g)
62-1-3637	316 stainless steel	brightened	66	22.5	1.5	4	4	310

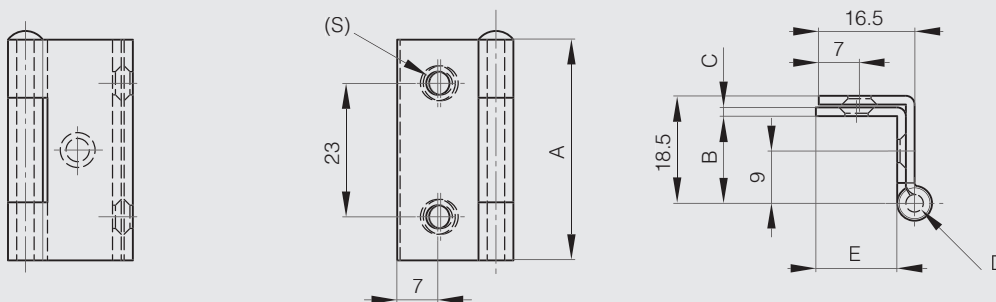


### Small butt hinge with two cranked leaves and removable pin 38 x 18.5 mm

304 stainless steel removable pin.



Part number	Material	Finish	A	B	C	D	E	S	Weight (g)
63-1-3300	brass	chrome plated	38	15	1.5	3	14	4	36

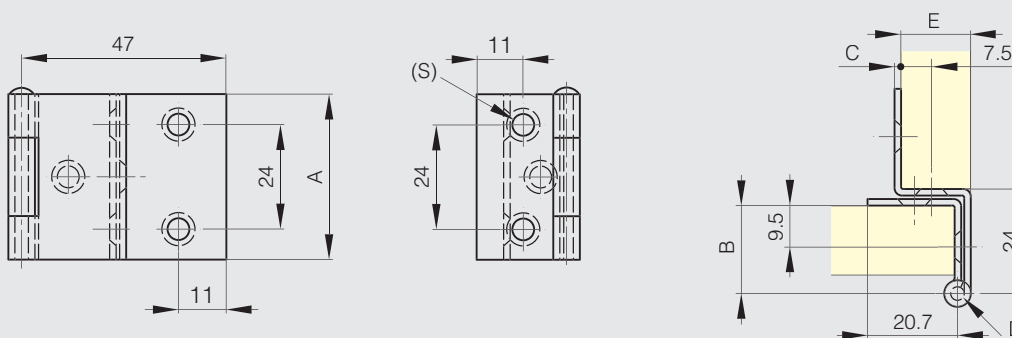


### Small butt hinge with two cranked leaves and removable pin 38 x 47 mm

Removable pin in nickel plated steel.



Part number	Material	Finish	A	B	C	D	E	S	Weight (g)
60-1-3555	steel	chrome plated	38	20.2	1.5	3	16	5	50

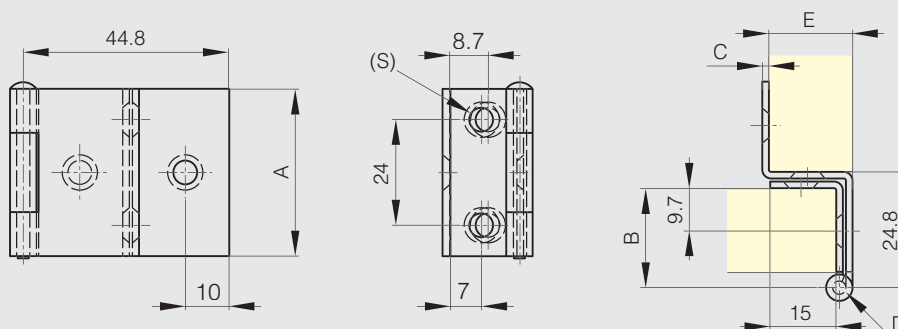


### Small butt hinges with two cranked leaves and removable pin 38 x 44.8 mm

Removable pin in nickel plated steel.



Part number	Material	Finish	A	B	C	D	E	S	Weight (g)
60-1-3523	steel	chrome plated	38	22.6	1.5	3	19	5.4	52
60-1-3796	steel	black cataphoresis	38	22.6	1.5	3	19	5.4	52

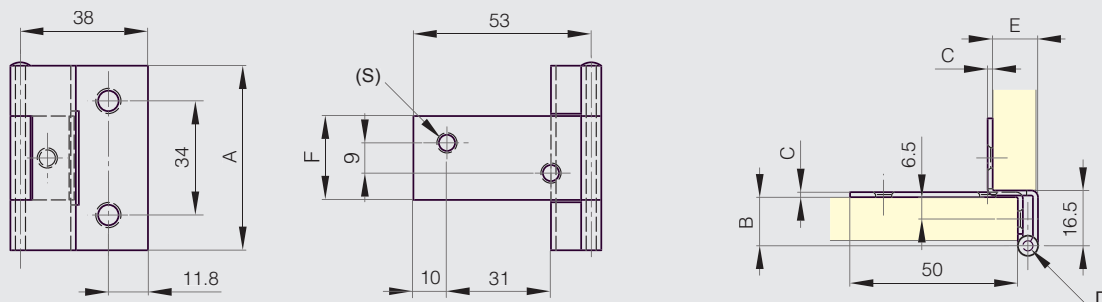


### Small butt hinges with two cranked leaves and removable pin 55 x 38 mm

Removable pin.



Part number	Material	Finish	A	B	C	D	E	F	S	Pin material	Weight (g)
60-1-3323	steel	chrome plated	55	14.5	1.5	3	13.5	25	4	nickel plated steel	56
60-1-3325	steel	brass	55	14.5	1.5	3	13.5	25	4	brass plated steel	56

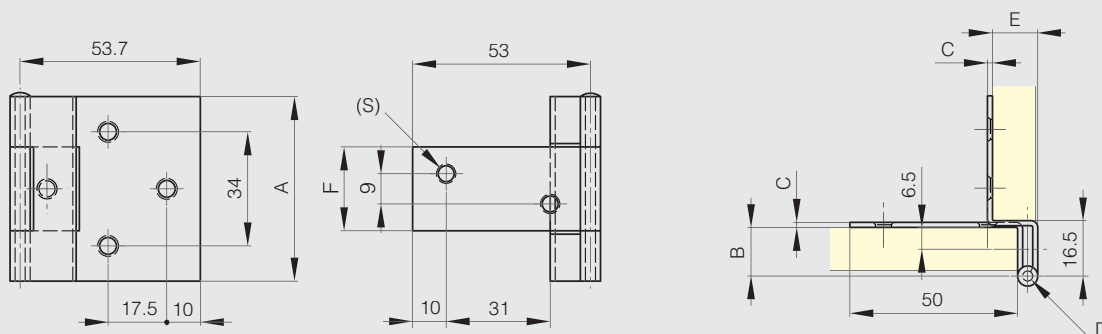


### Small butt hinges with two cranked leaves 55 x 53.7 mm

Removable pin.



Part number	Material	Finish	A	B	C	D	E	F	S	Pin material	Note	Weight (g)
60-1-3303	steel	chrome plated	55	14.5	1.5	3	13.5	25	4.75	nickel plated steel	removable pin	65

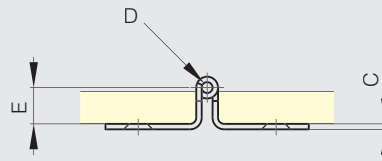
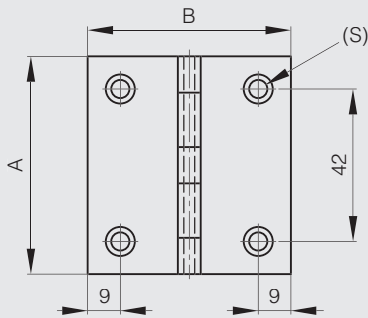


## Cranked hinges

### Small butt hinges with two cranked leaves 60 mm



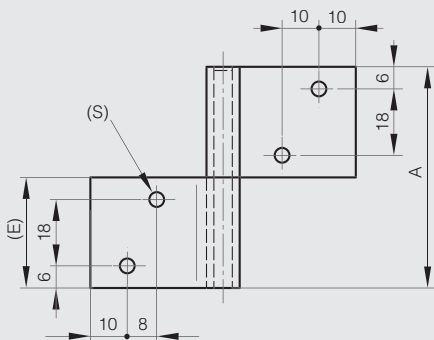
Part number	Material	Finish	A	B	C	D	E	S	Weight (g)
60-1-3620	steel	zinc plated	60	56	1.5	3	10	5	59



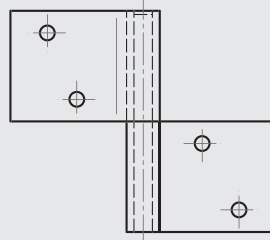
### Pin hinge with one cranked leaf



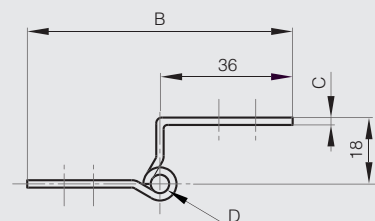
Part number	Material	Finish	A	B	C	D	E	S	Note	Weight (g)
12-1-3682	304 stainless steel	raw	60	72	2	5	30	4	type 2	70
12-1-3683	304 stainless steel	raw	60	72	2	5	30	4	type 1	70



12-1-3683



12-1-3682

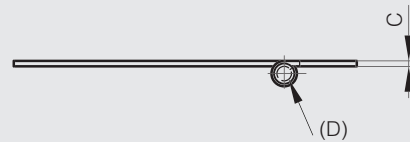
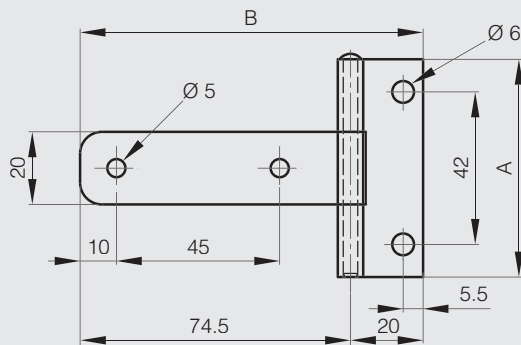


### Stainless steel hinge with removable pin

Removable pin.



Part number	Material	Finish	A	B	C	D	Weight (g)
52-1-3877	304 stainless steel	brightened	60	94.5	1.5	4	50

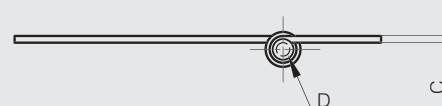
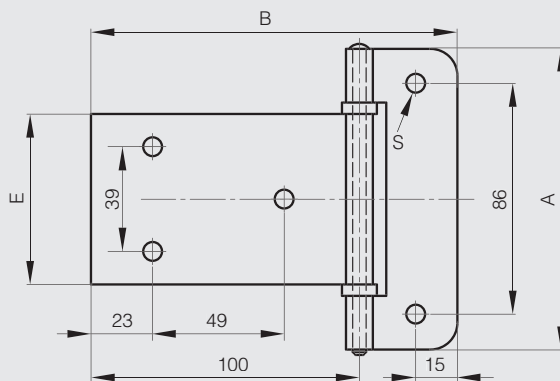


### Removable pin hinges with nylon washers

Nylon washers.



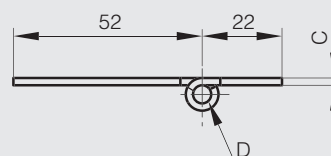
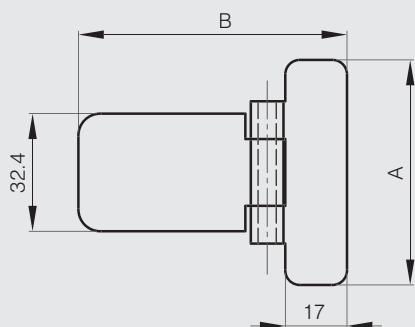
Part number	Material	Finish	A	B	C	D	E	S	Note	Weight (g)
50-1-3315	steel	raw	112	136.5	2.5	5	63.5		undrilled	244
52-1-3605	304 stainless steel	raw	112	136.5	2.5	5	63.5		undrilled	248
52-1-3606	304 stainless steel	raw	112	136.5	2.5	5	63.5	7	drilled	248



### Hinges 62 x 74 mm



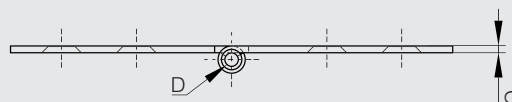
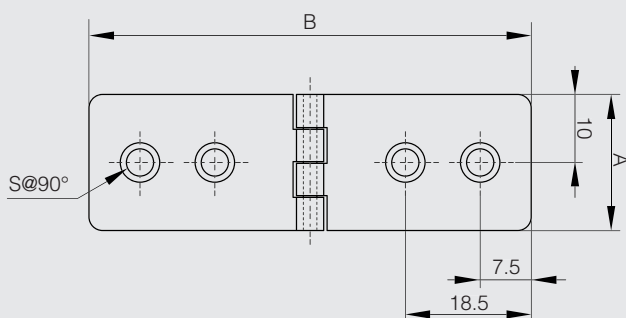
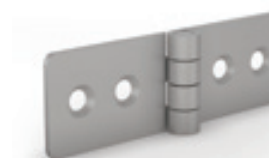
Part number	Material	Finish	A	B	C	D	Weight (g)
50-1-3308	steel	raw	62	74	2	4.9	54
52-1-3769	304 stainless steel	raw	62	74	2	4.9	54



### Hinge 20 x 65 mm



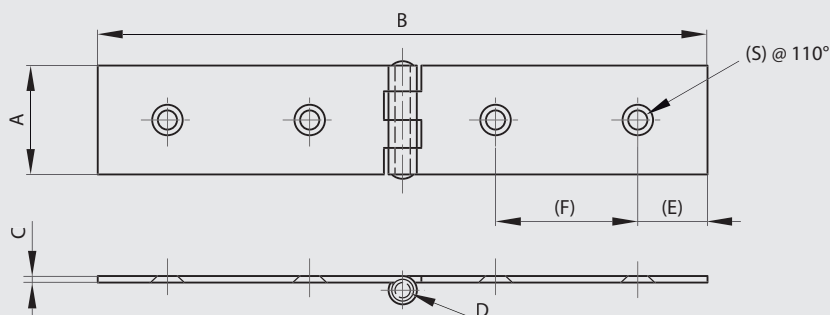
Part number	Material	Finish	A	B	C	D	S	Weight (g)
52-1-4013	304 stainless steel	raw	20	65	1	2	4	11



### Hinges 20 x 77mm and 22 x 120 mm



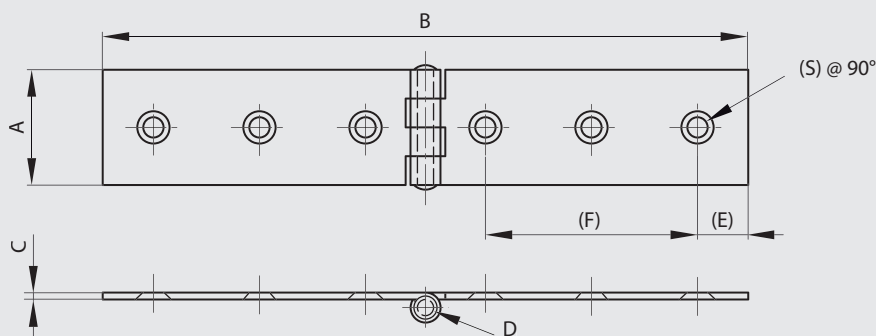
Part number	Material	Finish	A	B	C	D	E	F	S	Weight (g)
50-7-3736	steel	raw	20	77	1.2	3	10	16	3.2	22
50-7-3737	steel	raw	22	120	1.5	5	13.5	30	4.6	36



### Hinge 25 x 140 mm



Part number	Material	Finish	A	B	C	D	E	F	S	Note	Weight (g)
50-7-3880	steel	raw	25	140	1.5	3.5	11	46	3.5	riveted pin	45



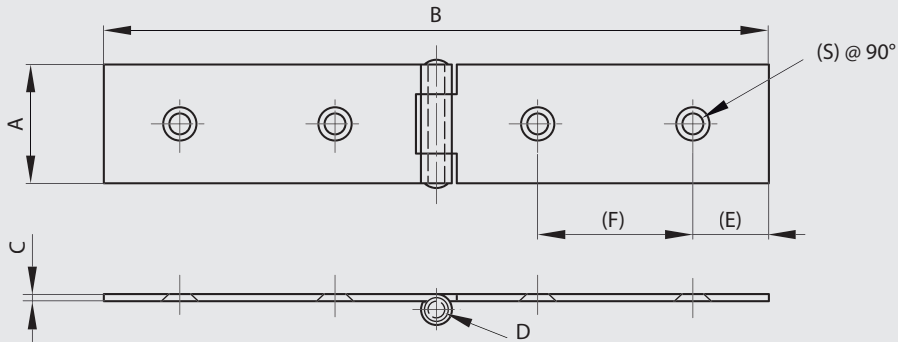


### Hinges 30 x 140 mm

Available drilled or undrilled depending on part numbers.



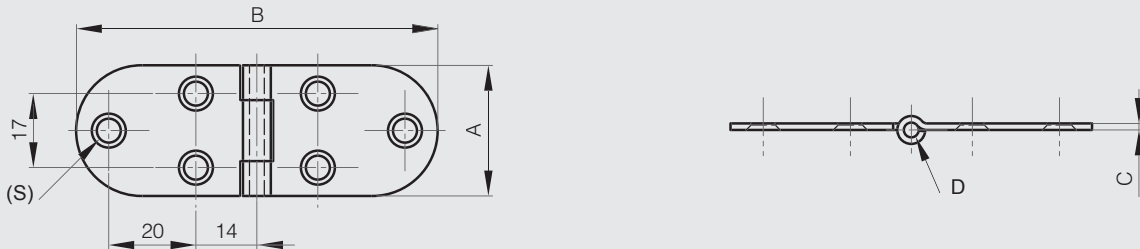
Part number	Material	Finish	A	B	C	D	E	F	S	Note	Weight (g)
50-7-3343	steel	raw	30	140	2.5	6				undrilled	95
50-7-3339	steel	zinc plated	30	140	2.5	6	12.5	35	5.2	drilled	95



### Hinge 30 x 83 mm



Part number	Material	Finish	A	B	C	D	S	Weight (g)
50-1-3313	steel	nickel plated	30	83	1.5	3.4	5.5	30

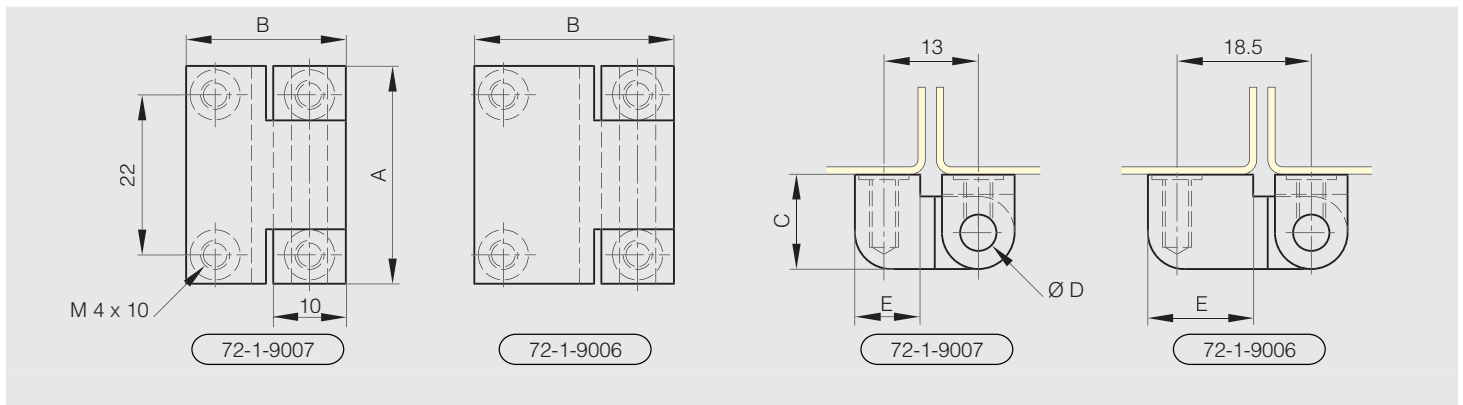


### Zinc die-cast hinges 30 mm long

Nickel plated steel pin.



Part number	Material	Finish	A	B	C	D	E	Weight (g)
72-1-9006	zinc die-cast	black	30	27.5	13	5	14.5	60
72-1-9007	zinc die-cast	black	30	22	13	5	9	42

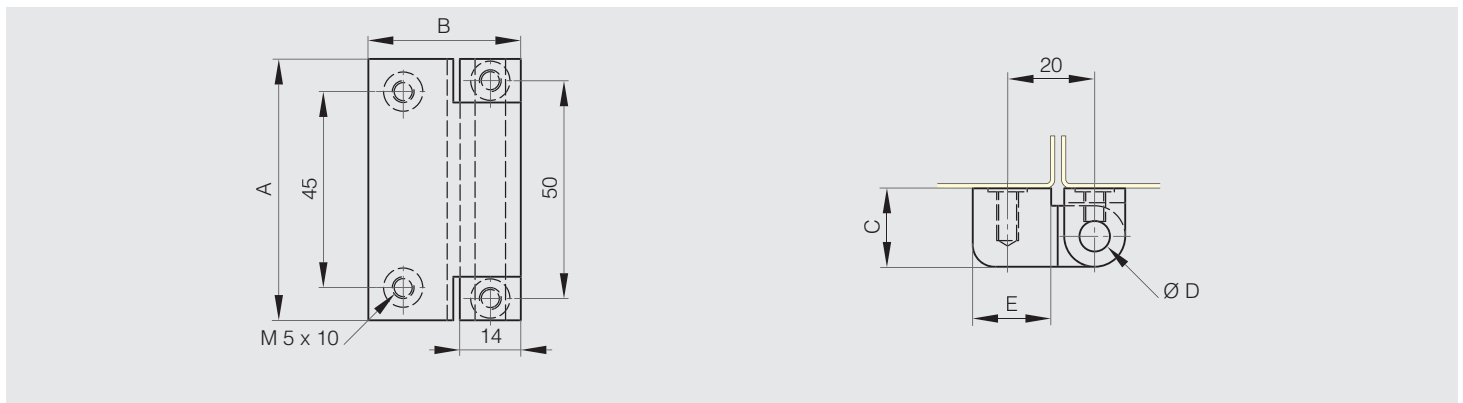


### Zinc die-cast hinge 60 mm long

Nickel plated steel pin.



Part number	Material	Finish	A	B	C	D	E	Weight (g)
72-1-9005	zinc die-cast	black	60	35	18	7	18	170



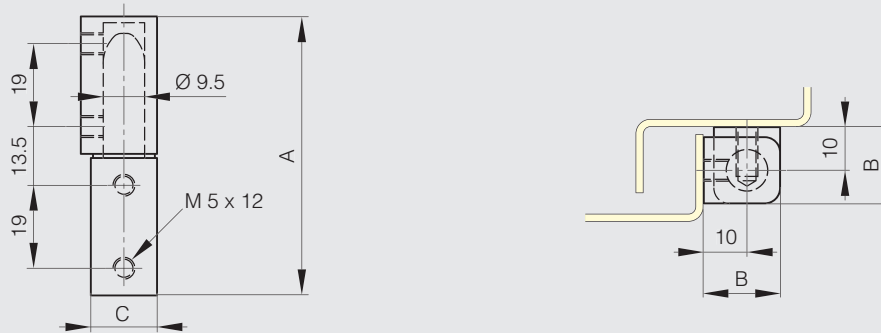


### Zinc die-cast pin hinge for surface mounted door A

Nylon washer.



Part number	Material	Finish	A	B	C	Weight (g)
72-1-9004	zinc die-cast	black	64	17.5	15	76

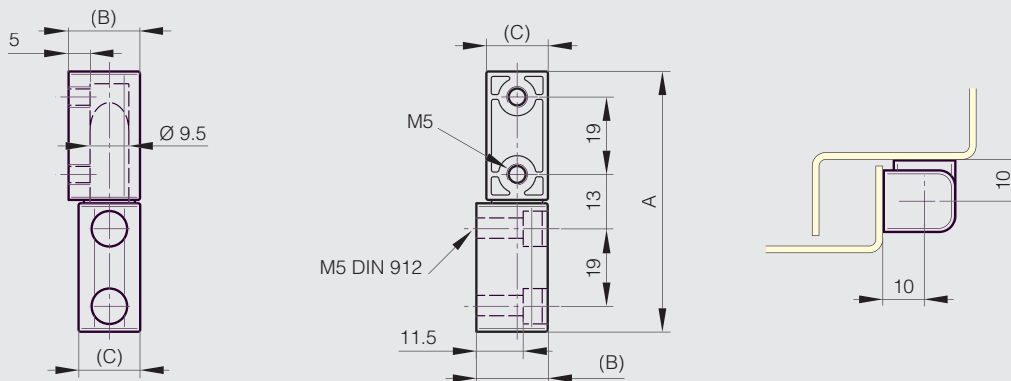


### Zinc die-cast pin hinge for surface mounted door B

For M5 screw.



Part number	Material	Finish	A	B	C	Weight (g)
72-7-4168	zinc die-cast	black	63.5	17.5	15.1	80

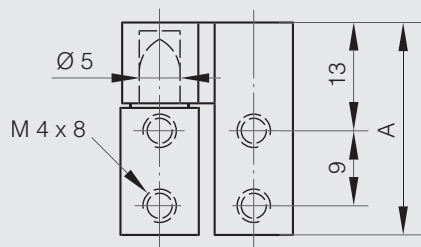


### Zinc die-cast lift-off hinges 25.5 mm

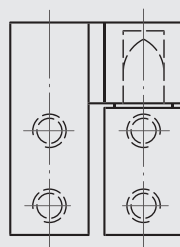
Nylon washer.



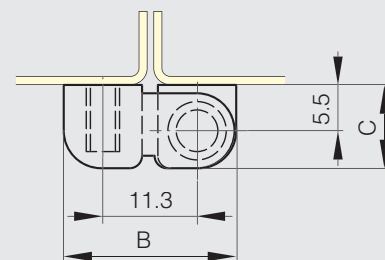
Part number	Material	Finish	A	B	C	Note	Weight (g)
72-1-4206	zinc die-cast	black	25.5	20.5	10	type 2	30
72-1-4207	zinc die-cast	black	25.5	20.5	10	type 1	30



72-1-4207



72-1-4206

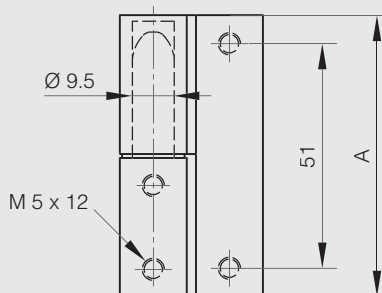


### Zinc die-cast lift-off hinges 64 x 33 mm

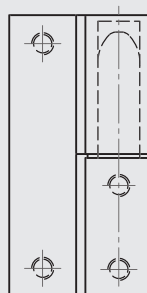
Nylon washer.



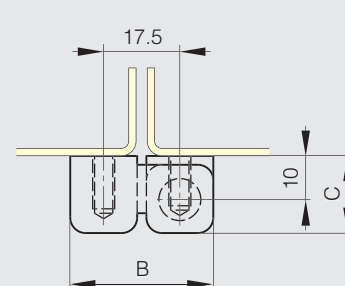
Part number	Material	Finish	A	B	C	Note	Weight (g)
72-1-9000	zinc die-cast	black	64	33	17.5	type 2	140
72-1-9001	zinc die-cast	black	64	33	17.5	type 1	140



72-1-9001



72-1-9000



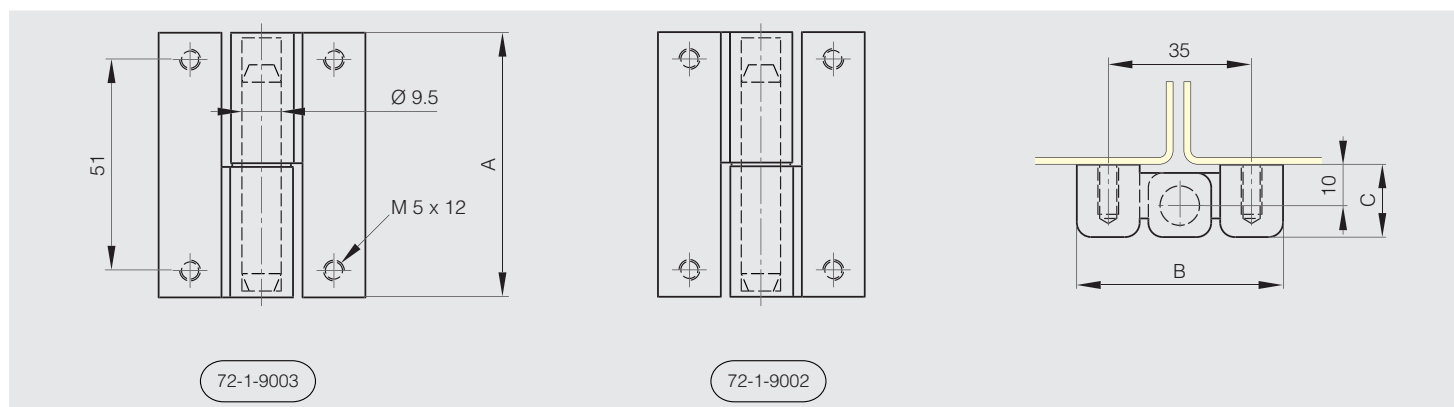
### Zinc die-cast lift-off hinges 64 x 50 mm

Nylon washer.

Steel pin.



Part number	Material	Finish	A	B	C	Note	Weight (g)
72-1-9002	zinc die-cast	black	64	50	17.5	type 2	230
72-1-9003	zinc die-cast	black	64	50	17.5	type 1	230



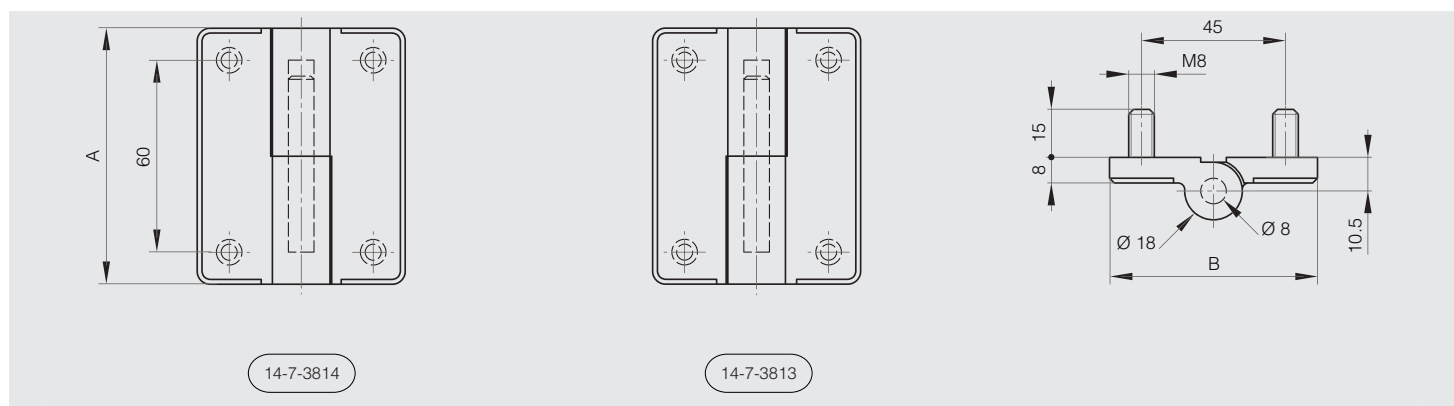
### Zinc die-cast lift-off hinges 80 mm

Fixing by 2 threaded studs. Stainless steel pin.

Leaves blocked with grub screw. Unscrew it to get a lift-off hinge.



Part number	Material	Finish	A	B	C	D	G	Note	Weight (g)
14-7-3813	zinc die-cast	black	80	65	8	8	60	type 2	330
14-7-3814	zinc die-cast	black	80	65	8	8	60	type 1	330

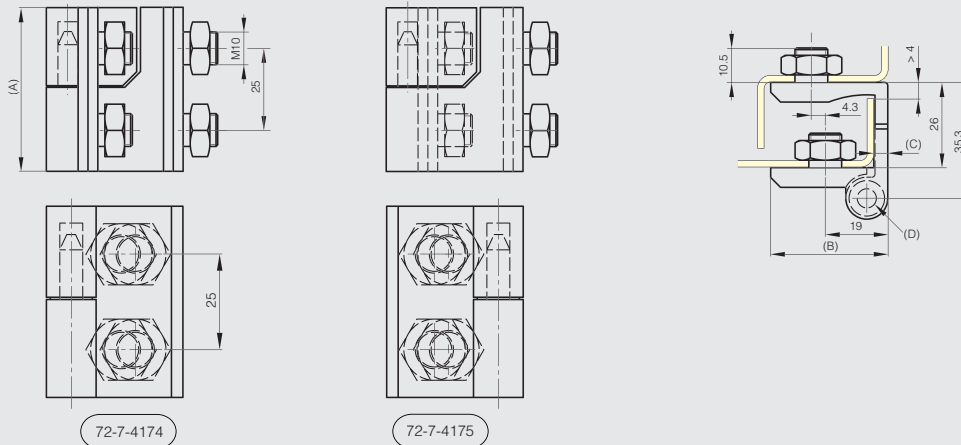


### Lift-off hinges for surface mounted door

A full product data sheet is available on our website.



Part number	Material	Finish	A	B	C	D	Note	Weight (g)
72-7-4174	zinc die-cast	black	50	35.7	4	6.4	type 1	230
72-7-4175	zinc die-cast	black	50	35.7	4	6.4	type 2	230

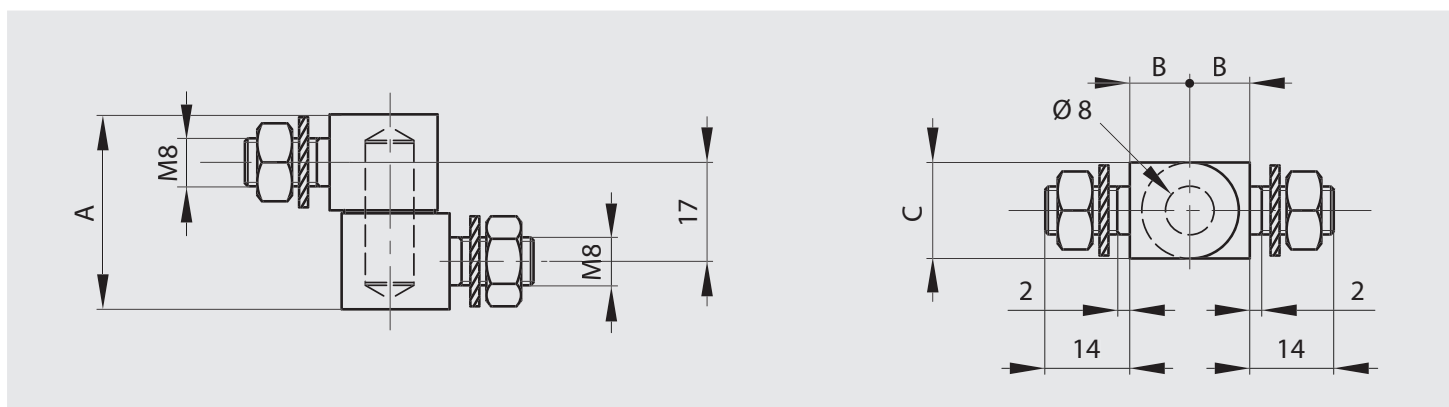
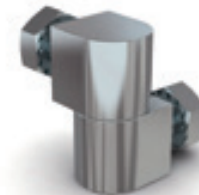


### Bolt-on hinges in 2 parts

With solid brass pin and zinc plated brass washers.



Part number	Material	Finish	A	B	C	Weight (g)
72-1-3858	steel	zinc plated	33	10	16	87

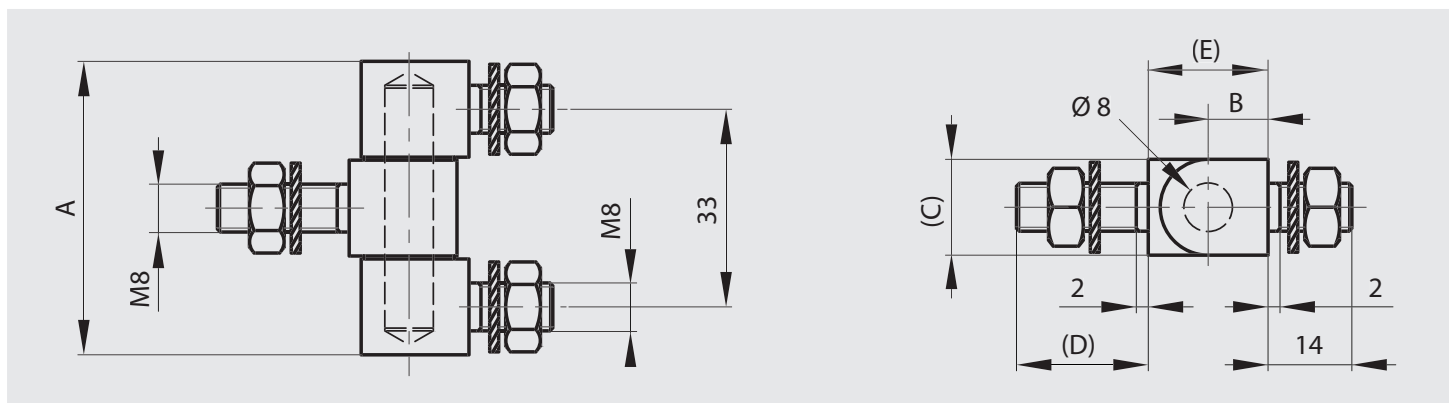


### Bolt-on hinges in 3 parts - 49 mm long

With solid brass pin and zinc plated brass washers.



Part number	Material	Finish	A	B	C	D	E	Weight (g)
72-1-3733	steel	zinc plated	49	10	16	22	20	130
72-1-3857	steel	zinc plated	49	10	16	14	22.5	130



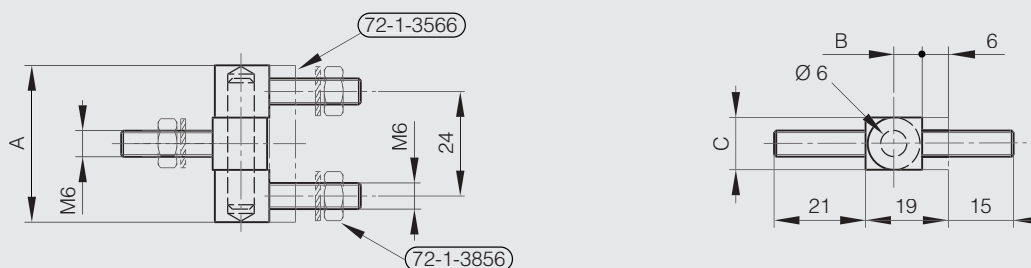


### Bolt-on hinges in 3 parts - 36 mm long

With washers and M6 bolts.



Part number	Material	Finish	A	B	C	Weight (g)
72-1-3856	steel	raw	36	6.5	12	70

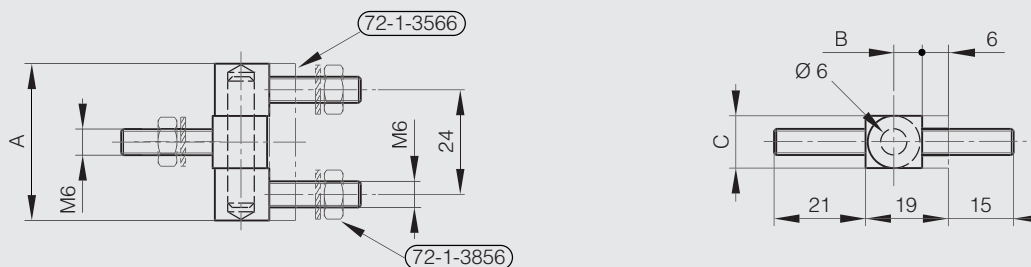


### Bolt-on hinges in 3 parts with plate

No washers and no bolts.



Part number	Material	Finish	A	B	C	Weight (g)
72-1-3566	steel	raw	36	6.5	12	63

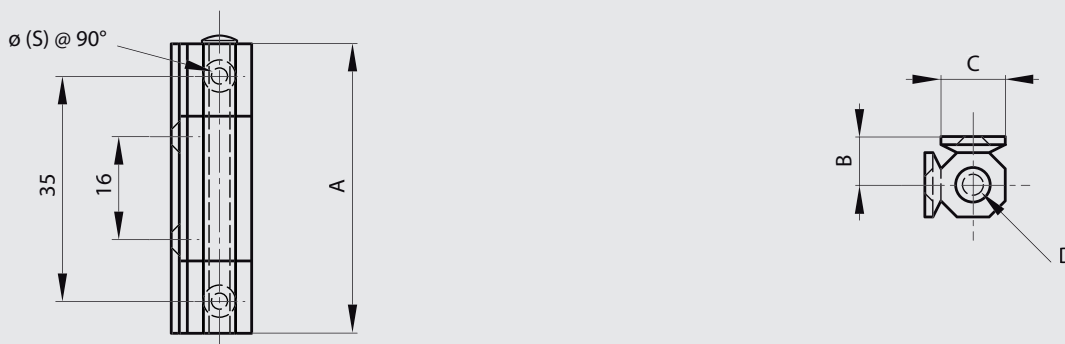


### Brass hinge with removable pin - 3 knuckles

Removable pin in nickel plated steel.



Part number	Material	Finish	A	B	C	D	S	Weight (g)
72-7-3330	brass	chrome plated	45	7.5	10	3.9	2.5	40

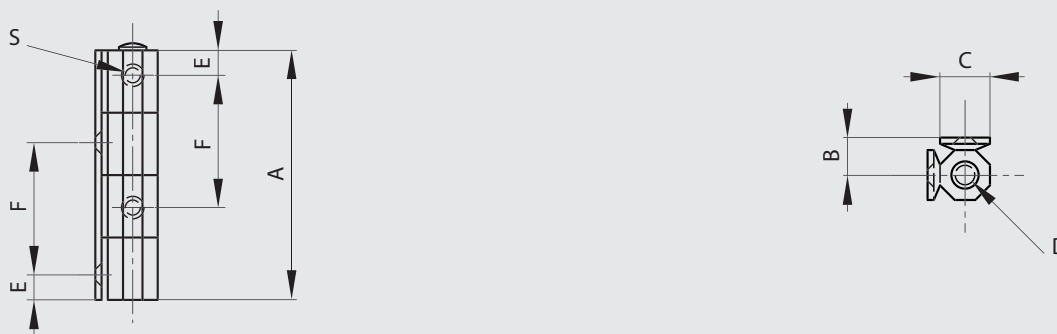


### Brass hinges with removable pin - 4 knuckles

Removable pin.



Part number	Material	Finish	A	B	C	D	E	F	S	Pin material	Weight (g)
72-7-3329	brass	chrome plated	40	7.5	10	3.9	5	20	3	nickel plated steel	30
72-7-3331	brass	chrome plated	50	7.5	10	3.9	5	26.5	3	nickel plated steel	50
72-7-3332	brass	chrome plated	80	12	16	7	9.6	40	4.5	chrome plated brass	190

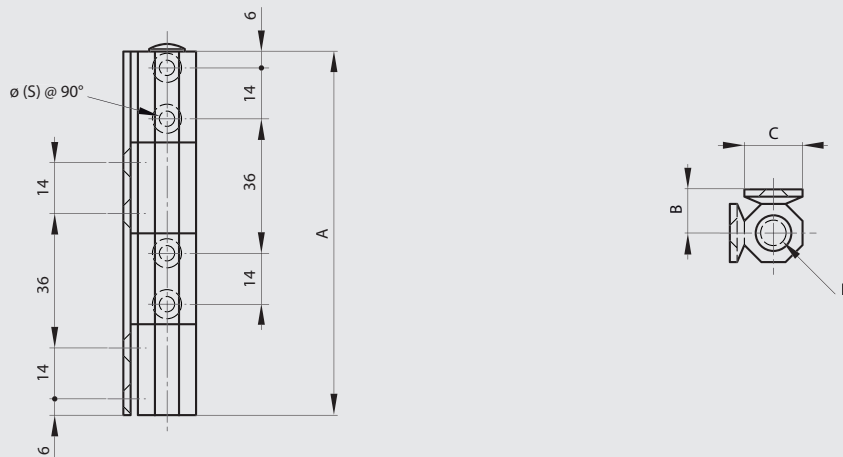


### Large brass hinge with removable pin - 4 knuckles

Removable pin in chrome plated brass.



Part number	Material	Finish	A	B	C	D	S	Weight (g)
72-7-3333	brass	chrome plated	100	12	16	7	5	235.7

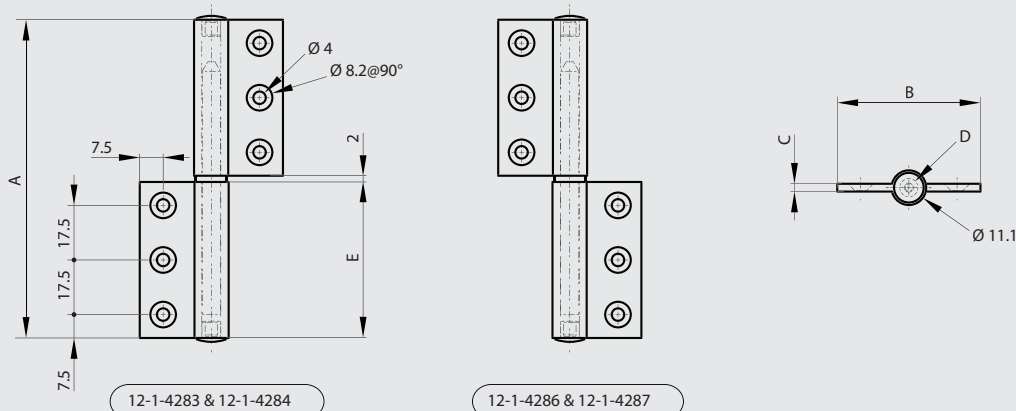


### Lift-off hinges in aluminium profile with a stainless steel pin



Stainless steel pin.  
Supplied with polymer caps.

Part number	Material	Finish	A	B	C	D	E	Note	Weight (g)
<b>NEW</b> 12-1-4283	6060 T5 alu	clear anodised	102	45.9	2.5	6.1	50	type 1	50
<b>NEW</b> 12-1-4286	6060 T5 alu	clear anodised	102	45.9	2.5	6.1	50	type 2	50
<b>NEW</b> 12-1-4284	6060 T5 alu	black anodised	102	45.9	2.5	6.1	50	type 1	50
<b>NEW</b> 12-1-4287	6060 T5 alu	black anodised	102	45.9	2.5	6.1	50	type 2	50

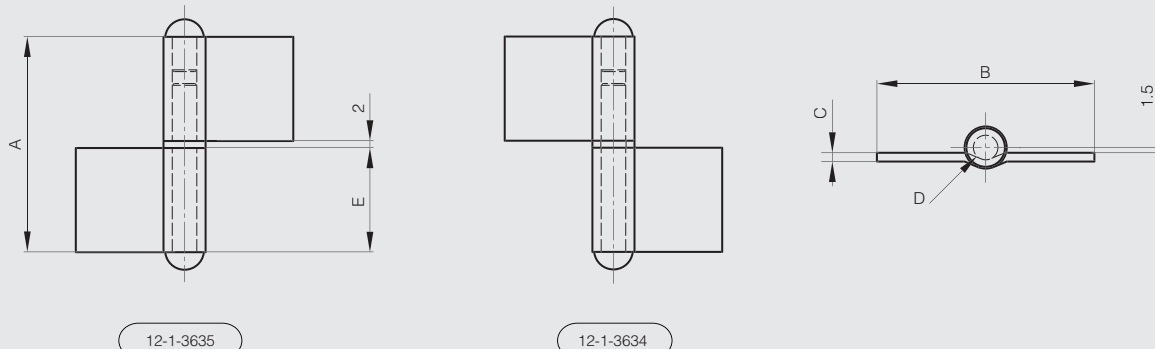


### Flag hinge with washer - 62 x 62 mm



Flag hinge with brass washer.

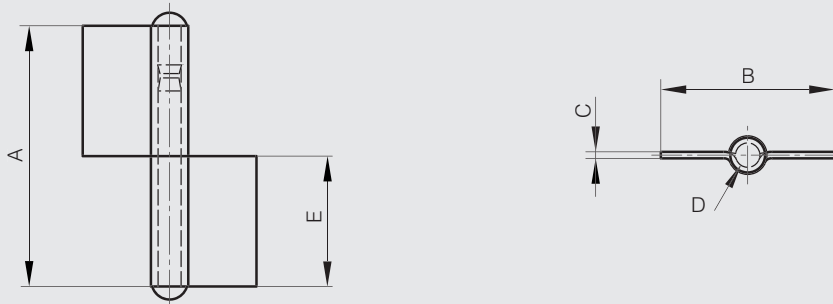
Part number	Material	Finish	A	B	C	D	E	Note	Weight (g)
12-1-3634	steel	raw	62	62	2.5	7	30	type 2	87
12-1-3635	steel	raw	62	62	2.5	7	30	type 1	87



### Flag hinge without washer with two offset leaves



Part number	Material	Finish	A	B	C	D	E	Weight (g)
12-1-3303	steel	raw	60	40	1.5	5.3	30	38
12-1-3849	steel	raw	80	40	1.5	5.3	40	51
12-1-3304	steel	raw	80	50	2	6	40	74
12-1-3769	304 stainless steel	raw	60	40	1.5	5.3	30	38
12-1-3770	304 stainless steel	raw	80	48	2	6	40	74

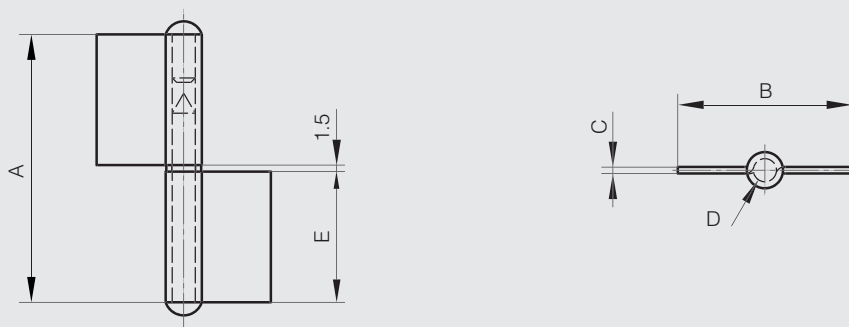


### Flag hinge with washer with two offset leaves

Flag hinge with brass washer, included separately.



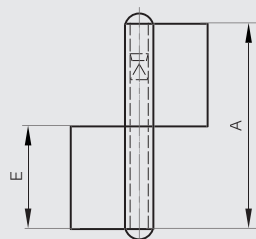
Part number	Material	Finish	A	B	C	D	E	Weight (g)
12-1-3305	steel	raw	61.5	40	1.5	5.3	30	39
12-1-3306	steel	raw	81.5	50	2	5.8	40	75
12-1-3771	304 stainless steel	raw	61.5	40	1.5	5.3	30	39
12-1-3772	304 stainless steel	raw	81.5	48	2	5.8	40	75



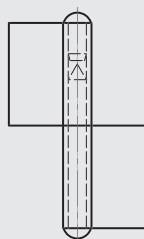
### Flag hinge without washer - flat knuckle



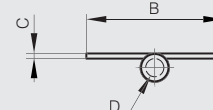
Part number	Material	Finish	A	B	C	D	E	Note	Weight (g)
12-1-3307	steel	raw	60	40	1.5	5.3	30	type 2	39
12-1-3308	steel	raw	60	40	1.5	5.3	30	type 1	39
12-1-3309	steel	raw	80	48	2	5.8	40	type 2	76
12-1-3310	steel	raw	80	48	2	5.8	40	type 1	76



12-1-3308 & 12-1-3310



12-1-3307 & 12-1-3309

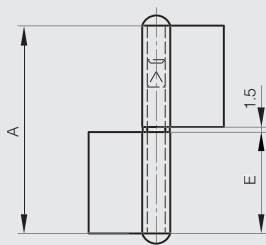


### Flag hinge with washer - flat knuckle

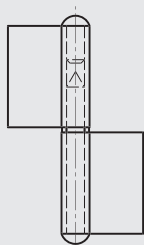
Flag hinge with brass washer, included separately.



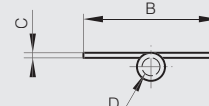
Part number	Material	Finish	A	B	C	D	E	Note	Weight (g)
12-1-3311	steel	raw	61.5	40	1.5	5.3	30	type 2	40
12-1-3312	steel	raw	61.5	40	1.5	5.3	30	type 1	40
12-1-3313	steel	raw	81.5	48	2	5.8	40	type 2	77
12-1-3314	steel	raw	81.5	48	2	5.8	40	type 1	77



12-1-3312 & 12-1-3314



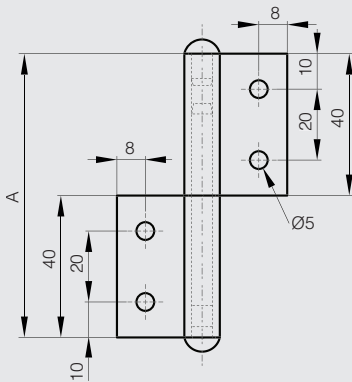
12-1-3311 & 12-1-3313



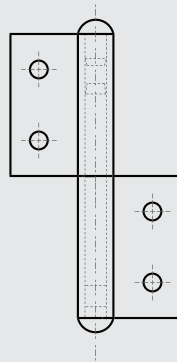
### Flag hinge without washer - drilled - flat knuckle



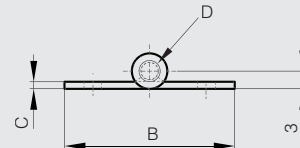
Part number	Material	Finish	A	B	C	D	Note	Weight (g)
<b>NEW</b> 12-1-4258	304 stainless steel	raw	80	48	2	6	type 1	76
<b>NEW</b> 12-1-4285	304 stainless steel	raw	80	48	2	6	type 2	76



12-1-4258



12-1-4285

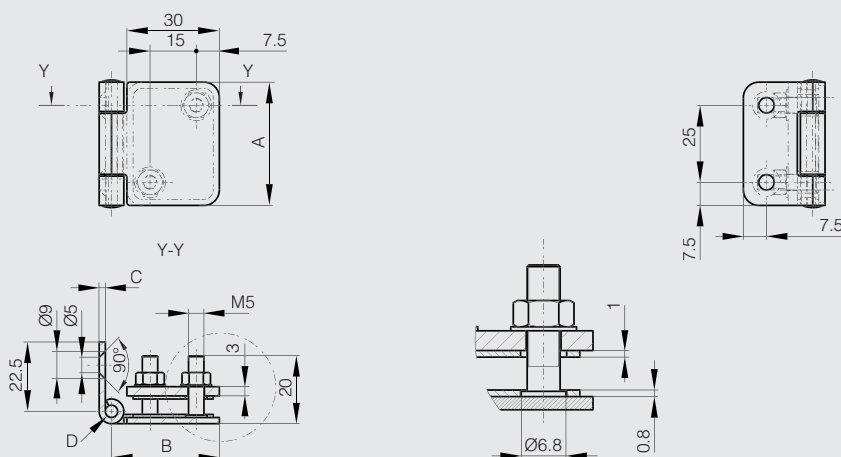


### Glass door hinge in brushed stainless steel



Supplied with EPDM gasket.  
Included stainless steel bolts and stainless steel washers.

	Part number	Material	Finish	A	B	C	D	Weight (g)
<b>NEW</b>	<b>52-1-4040</b>	304 stainless steel	brushed	40	35	2	4	80

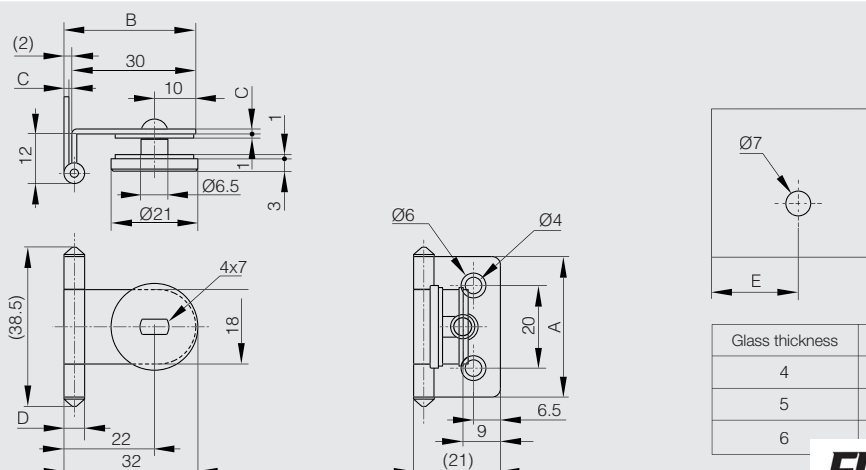


### Glass door hinge in stainless steel



Hinge for glass / acrylic doors (PMMA).  
Door thickness: 4 - 6 mm.  
Door weight: max. 4 kg / pair.  
Leaves, pin and screw in 304 stainless steel. Plate in aluminium alloy, washer in chloroethylene.

Part number	Material	Finish	A	B	C	D	Weight (g)
<b>72-7-4254</b>	304 stainless steel	raw	34	32	1.2	5	15





### Glass door hinge in brass



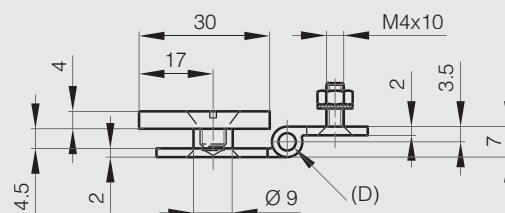
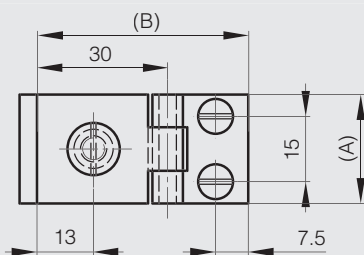
Hinge delivered in separate parts including:

- Brass hinge 25 x (30 + 18.5).
- Brass plate 25 x 30.
- Countersunk screw M6 and connector in brass.
- 2 countersunk screws M4 x 10 in steel.
- 2 brown steel washers.
- 2 M4 steel bolts.

Glass thickness: 5mm max.



Part number	Material	Finish	A	B	D	Pin material	Weight (g)
72-1-3753	brass	black zinc plated	25	48.5	4	stainless steel	53



### Tube hinge



Part number	Material	Finish	A	B	C	Note	Weight (g)
70-1-3526	steel	zinc plated	164	16.9	49	no stop	100

